

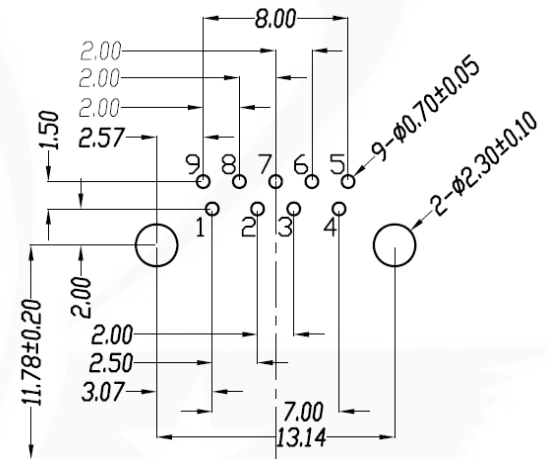
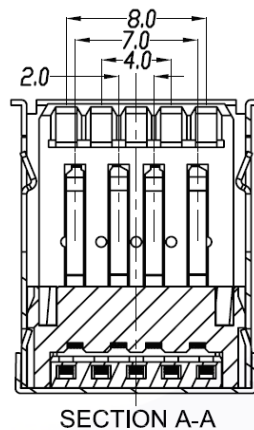
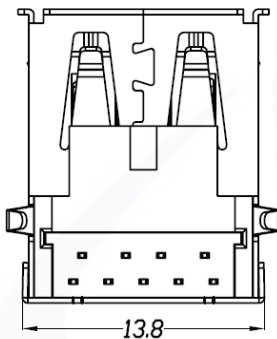
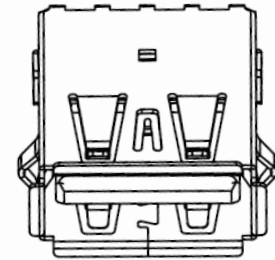
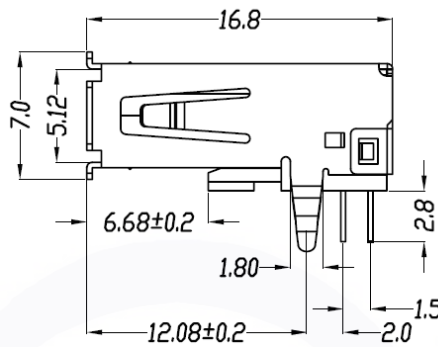
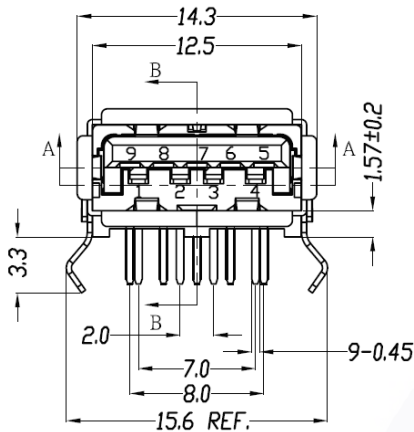
USB CONNECTOR 3.0, FOR PCB, A TYPE, FEMALE, 9 PINS, DIP, RIGHT ANGLE

Material

Housing: PBT G.F. , Blue
 Contact: Phosphor Bronze, Gold/Tin Plated
 Shell: Nickel plated.

Electrical

Contact Resistance: The Pin 1, Pin 4, mated plug connectors, 30M ohms Max.
 Other Pins, mated plug connectors, 50M ohms Max.
 Insulation Resistance: 100M ohms Min. At 500V DC.
 Contact Current Rating: 1.8 AMP. Min.
 Voltage Rating: 500V AC for 1 minute.
 Dielectric Withstanding Voltage: 500V AC for 1 minute.
 Durability(Life Test, Before): Insertion Force: 35N Max.
 Extraction Force: 10N Min.
 Durability(Life Test, Before): 1500 cycles at 200+/- 50 cycles per hours.
 Extraction Force: 8N Min.



CONNECTOR FRONT EDGE
 REFERENCE PCB LAYOUT

Series-	Type	Style	No. Pins	Angle	Deck	Color	Plating	Packing-	Option-	Status-
U3P	1-	[A] A TYPE [2] FEMALE	9	[R] 90°/DIP	[1] SINGLE DECK	[4] BLUE	[T1] SELECTIVE GOLD PLATED 1u" [T30] SELECTIVE GOLD PLATED 30u"	[G] BAG [X] BOX [R] REEL [U] TUBE [Y] TRAY		[R]RoHS