

IC SOCKET, PRESS PIN, PITCH 1.778, ROW SPACE 15.24, WITH BEAM

Material and Finish

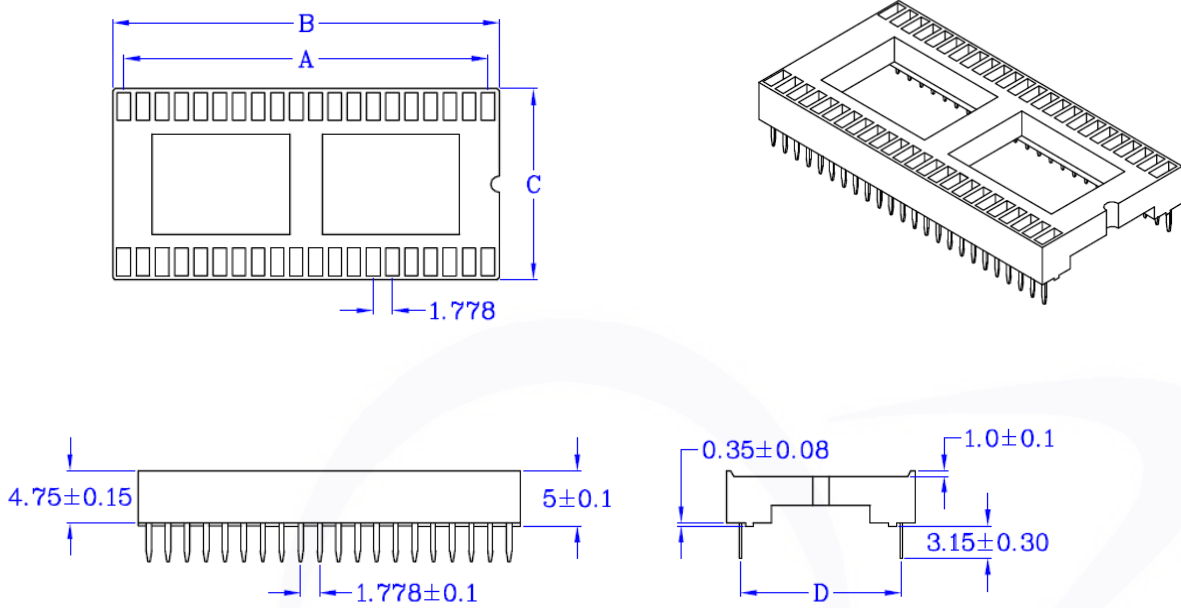
Insulator: PBT, UL 94V-0
 Contact: Phosphor Bronze, Thickness 0.17mm
 Contact Plated: Sn-Cu plated
 Operating Temperature: -25°C ~ +85°C

Electrical

Contact Current Rating: 1 AMP.
 Contact Resistance: 30M ohms Max.
 Insulator Resistance: 5000M ohms Min.
 Dielectric Withstanding: 1000V AC RMS for 1 minute.

Mechanical

Insertion Force: 340g Max/ Pin
 Extraction Force: 14.5g Min/ Pin



CONTACTS	A±0.20	B±0.20	C±0.20	D±0.20
40	33.78	35.56	17.70	15.24
42	35.56	37.34		
48	40.89	42.67		
52	44.45	46.23		
54	46.23	48.01		
56	48.01	49.78		
58	49.78	51.56		
60	51.56	53.34		
62	53.34	55.12		
64	55.12	56.90		

Series	Pitch	Row	No. of Pin	Beam	Thickness of Pin	Plating	Packing	Status
IC-	[1] 1.778	[3] 15.24	--	[1] W/	[2] 0.17	[T0] TIN PLATED, LIGHT TIN	[G] BAG [X] BOX [R] REEL [U] TUBE [Y] TRAY	[R] RoHS