

IC SOCKET, PRESS PIN, PITCH 2.54, ROW SPACE 15.24, WITH BEAM

Material and Finish

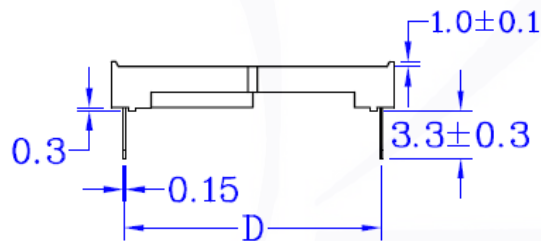
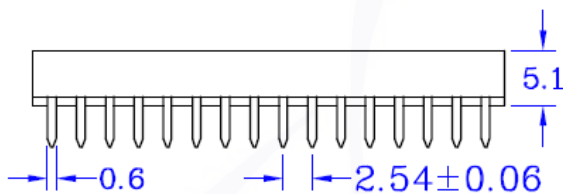
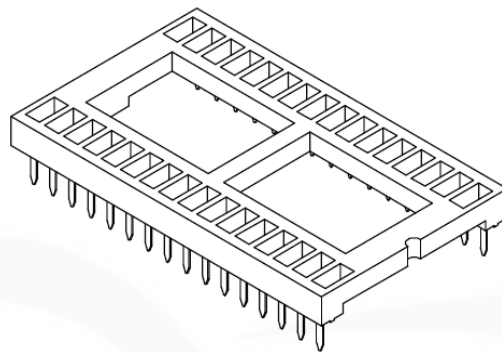
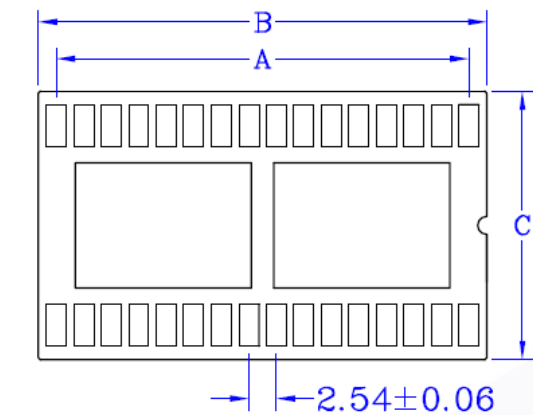
Insulator: PBT, UL 94V-0
 Contact: Phosphor Bronze, Thickness 0.15mm
 Contact Plated: Tin plated
 Operating Temperature: -25°C ~ +85°C

Electrical

Contact Current Rating: 1 AMP.
 Contact Resistance: 20M ohms Max.
 Insulator Resistance: 1000M ohms Min.
 Dielectric Withstanding: 1000V AC RMS for 1 minute.

Mechanical

Insertion Force: 340g Max/ Pin
 Extraction Force: 50g Min/ Pin



CONTACTS	A ^{+0.10} _{-0.10}	B ^{+0.12} _{-0.12}	C ^{+0.15} _{-0.15}	D ^{+0.30} _{-0.30}
24	27.94	30.38	17.68	15.24
28	33.02	35.46		
32	38.10	40.54		
40	48.26	50.70		
42	50.80	53.24		
48	58.42	60.86		

Series	Pitch	Row	No. of Pin	Beam	Thickness of Pin	Plating	Packing	Status
IC-	[2] 2.54	[3] 15.24	--	[1] W/	[1] 0.15	[T0] TIN PLATED, LIGHT TIN	[G] BAG [X] BOX [R] REEL [U] TUBE [Y] TRAY	[R] RoHS