

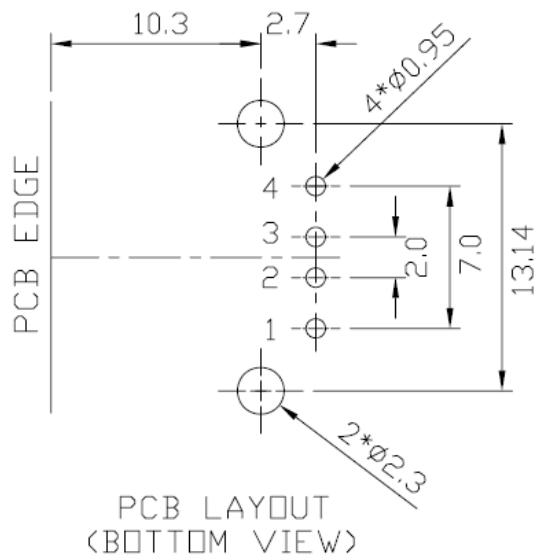
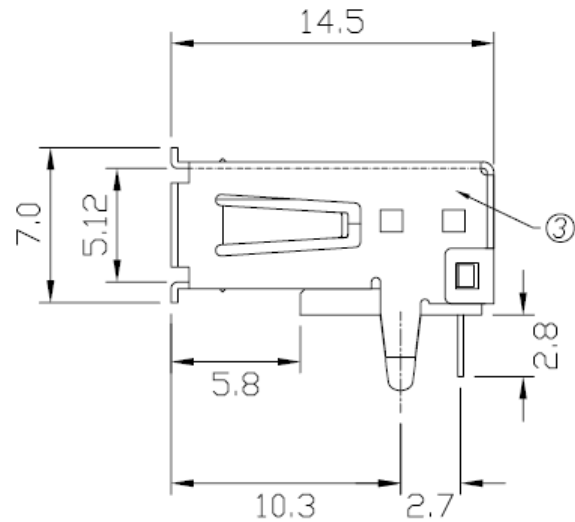
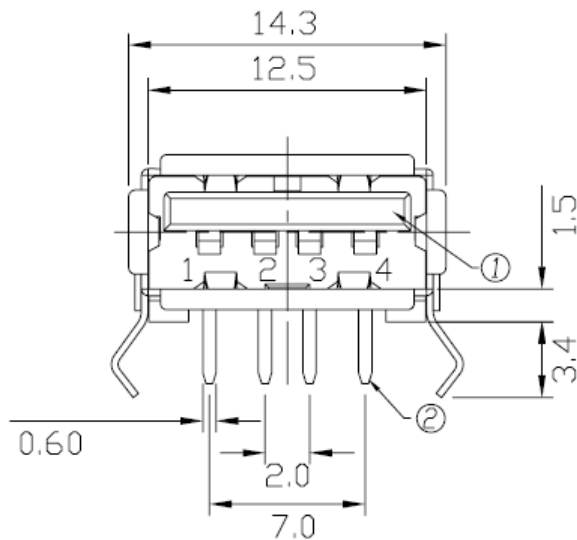
USB CONNECTOR, FOR PCB, A TYPE, FEMALE, 4 PINS, DIP, RIGHT ANGLE

Material and Finish

1. Housing: PBT G.F., White
2. Pin term: Phosphor Bronze, T=0.25, Gold/Tin Plated
3. Shell: Brass, T=0.3, Tin plated

Electrical

Contact Resistance: 30M ohms Max.
 Insulation Resistance: 1000M ohms Min. At 500V DC.
 Rated Voltage and Current: 1.5A at 250V AC Min
 Dielectric Withstanding Voltage: 750V AC for 1 minute.
 Durability(Life Test): 1500 cycles
 Insertion Force: 35 Newton Max.
 Extraction Force: 10 Newton Min.



Series-	Type	Style	No. Pins	Angle	Deck	Color	Plating	Packing-	Option-	Status-
UP-	1- [A] A TYPE	[2] FEMALE	4	[R] 90°/DIP	[1] SINGLE DECK	[1] WHITE	[T1] SELECTIVE GOLD PLATED 1u" [T30] SELECTIVE GOLD PLATED 30u"	[G] BAG [X] BOX [R] REEL [U] TUBE [Y] TRAY		[R]RoHS