

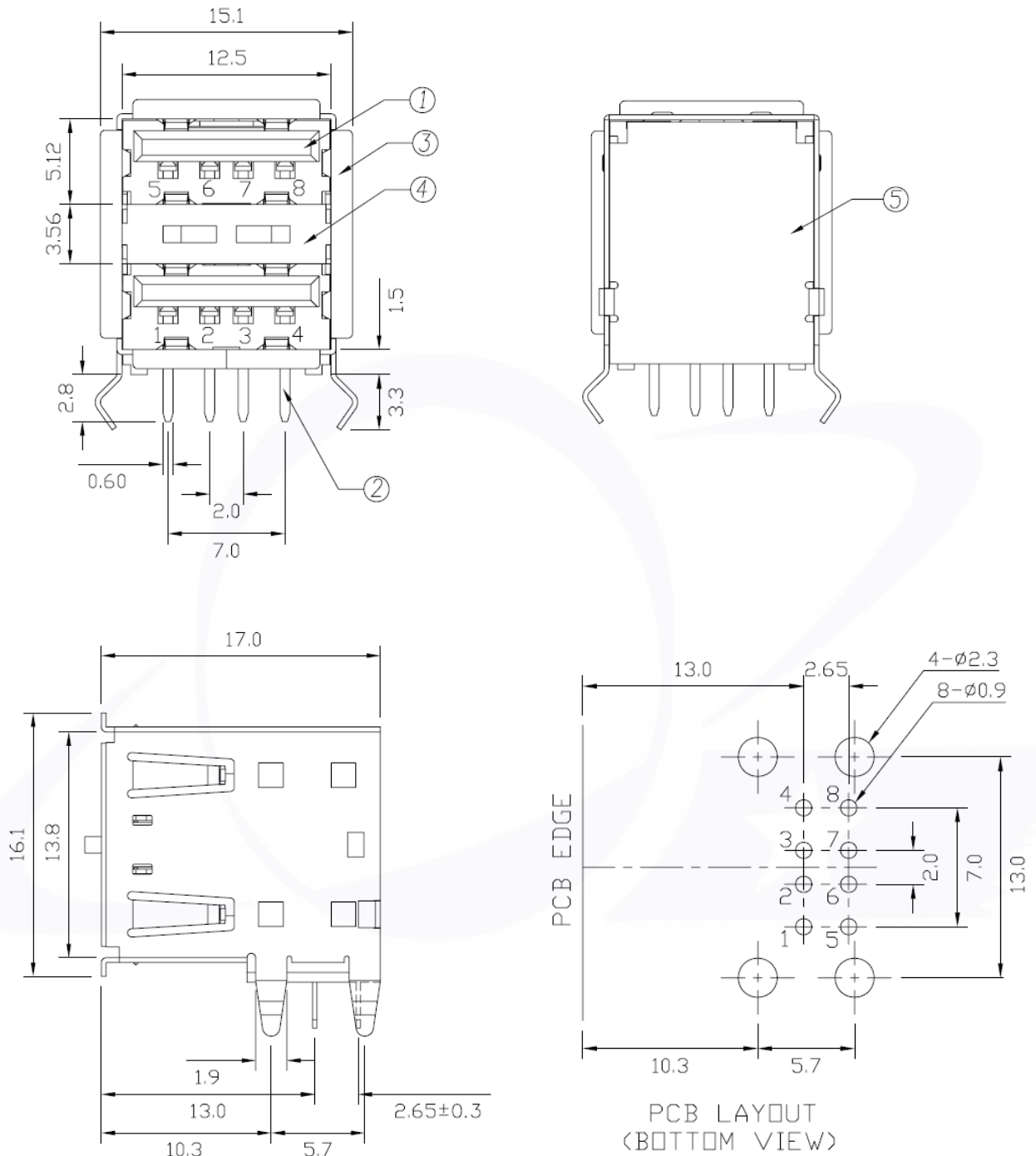
## USB CONNECTOR, FOR PCB, A TYPE, FEMALE, 8 PINS, DIP, RIGHT ANGLE, DUAL STACKS

### Material and Finish

1. Housing: Nylon PA9T, G.F., BLACK
2. Pin term: Phosphor Bronze, T=0.25, Gold/Tin Plated
3. Shell: Brass, T=0.3, Tin plated
4. Spring clip: Brass, T=0.3, Tin plated
5. Rear shell: SPCC, T=0.3, Nickel plated

### Electrical

Contact Resistance: 30M ohms Max.  
 Insulation Resistance: 1000M ohms Min. At 500V DC.  
 Rated Voltage and Current: 1.5A at 250V AC Min  
 Dielectric Withstanding Voltage: 750V AC for 1 minute.  
 Durability( Life Test): 1500 cycles  
 Insertion Force: 35 Newton Max.  
 Extraction Force: 10 Newton Min.



Series-	Type	Style	No. Pins	Angle	Deck	Color	Plating	Packing-	Option-	Status-
UP- FOR PCB	1- [A] A TYPE	[2] FEMALE	8	[R] 90°/DIP	[2] DUAL DECKS	[0] BLACK	[T1] SELECTIVE GOLD PLATED 1u" [T30] SELECTIVE GOLD PLATED 30u"	[G] BAG [X] BOX [R] REEL [U] TUBE [Y] TRAY		[R]RoHS