

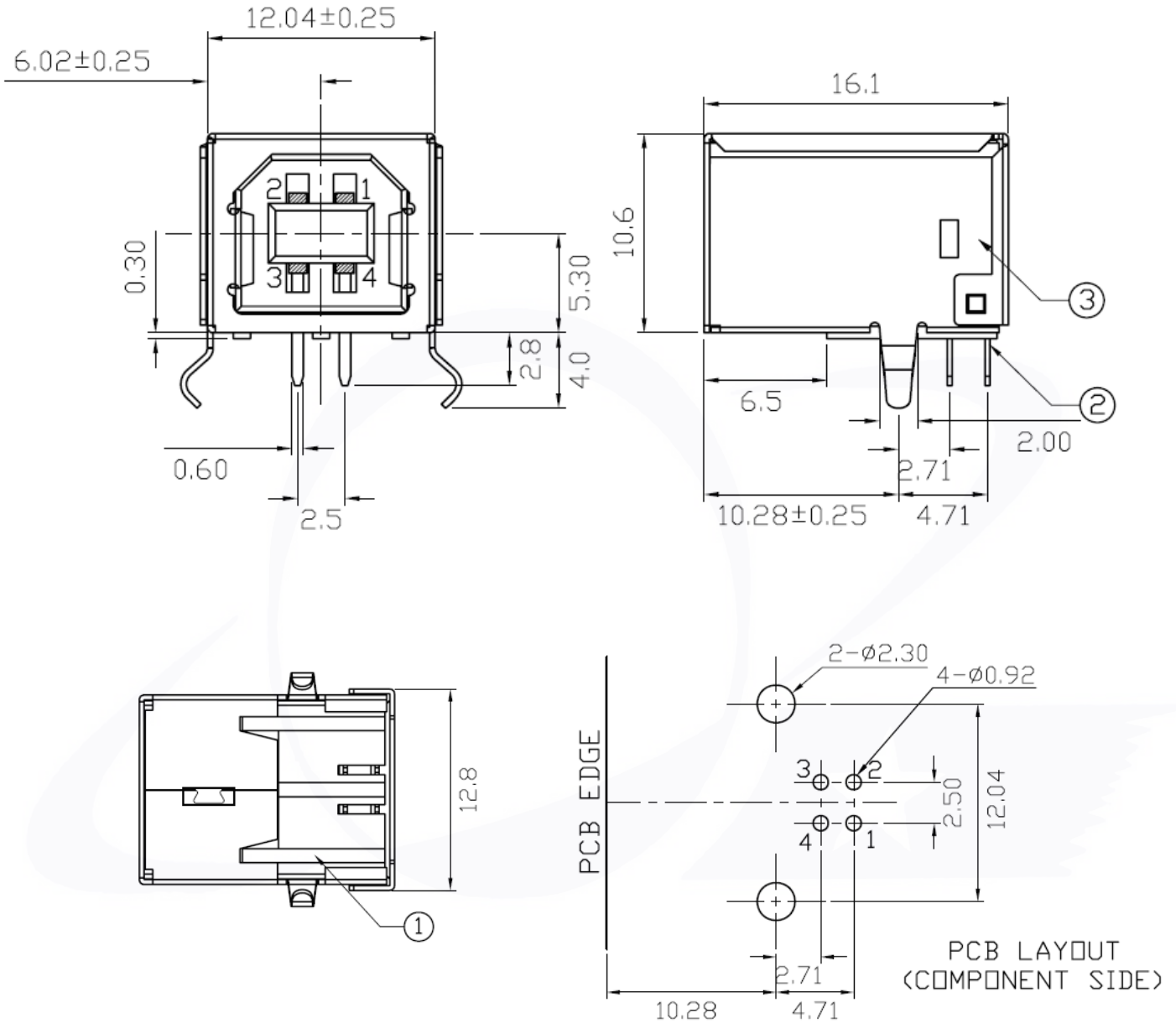
USB CONNECTOR, FOR PCB, B TYPE, FEMALE, 4 PINS, DIP, RIGHT ANGLE

Material and Finish

- 1. Housing: PBT G.F., White
- 2. Pin term: Phosphor Bronze, T=0.25, Gold/Tin Plated
- 3. Shell: Brass, T=0.3, Tin plated

Electrical

Contact Resistance: 30M ohms Max.
 Insulation Resistance: 1000M ohms Min. At 500V DC.
 Rated Voltage and Current: 1.5A at 250V AC Min
 Dielectric Withstanding Voltage: 750V AC for 1 minute.
 Durability(Life Test): 1500 cycles
 Insertion Force: 35 Newton Max.
 Extraction Force: 10 Newton Min.



| Series- | Type | Style | No. Pins | Angle | Deck | Color | Plating | Packing- | Option- | Status- |
|---------|------|-----------------------|----------|------------|-----------------|-----------|--|--|---------|---------|
| UP- | 1- | [B] B TYPE [2] FEMALE | 4 | [R] 90°DIP | [1] SINGLE DECK | [1] WHITE | [T1] SELECTIVE GOLD PLATED 1u" [T30] SELECTIVE GOLD PLATED 30u" | [G] BAG [X] BOX [R] REEL [U] TUBE [Y] TRAY | | [R]RoHS |