

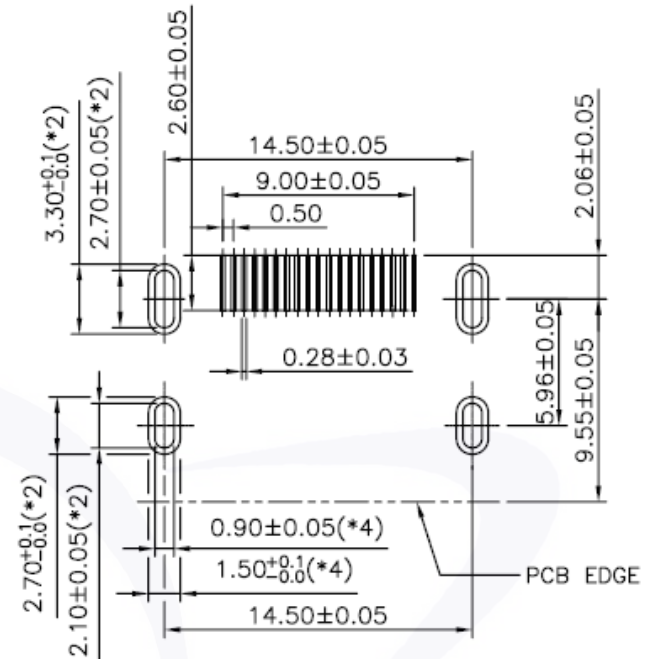
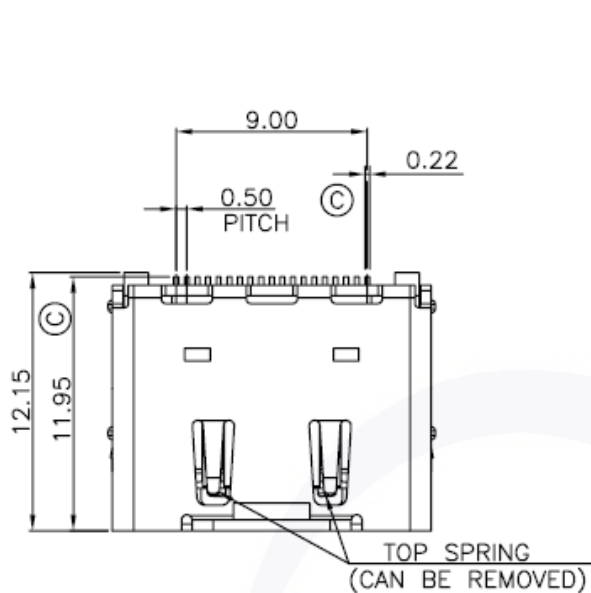
HDMI CONNECTOR, 19PINS, FEMALE, SMT CONTACT, DIP GROUNDING, WITH FLANGE

Material and Finish

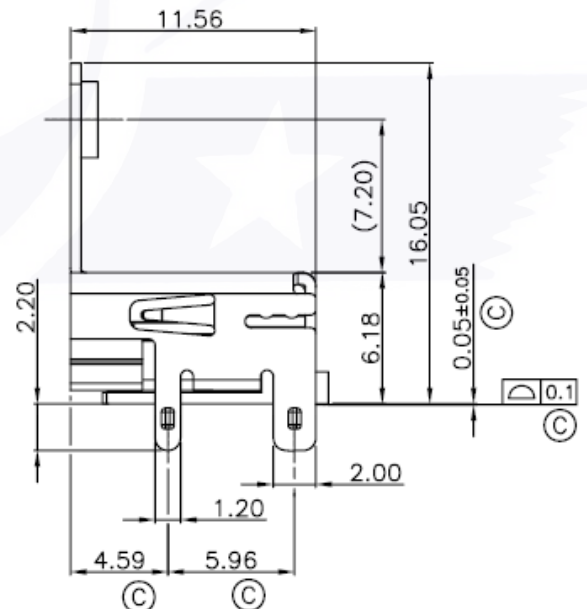
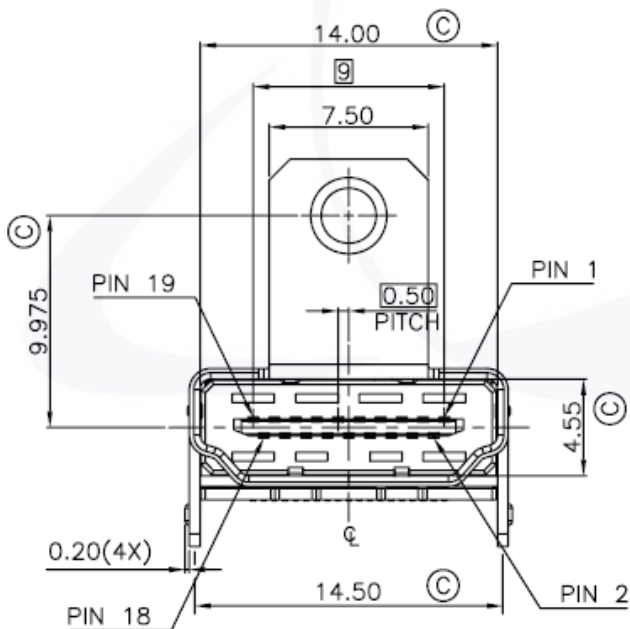
Insulator Material: LCP + 30% Glass filled,
UL94V-0, Black
Contact Material: Brass(C2680-EH), $t=0.2\text{mm}$
Shell Material: Brass(C2680 1/2H), $t=0.5\text{mm}$
Contact Area Plated: 15u" Gold for one side plated
over 50u" Nickel
Solder Area Plated: 100u" Tin Plated for double sides
over 50u" Nickel
Shell Plated: 100u" Nickel Plated

Electrical

Current Rating: 0.5 Amp Min.
Insulation Resistance: Unmated: 100 Mohms Min.
Mated: 10 Mohms Min.
Contact Resistance: 10 Mohms Max.
Dielectric Withstanding Voltage: 300V AC
Operation Temperature: -55°C to $+85^{\circ}\text{C}$
Control Dimensions Indicated From ©



RECOMMENDED PCB LAYOUT (THICKNESS=1.6±0.15mm)



Series-	No. Pins	Type	Contact	Grounding	Shell Type	Plating-	Color	Packing-	Option-	Status-
HD-	1- [A] 19	[F] FEMALE	[S] SMT	[D] DIP	[1] W/ FLANGE	[T5] SELECTIVE GOLD PLATED 5u" [T15] SELECTIVE GOLD PLATED 15u"	[O] BLACK	[G] BAG [X] BOX [R] REEL [U] TUBE [Y] TRAY		[R]RoHS