

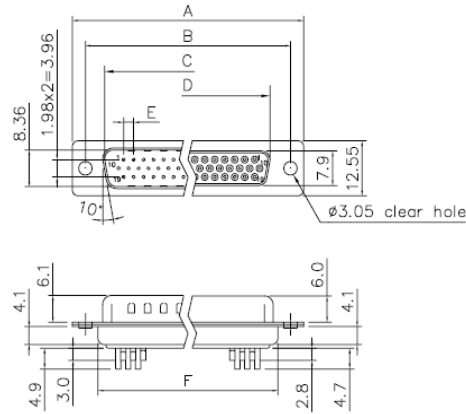
**D-SUB CONNECTOR, HIGH DENSITY, SOLDER TYPE, STRAIGHT, WITHOUT SCREW**

**Material**

Insulator: Glass-Filled Thermoplastic PBT, UL94V-0  
 Contact: Brass  
 Shell: Steel, 100u" Tin Over 50u" min Copper  
 Clinch Nut: Brass, Nickel Plated  
 Screwlock: Brass, Nickel Plated

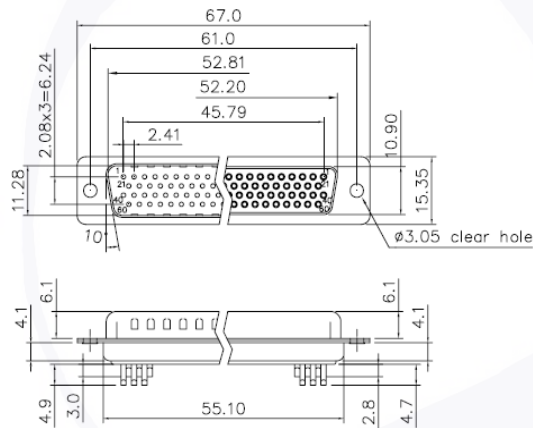
**Electrical**

Contact Resistance: 20 milliohms, Max at 1 AMP DC.  
 Insulation Resistance: 1000, magohms at 500V DC  
 Dielectric Withstanding Voltage: 1000V AC/rms 60Hz for 1 minute  
 Current Rating: 3.0 AMP  
 Volatge Rating: 250V AC/rms 60Hz



DIMENSION TABLE

POSITIONS	A	B	C	D	E	F
15	30.81	24.99	16.92	16.33	2.29	19.20
26	39.20	33.30	25.25	24.70	2.29	27.70
44	53.05	47.04	38.96	38.40	2.29	41.10
62	69.40	63.50	55.42	54.80	2.41	57.30



Series-	Type-	NO. Pins-	Angle-	Screw-	Color-	Plating-	Packing-	Option-	Status-
<b>DHM--</b> (High-Density, MALE)	1- [2] SOLDER TYPE	15 26 44	[S] 180°	[0] W/O [1] LOCKED [2] UNLOCKED	[0] BLACK [4] BLUE	[T1] SELECTIVE GOLD PLATED 1u" [T15] SELECTIVE GOLD PLATED 15u"	[G] BAG [X] BOX [R] REEL		[R]RoHS
<b>DHF--</b> (High-Density, FEMALE)		62					[U] TUBE [Y] TRAY		