

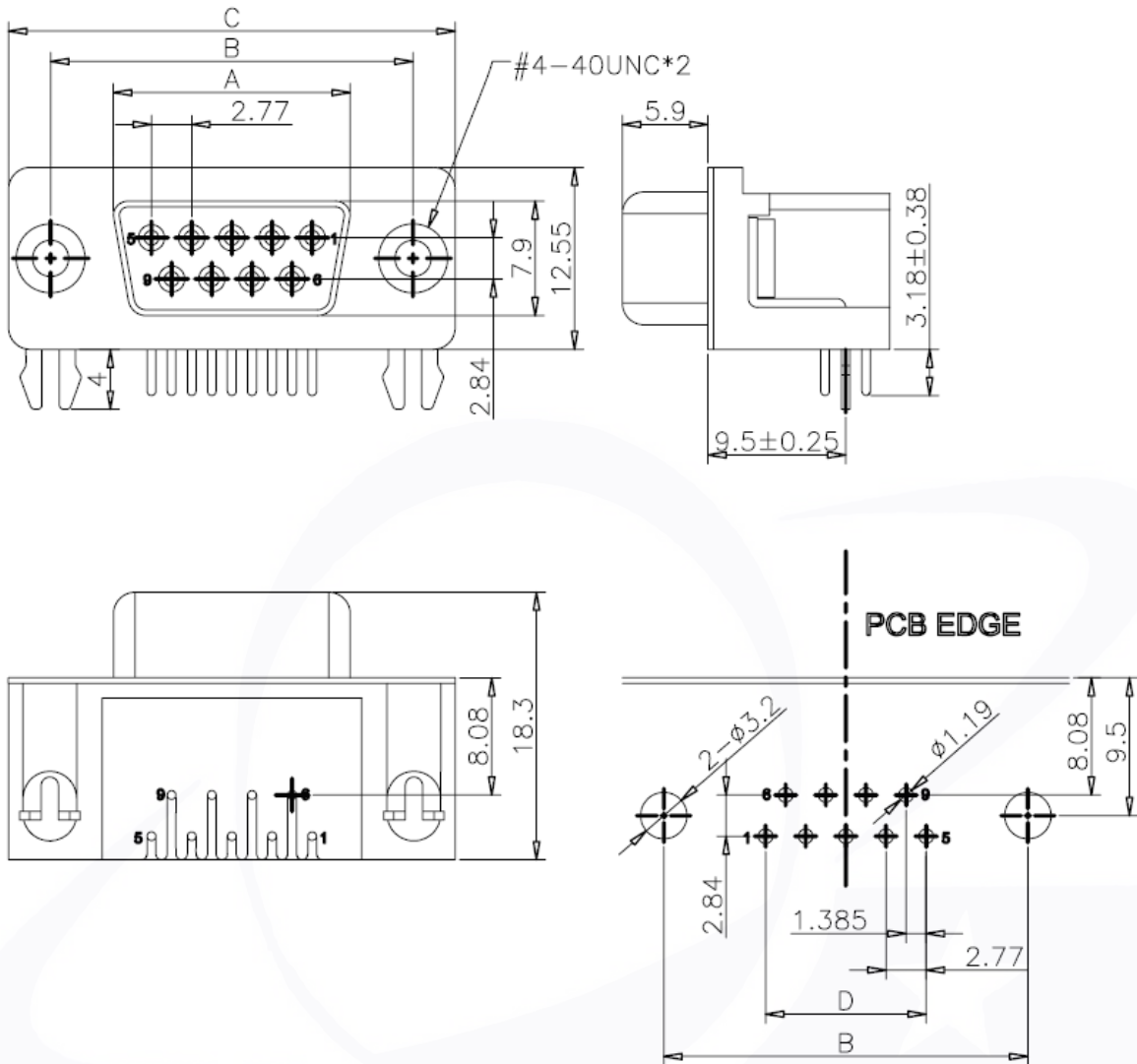
D-SUB CONNECTOR, PCB TYPE, FEMALE, RIGHT ANGLE, 9/15/25/37 PINS, 8.08mm

Material

Insulator: PBT +30% Glass Fiber, UL 94V-0
 Contact: Copper Alloy
 Contact finish: Gold over Nickel
 Shell: Steel, Nickel plated
 Boardlock: Brass, Tin plated
 Riveted insert: Brass, Nickel plated

Electrical

Current rating: 5 AMP
 Dielectric withstanding voltage: AC 1000 for 1 minute
 Insulation resistance: 1000m ohms Min. at 500V DC
 Contact resistance: 15m ohms Max.
 Operating temperature: -55°C ~ 105°C



| Shell Size | A±0.25 | B±0.25 | C±0.38 | D |
|------------|--------|--------|--------|-------|
| 09 Pin | 16.33 | 24.99 | 30.80 | 11.08 |
| 15 Pin | 24.66 | 33.32 | 39.10 | 19.39 |
| 25 Pin | 38.38 | 47.04 | 53.00 | 33.24 |
| 37 Pin | 54.84 | 63.50 | 69.32 | 49.86 |

| Series- | Type- | NO. Pins- | Angle- | Screw- | Color- | Plating- | Packing- | Footprint | Option- | Status- |
|---------|-------|--------------|--------|--------------|----------|----------------------------------|--------------------------------|-----------|----------|---------|
| DBF- | 1- | [1] PCB TYPE | 9 | [R] 90° | [0] W/O | [0] BLACK | [T1] SELECTIVE GOLD PLATED 1u" | [G] BAG | [1] 5.08 | [R]RoHS |
| | | | 15 | [1] LOCKED | [4] BLUE | [T15] SELECTIVE GOLD PLATED 15u" | [X] BOX | [2] 8.08 | | |
| | | | 25 | [2] UNLOCKED | | [G1] FULL GOLD PLATED 1u" | [R] REEL | [3] 8.89 | | |
| | | | 37 | | | [G3] FULL GOLD PLATED 3u" | [U] TUBE | [4] 10.3 | | |
| | | | | | | | [Y] TRAY | [5] 13.48 | | |
| | | | | | | | | [6] 14.90 | | |