

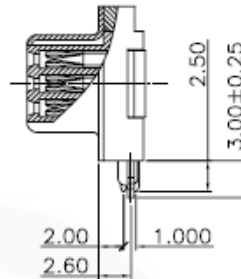
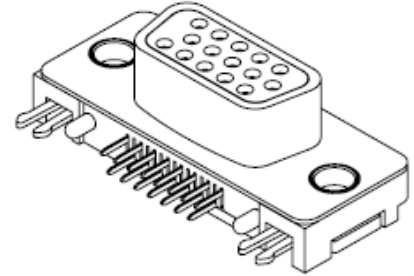
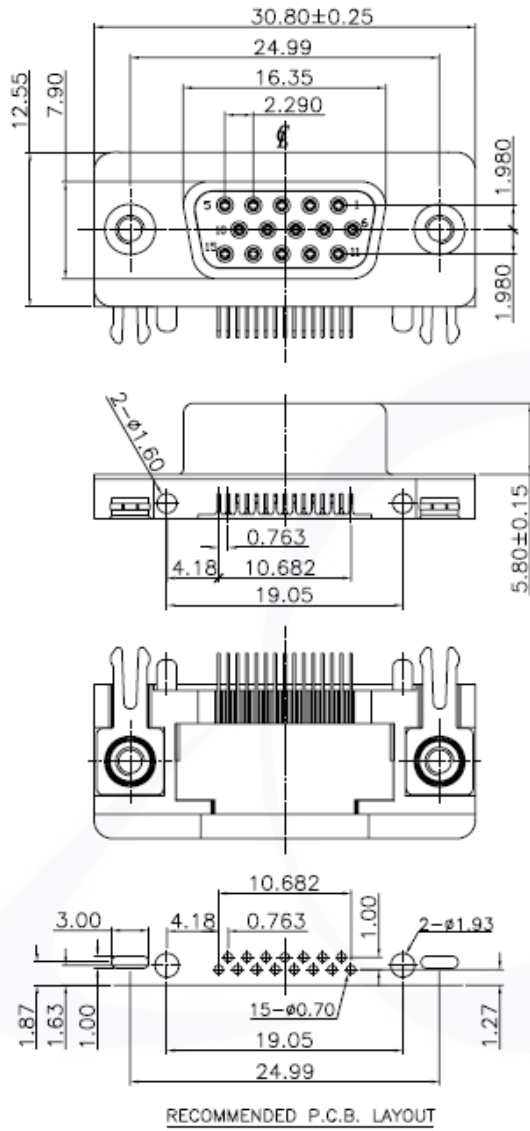
## D-SUB CONNECTOR, HIGH DENSITY, PCB TYPE, FEMALE, RIGHT ANGLE, SLIM, ROW SPACE 1.0mm

### Material

Body & Latch: PA66  
 Contacts: Brass  
 Shell: SPCD  
 Contact plating: Gold plating over Nickel

### Electrical

Current rating: 3A  
 Contact resistance: 25m ohms Max.  
 Insulation resistance: 1000m ohms Min. at DC 500V.  
 Dielectric withstanding voltage: AC 1000/ 60sec rms.



Series-	Type-	NO. Pins-	Angle-	Screw-	Color-	Plating-	Packing-	Option-	Status-
DHF-- (High-Density, FEMALE)	1- [1] PCB TYPE	15	[R] 90°	[0] W/O [1] LOCKED [2] UNLOCKED	[1] WHITE [4] BLUE	[T1] SELECTIVE GOLD PLATED 1u" [T15] SELECTIVE GOLD PLATED 15u" [G1] FULL GOLD PLATED 1u" [G3] FULL GOLD PLATED 3u"	[G] BAG [X] BOX [R] REEL [U] TUBE [Y] TRAY		[R]RoHS