

DVI CONNECTOR, PCB DIP TYPE, 24+5 PINS, FEMALE, RIGHT ANGLE

Material

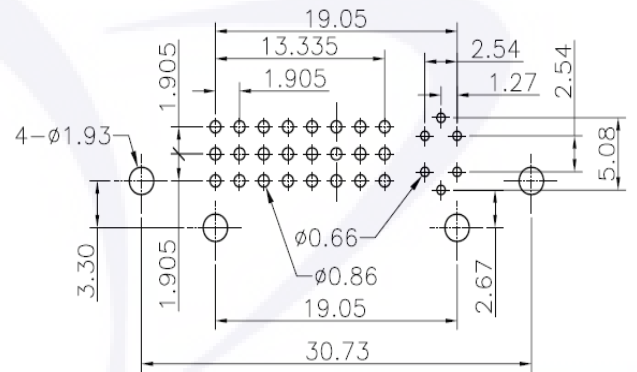
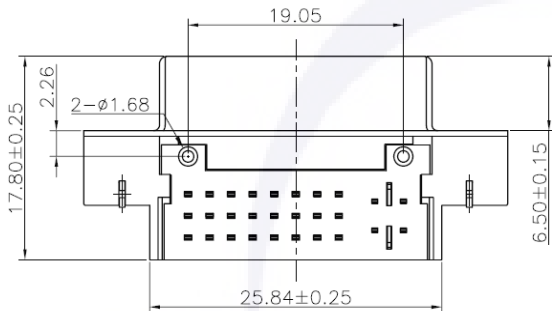
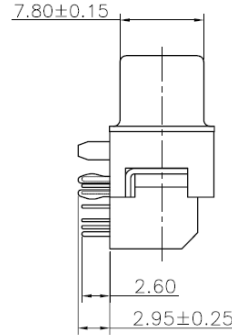
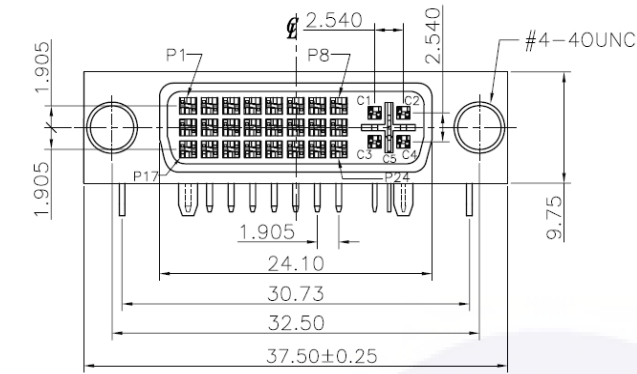
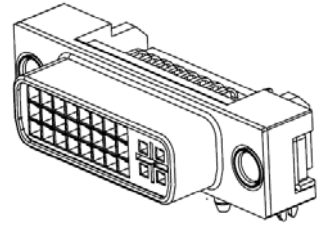
Body & Latch: NY66 rated.
 Numeral contacts: Brass
 Ground contacts: Brass
 Shell: SPCC
 Leg: Brass
 Rivet: Brass
 Contact plating: Gold plating over Nickel

Electrical

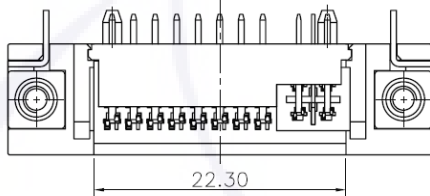
Current rating: 1.5A
 Voltage rating: 40V
 Contact resistance: 30M ohms Max.
 Insulation resistance: 1000M ohms Min 500V DC.
 Dielectric Withstanding Voltage: 500V AC.

Environmental

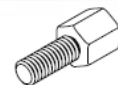
Operating temperature: -20°C~80°C



RECOMMENDED PCB LAYOUT



NO.	NUT SPC
1	4.75*11.80 L=4.80
2	4.75*11.80 L=5.80
3	4.75*13.00 L=4.80
4	4.75*13.00 L=5.80



Series-	NO. Pins-	Type	Angle	Screw	Color	Plating-	Option-
DVP-	1- [2] 29	[2] FEMALE	[R] 90°	[0] W/O SCREW [1] W/ SCREW LOCKED [2] W/ SCREW UNLOCKED	[1] WHITE	[T1] SELECTIVE GOLD PLATED 1u" [G1] FULL GOLD PLATED 1u"	[1] 4.75*11.80, L=4.80 [2] 4.75*11.80, L=5.80 [3] 4.75*13.00, L=4.80 [4] 4.75*13.00, L=5.80