

DVI CONNECTOR, PCB DIP TYPE, 24+5 PINS, FEMALE, STRAIGHT

Material

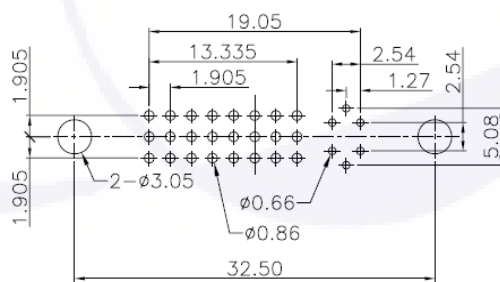
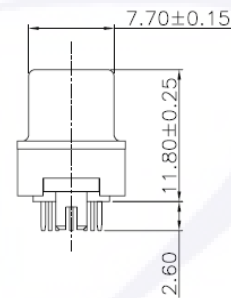
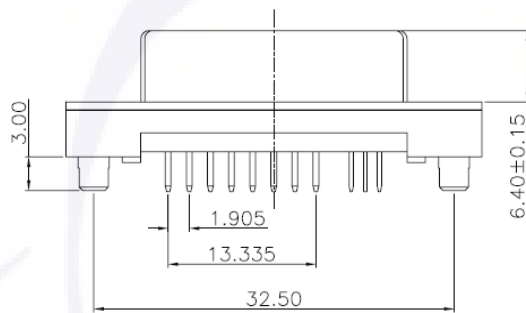
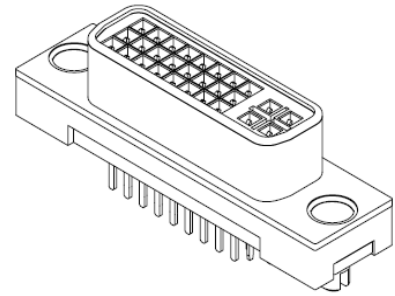
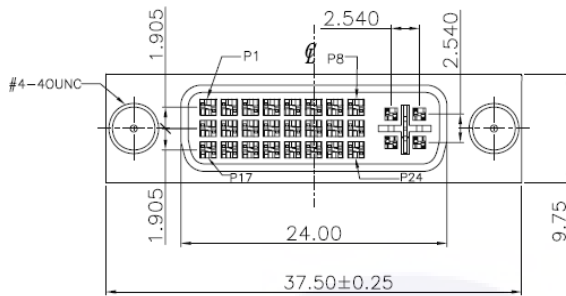
Body & Latch: NY66 rated.
 Contacts: Phosphor Bronze.
 Ground Contact: Brass
 Shell: Zinc Alloy.
 Rivet: Brass
 Contact plating: Gold plating over Nickel.

Electrical

Current rating: 1.5A
 Voltage rating: 40V
 Contact resistance: 30M ohms Max.
 Insulation resistance: 1000M ohms Min 500V DC.
 Dielectric Withstanding Voltage: 500V AC.

Environmental

Operating temperature: -20°C~80°C



RECOMMENDED PCB LAYOUT

Series-	NO. Pins-	Type	Angle	Screw	Color	Plating-	Option-
DVP-	1- [2] 29	[2] FEMALE [S]	180°	[0] W/O SCREW [1] W/ SCREW LOCKED [2] W/ SCREW UNLOCKED	[1] WHITE	[T1] SELECTIVE GOLD PLATED 1u" [G1] FULL GOLD PLATED 1u"	