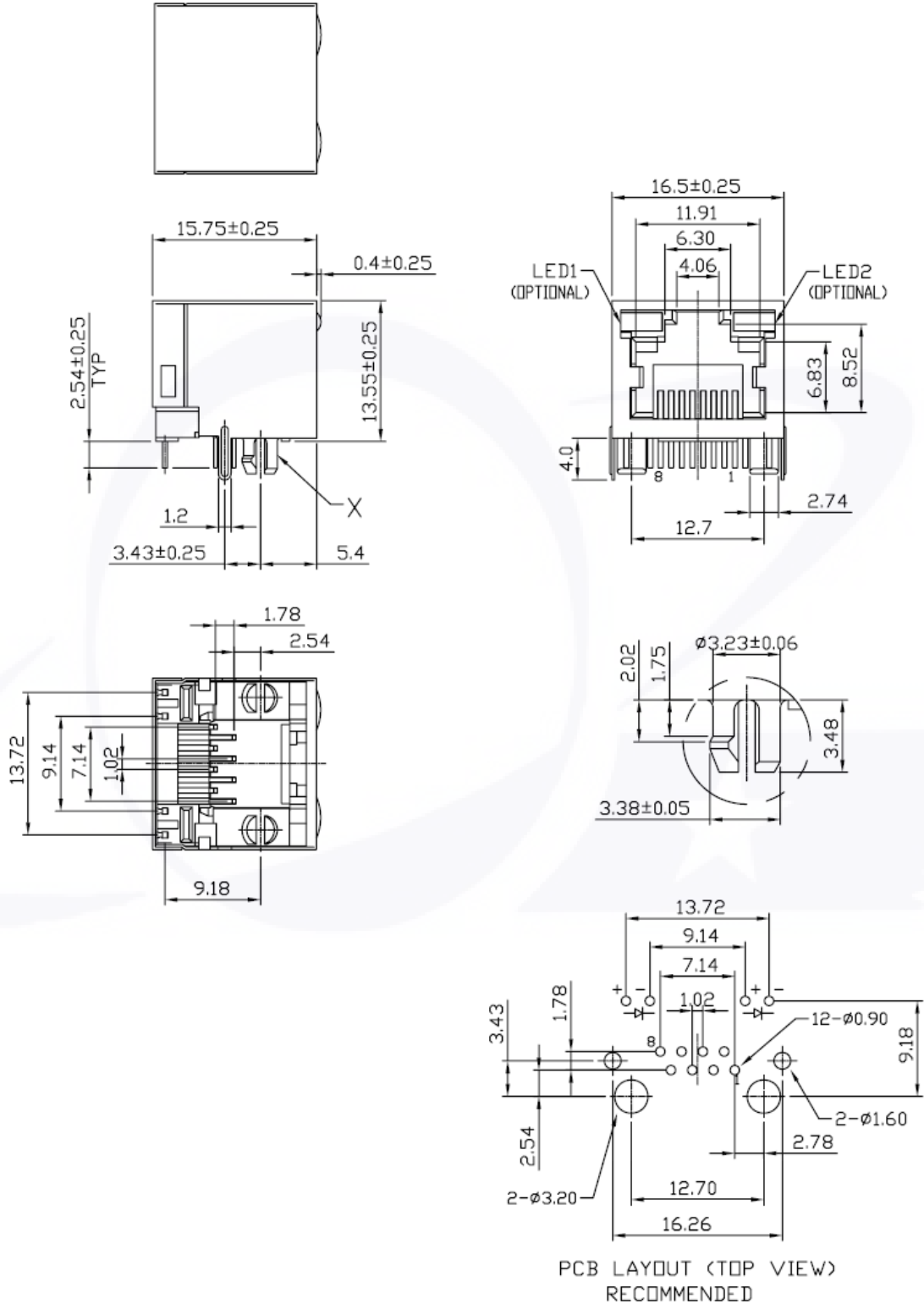


MODULAR JACK RJ45 SHIELDED LED 8P8C SIDE ENTRY PCB JACK

Material and Finish

Housing: DSM STANYL TE250F6 (NY46)
 Heat deflection temp. 290°. Black, UL 94V-0
 Contacts: 0.35mm thick Phos-Bronze plated with hard Gold and Gold Flash in solder area.
 Shield: 0.25mm thick Copper Alloy plated with Nickel.
 Cavity conforms to FCC rules and regulations part 68, subpart F.



PCB LAYOUT (TOP VIEW)
RECOMMENDED

Series	Position	Contact	Angle	Deck	No. of Port	LED 1/ LED 2	Plating	Packing	Option	Status
RJD-	1-	[8] 8	[8] 8	[R] 90°	[1] SINGLE DECK	[1] G/Y [2] Y/G [3] G/G [4] Y/Y	[T1] SELECTIVE GOLD PLATED 1u" [T6] SELECTIVE GOLD PLATED 6u"	[R] REEL [Y] TRAY		[R] RoHS