

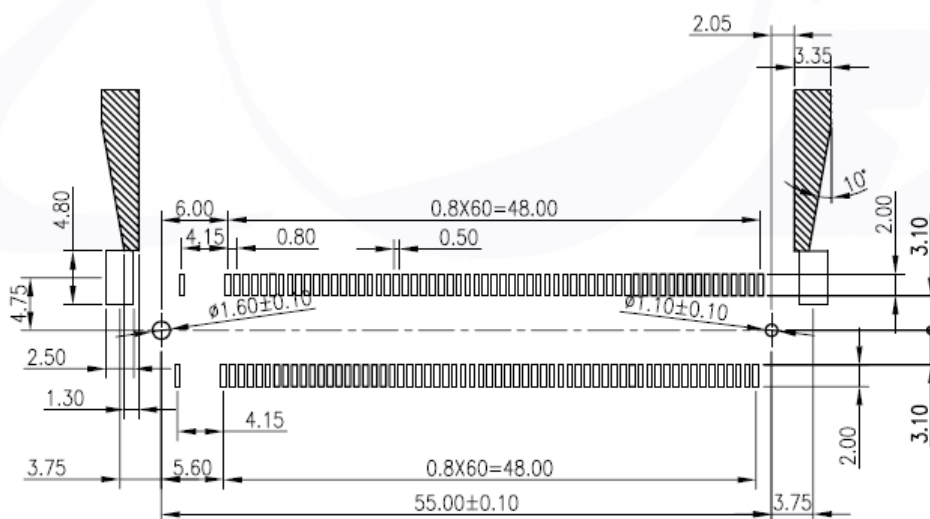
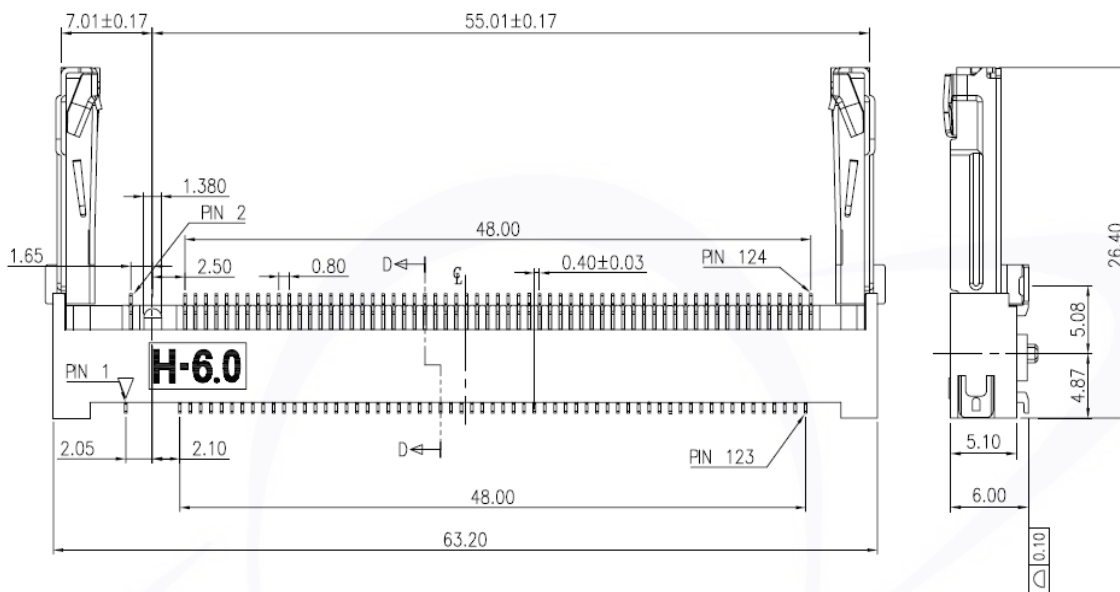
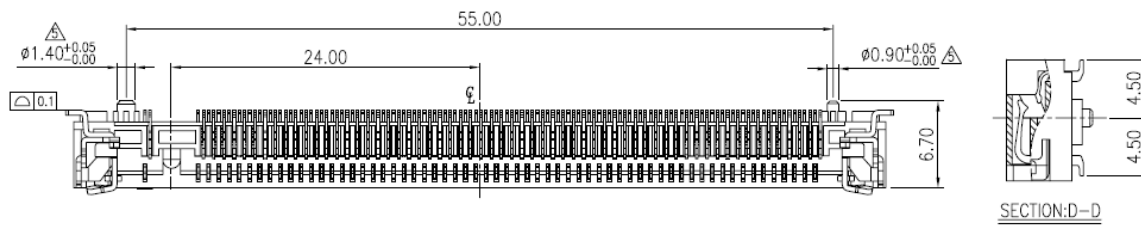
**MINI PCI SOCKET, STAND OFF 6.0mm, 124P, B-TYPE**

**Material**

Housing: LCP with 30% G.F., UL 94V-0  
 Contacts: Brass  
 Latch: Stainless

**Finish**

Contact: Gold plated on contact and soldering end over 50u" Min. Nickel under-plating.  
 Latch: Matte Tin plating over Nickel.



RECOMMENDED PCB LAYOUT

Series-	Height	No. Pins	Color	Material	Plating	Packing
MPI-	1- [4] 6.0	[2] 124	[0] BLACK [11] IVORY	[4] LCP	[G1] FULL GOLD PLATED 1u" [G3] FULL GOLD PLATED 3u" [G5] FULL GOLD PLATED 5u"	[R] REEL [Y] TRAY