

DISPLAYPORT CONNECTOR, FEMALE, DIP TYPE, 20 PINS, WITH EMI CLIP, THREE ROWS

Material

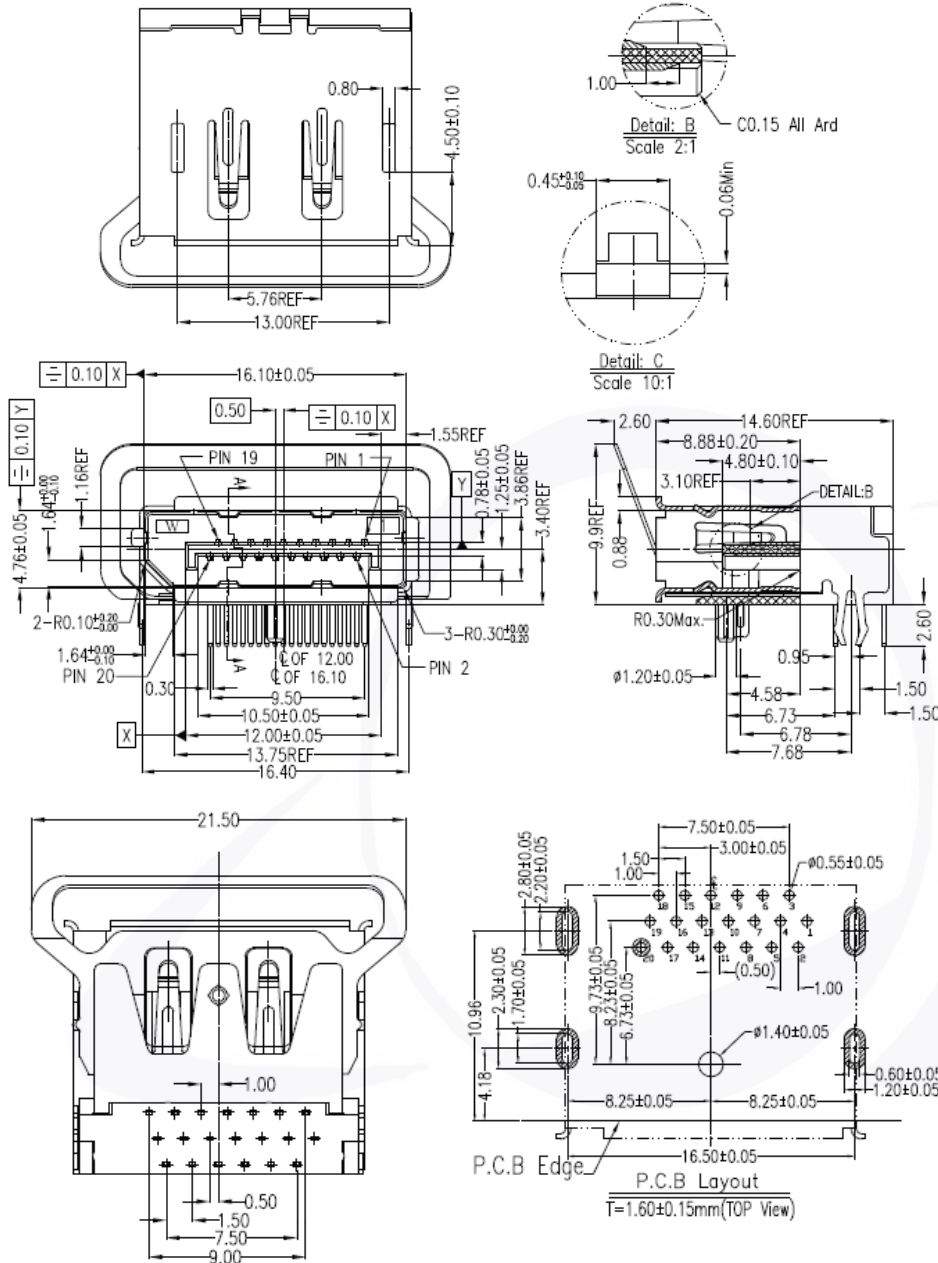
Body: LCP, UL 94V-0 rated, Black
 Shield: Brass, Nickel plating
 EMI Clip: Stainless Steel
 Contact: Brass, Tin plating on soldr tail;
 Gold plating over Nickel on contact area

Electrical

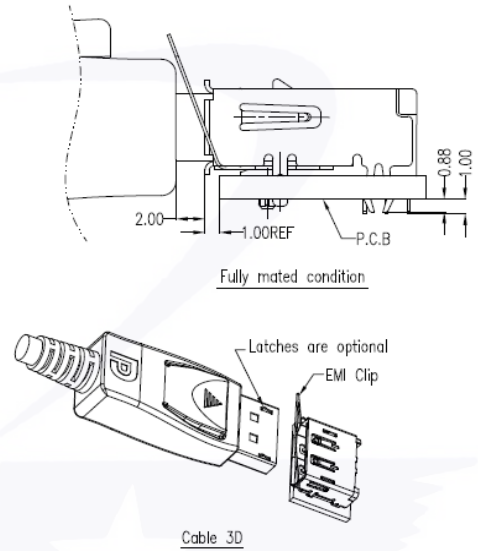
Operation Voltage: 40 VAC Max.
 Current Rating: 0.5 Amp per contact
 Contact Resistance: 30 Milliohms Min.
 Insulation Resistance: 100 Megohms Min.
 Dielectric Withstanding Voltage: 500 VDC

Environmental

Operating Temperature: -20°C ~ +85°C



Pin No.	Signal Type	Pin No.	Signal Type
1	In	11	GND
2	GND	12	In
3	In	13	CONFIG(see note 1)
4	In	14	CONFIG(see note 1)
5	GND	15	I/O
6	In	16	GND
7	In	17	I/O
8	GND	18	Out
9	In	19	RTN
10	In	20	Power Out(see note 2)



Series-	Style	No. Pins	Angle	Color	Plating	Packing-	Option-	Status-
DP-	2- [2] FEMALE	20	[R] 90°DIP	[0] BLACK	[T1] SELECTIVE GOLD PLATED 1u" [G1] FULL GOLD PLATED 1u" [G15] FULL GOLD PLATED 15u" [G30] FULL GOLD PLATED 30u"	[R] REEL [Y] TRAY		[R]RoHS