

## MINI DIN CONNECTOR, 9 PINS, SINGLE DECK, WITH SHIELD

### Material and Finish

Insulator: PBT UL94V-0 or LCP

Contact: Phosphor Bronze, Gold/Tin plated and 9th Brass, Tin plated

Shell: Brass, Tin Plated or Nickel/Tin plated.

### Environmental

Operating Temperature: -55°C~105°C

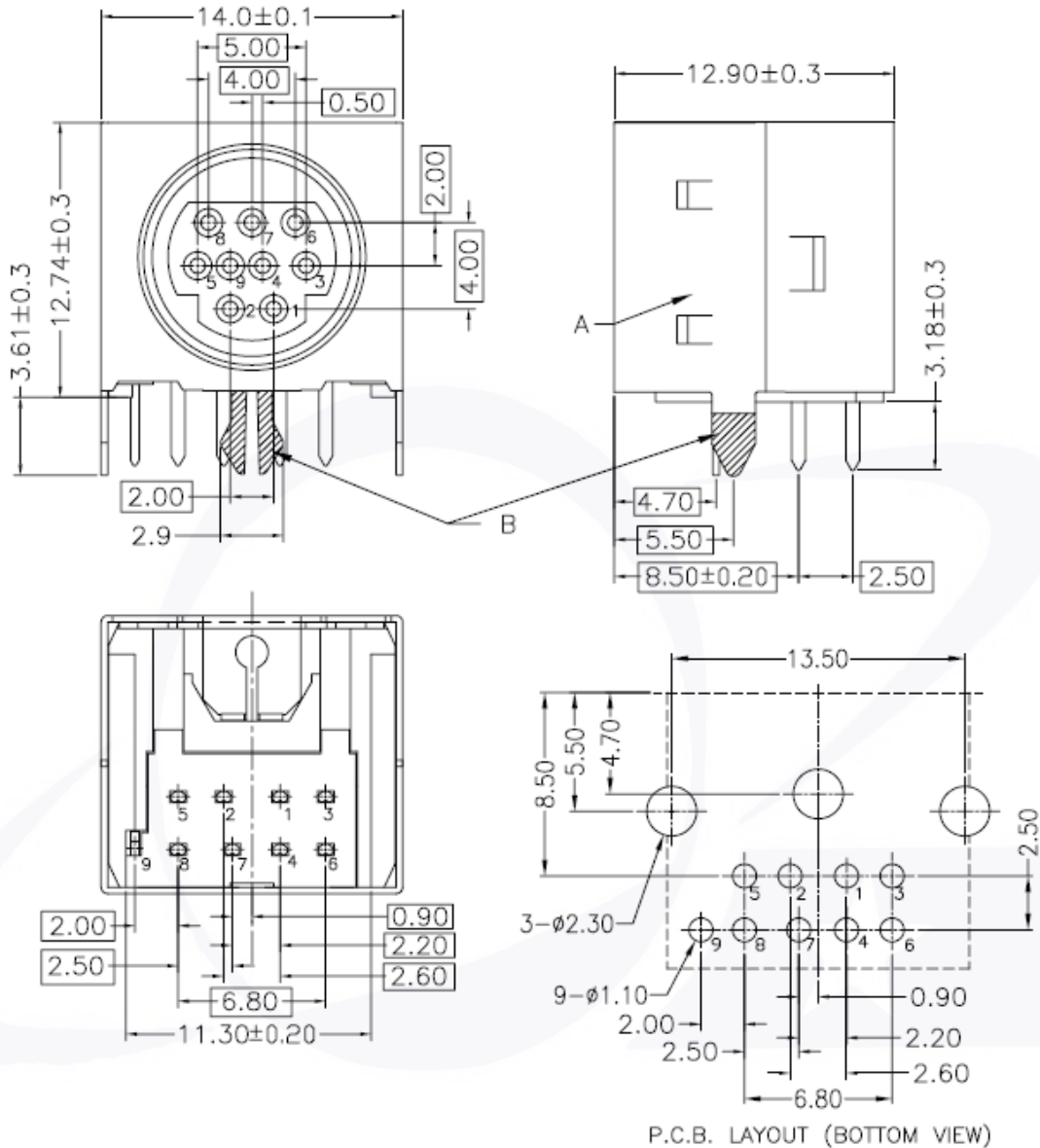
### Electrical

Contact Current Rating: 1 Amp

Dielectric Withstanding: AC 500V/ Min R.M.S.

Insulation Resistance: 500M Ohms Min. at 500V DC

Contact Resistance: 30m Ohms Max.



Series	No. Pins	Deck	Shield	Spring	Color	Plating	Packing	Options	Status
MDN-	1-	9	[S] SINGLE DECK	[1] W/ SHIELD	[0] W/O SPRING	[0] BLACK	[T1] Selective Gold Flash 1u"	[G] BAG [X] BOX [R] REEL [U] TUBE [Y] TRAY	[R] RoHS