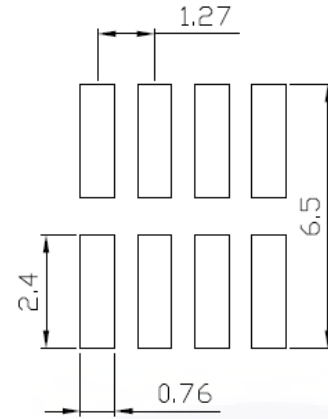
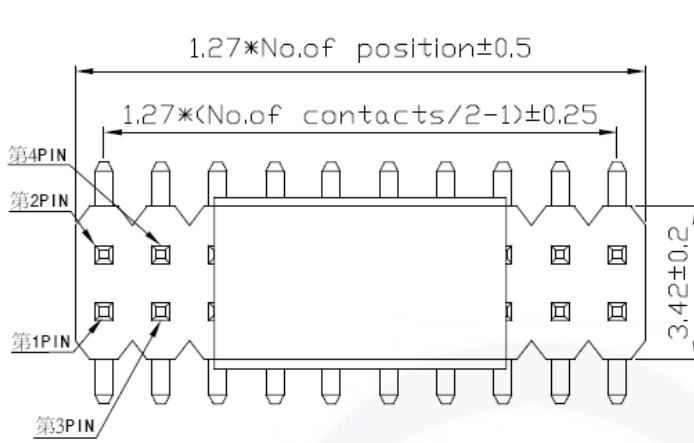


PIN HEADER, SMT, HEIGHT 1.00, PITCH 1.27, ROW SPACE 1.27, DUAL ROWS, CONTACT 4.00, LAYOUT 6.50

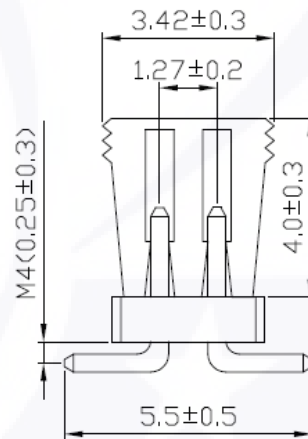
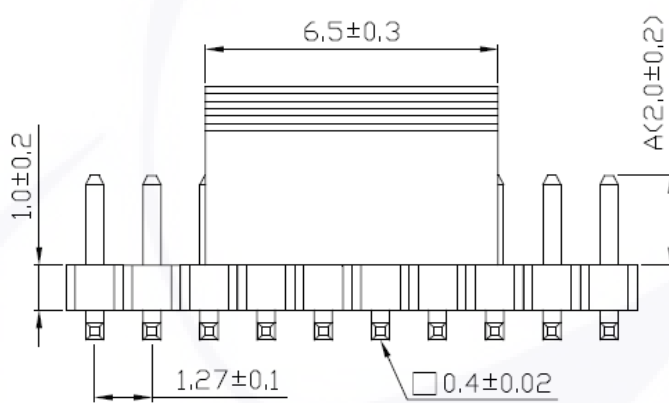
Material
 Contact: Copper Alloy, 0.40mm square post
 Insulator: Thermoplastic, UL 94V-0

Plating: Gold plated.

Electrical
 Current Rating: 1AMP
 Insulation Resistance: 1000M ohms Min.
 Withstanding Voltage: 500V AC
 Contact Resistance: 20M ohms Max.
 Operating Temperature: -40°C ~ +105°C



P. C. B HOLE LAYOUT



Series	Pitch	Row	Post	Cap	Plating	Plastic Height	Pin Length	Option	No. Pins
P1MX-	[2] 1.27	[2] 1.27	[1] W/ [0] W/O	[1] W/ CAP	[G1] FULL GOLD PLATED 1u" [G15] FULL GOLD PLATED 15u"	100	-020 (A)		2x_