

BOX HEADER, PITCH 2.54mm,PCB MOUNT, RIGHT ANGLE, DUAL ROWS

Material and Finish

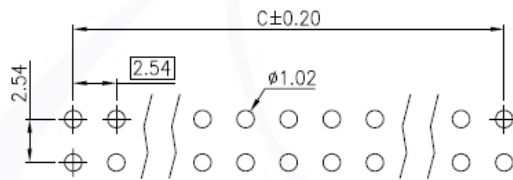
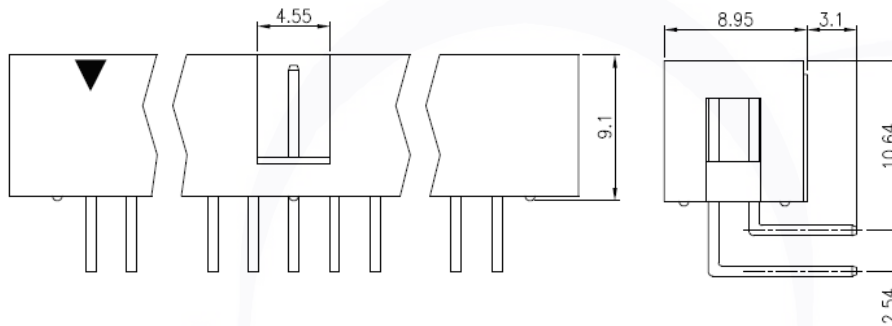
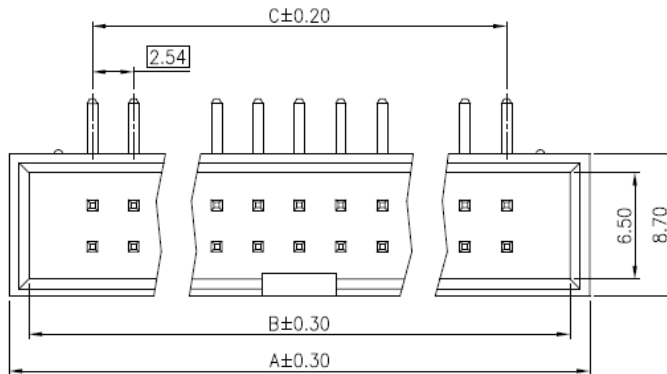
Housing: Thermoplastic (UL94V-0)
Terminal: SQ, 0.64mm, Copper Alloy, Gold Plating

Electrical

Current Rating: 3.0 AMP. Max
Dielectric Withstand Voltage: 1000V AC RMS for 60 Seconds.
Insulation Resistance: 1000M ohms Min. at 1000V DC

Mechanical

Operating Temperature: -55°C~ +105°C



PCB Layout(Top View)

Dimension			
Pos.	A	B	C
06	15.24	12.94	5.08
08	17.78	15.48	7.62
10	20.32	18.02	10.16
12	22.86	20.56	12.70
14	25.40	23.10	15.24
16	27.94	25.64	17.78
20	33.02	30.72	22.86
24	38.10	35.80	27.94
26	40.64	38.34	30.48
30	45.72	43.42	35.56
34	50.80	48.50	40.64
40	58.42	56.12	48.26
44	63.50	61.20	53.34
50	71.12	68.82	60.96

Series-	Pitch	Row	NO. Pins Per Row	Plastic Height	Color-	Plating-	Packing-	Option-	Status-
BHR- (90°/DIP)	3-	[4] 2.54 [4] 2.54	--	[E] 9.1	[0] BLACK [T0] TIN PLATED, LIGHT TIN [1] WHITE [T1] SELECTIVE GOLD PLATED 1u"	[G1] FULL GOLD PLATED 1u"	[G] BAG [X] BOX [R] REEL [U] TUBE [Y] TRAY		[R]RoHS