

BOX HEADER, PITCH 2.54mm, SMT, DUAL ROWS

Material and Finish

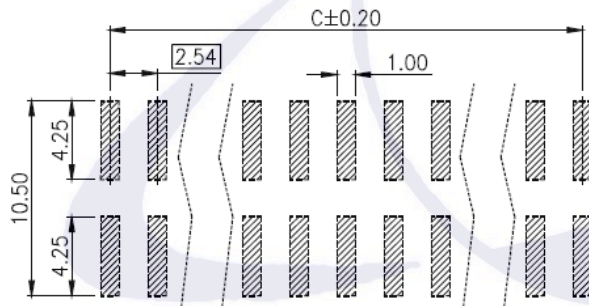
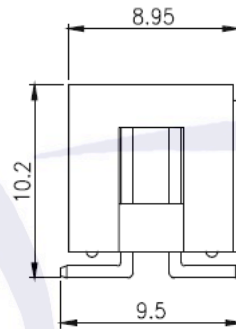
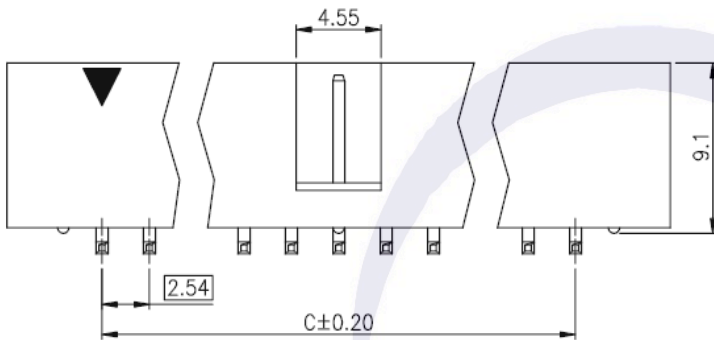
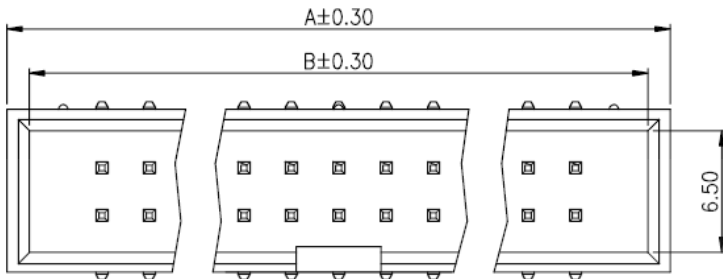
Housing: Hi. Temp. Plastic Nylon-6T, UL 94-0, Black
Terminal: SQ 0.64mm Copper Alloy, Gold plating

Electrical

Current Rating: 3.0 Amp. Max
Dielectric Withstand Voltage: 1000V AC RMS for 60 seconds.
Insulation Resistance: 1000 Megohms Min. at 1000V DC

Mechanical

Operating Temperature: -55°C~+105°C



PCB Layout
(Top View)

Dimensions				Dimensions			
Pos.	A	B	C	Pos.	A	B	C
06	15.24	12.94	5.08	24	38.10	35.80	27.94
08	17.78	15.48	7.62	26	40.64	38.34	30.48
10	20.32	18.02	10.16	30	45.72	43.42	35.56
12	22.86	20.56	12.70	34	50.80	48.50	40.64
14	25.40	23.10	15.24	40	58.42	56.12	48.26
16	27.94	25.64	17.78	44	63.50	61.20	53.34
20	33.02	30.72	22.86	50	71.12	68.82	60.96

Series-	Pitch	Row	NO. Pins Per Row	Plastic Height	Post	Cap	Color	Plating	Packing
BHM-	1-	[4] 2.54	[4] 2.54	--	[E] 9.1	[1] W/ [0] W/O	[1] W/ CAP [0] W/O CAP	[0] BLACK [1] WHITE [T0] TIN PLATED, LIGHT TIN [T1] SELECTIVE GOLD PLATED 1u" [G1] FULL GOLD PLATED 1u"	[G] BAG [X] BOX [R] REEL [U] TUBE [Y] TRAY