

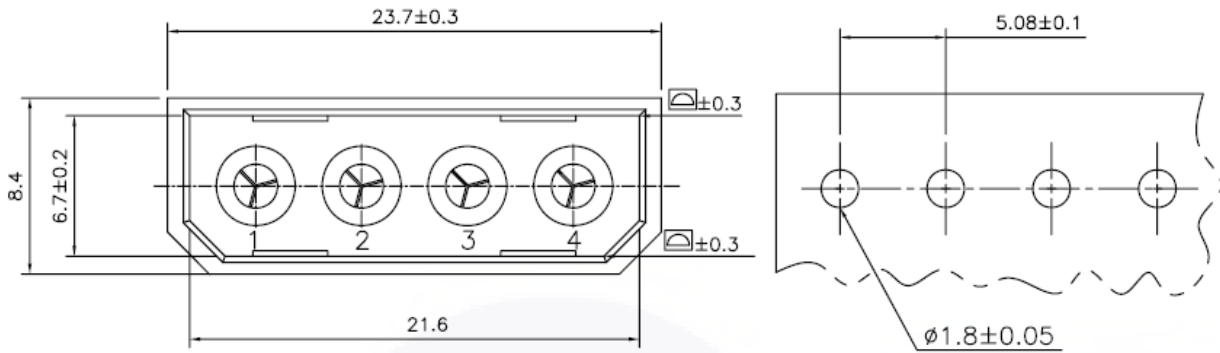
WAFER CONNECTOR, PITCH 5.08, DIP, STRAIGHT, SINGLE ROW, FOR DISK DRIVER

Material and Finish

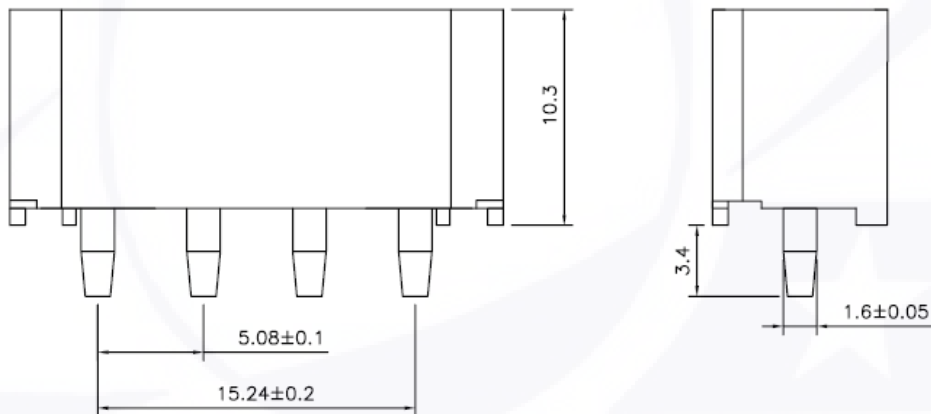
Contact: Brass, Tin plated
Base: Nylon 66, UL 94V-2 or UL 94V-0

Electrical

Voltage Rating: 250V AC/DC
Current Rating: 3A AC/DC
Withstanding Voltage: 1500V AC RMS for 1 minute.
Insulation Resistance: 1000M ohms Min.
Temperature Range: -25°C ~ +85°C
Contact Resistance: 20M ohms Max.



Recommand PCB Layout



Series	Free Code	Pitch	Style	Plating
WFC	1-	[J]5.08mm	[S] 180°/DIP	[T0] TIN PLATED