

SATA CONNECTOR, 7+6 PINS, FEMALE, DIP, RIGHT ANGLE, PIN LENGTH 6.15mm, TWO ROWS, SLIM TYPE

Material

Housing: LCP(Black), UL 94V-0 Rated
 Contact: Phosphor Bronze
 Plating: Gold plating over Nickel on contact area
 Tin plating on solder tail.

Electrical

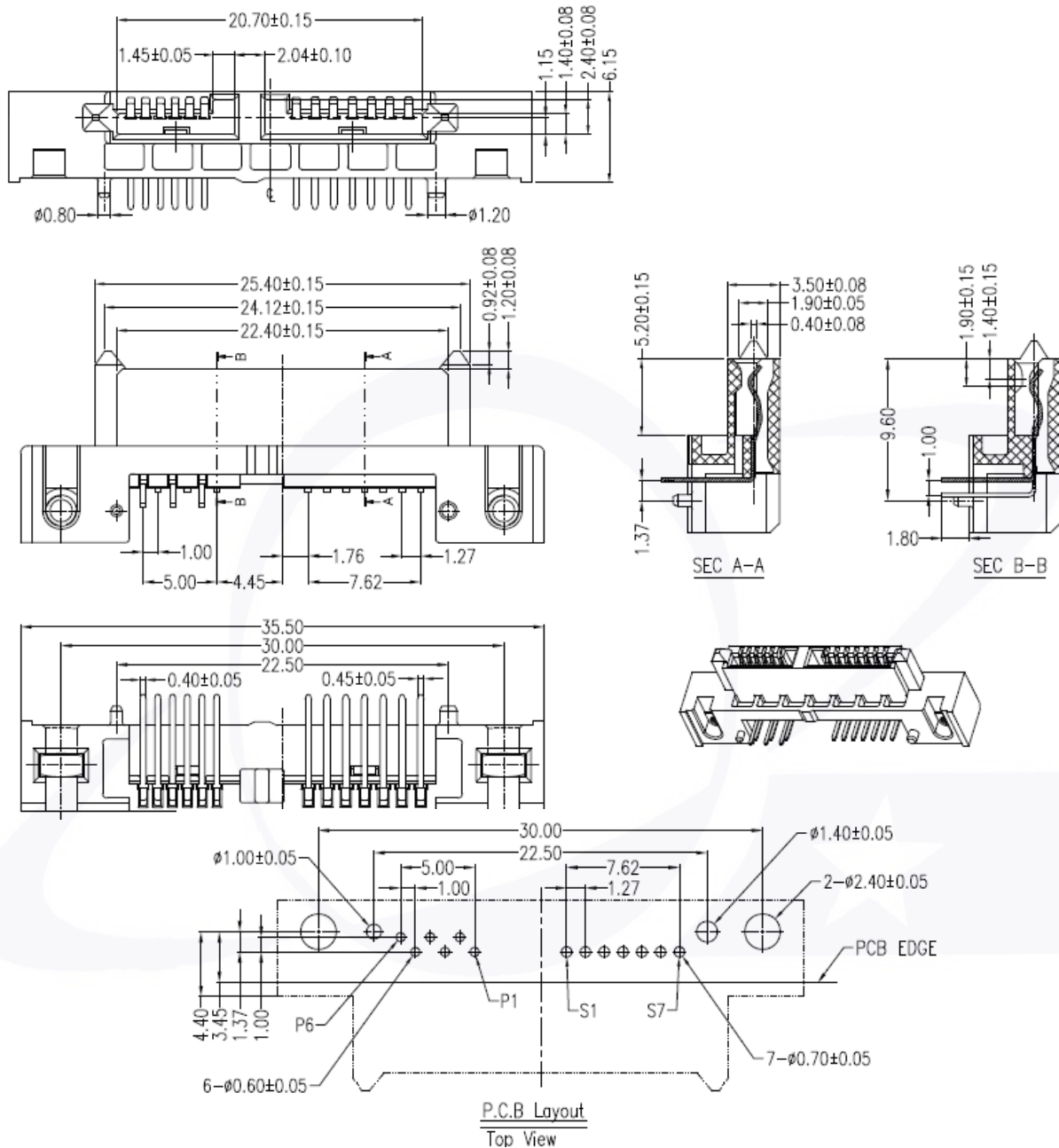
Current Rating: 1.5 Amp per contact.
 Contact Resistance: 30m ohm Min.
 Insulation Resistance: 1000 Megohms Min.
 Dielectric Withstanding Voltage: 500VAC

Mechanical

Insertion Force: 45N Max.
 Withdrawal Force: 10N Min.
 Durability: 500 cycles.

Environmental

Operating Temperature: -55°C to +125°C



Series-	NO. of Contact	Type	Solder/ Contact Type	Angle	Contact Plating	Contact Material	Insulator Color	Packing	Option	Pin Length	Status-
ATA-	1-	13	[F] Female [D] DIP	[R] Right Angle	[T5] Selective Gold 5u" [T15] Selective Gold 15u"	[P] Phosphor Bronze	[O] Black	[U] Tube [Y] Tray	[W] Screw	-615	[R]RoHS