

**SATA CONNECTOR, 7+15 PINS, FEMALE, STANDARD DIP, PIN LENGTH 6.70mm, FOR MOBILE RAID**

**Material**

Housing: LCP( Black), UL 94V-0 Rated  
 Contact: Phosphor Bronze  
 Plating: Gold plating over Nickel on contact area  
 Tin plating on solder tail.

**Electrical**

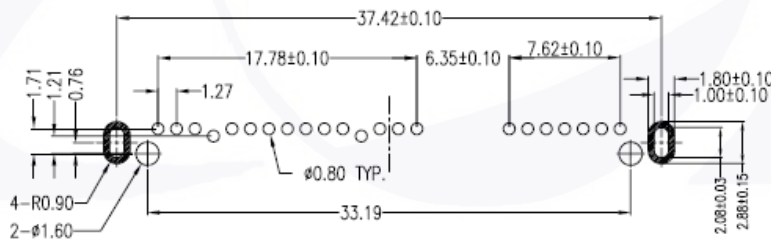
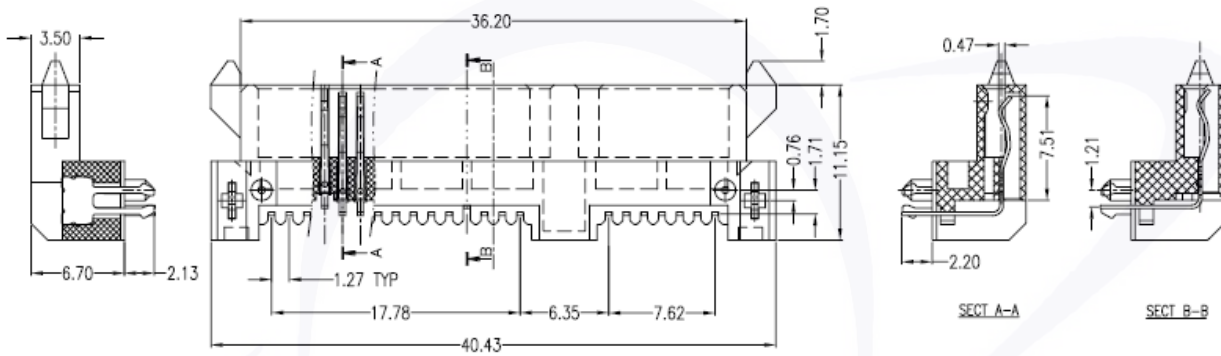
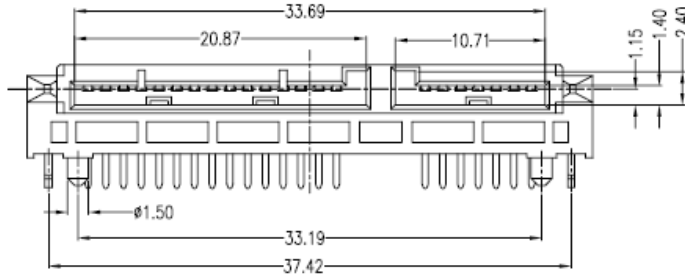
Operation Voltage: 100 VAC Max  
 Current Rating: 1.5 Amp per contact.  
 Contact Resistance: 30m ohm Min.  
 Insulation Resistance: 1000 Megohms Min.  
 Dielectric Withstanding Voltage: 500VAC

**Mechanical**

Insertion Force: 45N Max.  
 Withdrawal Force: 10N Min.  
 Durability: 500 cycles.

**Environmental**

Operating Temperature: -55°C to +125°C



P.C.B LAYOUT (T=1.6mm)

Series-	NO. of Contact	Type	Solder/ Contact Type	Angle	Contact Plating	Contact Material	Insulator Color	Packing	Option	Pin Length	Status-
ATA-	1-	22	[F] Female [SD] Standard/ DIP	[R] Right Angle	[T5] Selective Gold 5u" [T15] Selective Gold 15u"	[P] Phosphor Bronze	[O] Black	[U] Tube		-670	[R]RoHS