

SATA CONNECTOR, 7+15 PINS, FEMALE, STANDARD SMT, PIN LENGTH 5.00mm

Material

Housing: LCP(Black), UL 94V-0 Rated
 Contact: Phosphor Bronze
 Plating: Gold plating over Nickel on contact area
 Tin plating on solder tail.

Mechanical

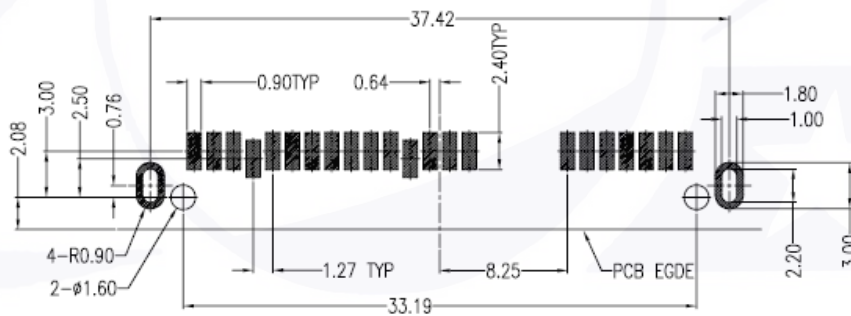
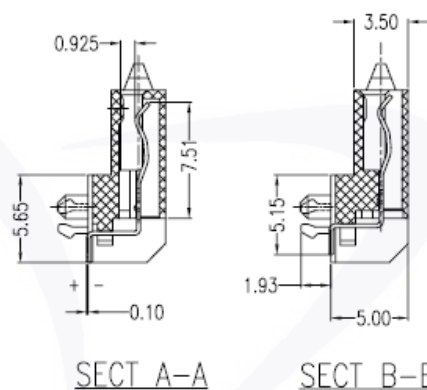
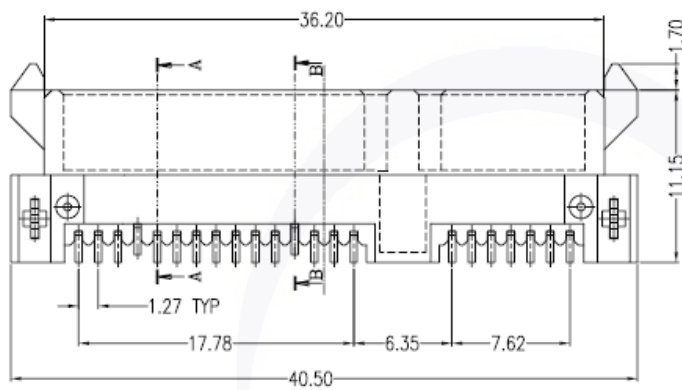
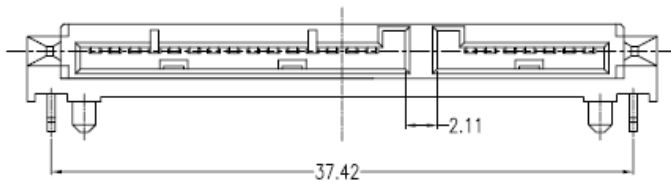
Insertion Force: 45N Max.
 Withdrawal Force: 10N Min.
 Durability: 500 cycles.

Electrical

Operation Voltage: 100 VAC Max
 Current Rating: 1.5 Amp per contact.
 Contact Resistance: 30m ohm Min.
 Insulation Resistance: 1000 Megohms Min.
 Dielectric Withstanding Voltage: 500VAC

Environmental

Operating Temperature: -55°C to +125°C



P.C.B LAYOUT (T=1.0)

Series-	NO. of Contact	Type	Solder/ Contact Type	Angle	Contact Plating	Contact Material	Insulator Color	Packing	Option	Pin Length	Status-
ATA-	1-	22	[F] Female [SM] Standard/ SMT	[R] Right Angle	[T5] Selective Gold 5u" [T15] Selective Gold 15u"	[P] Phosphor Bronze	[O] Black	[U] Tube [Y] Tray		-500	[R]RoHS