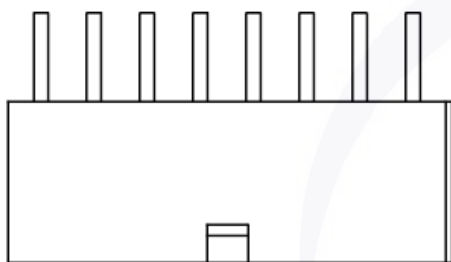
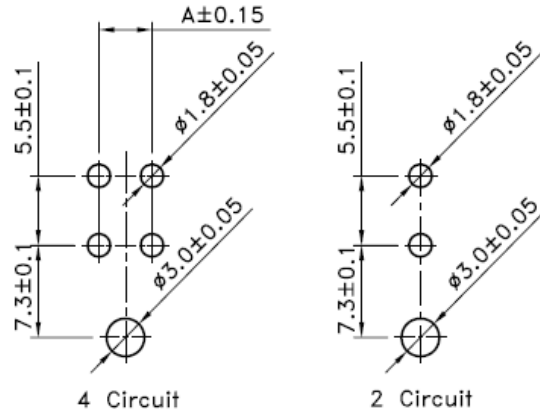
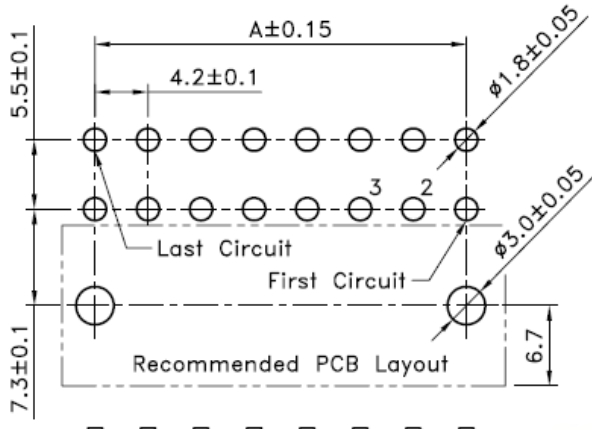


POWER CONNECTOR MINI FIT, PITCH 4.20mm, DUAL ROWS, RIGHT ANGLE DIP, HOOK 3.40mm, WITH POST
Material and finish

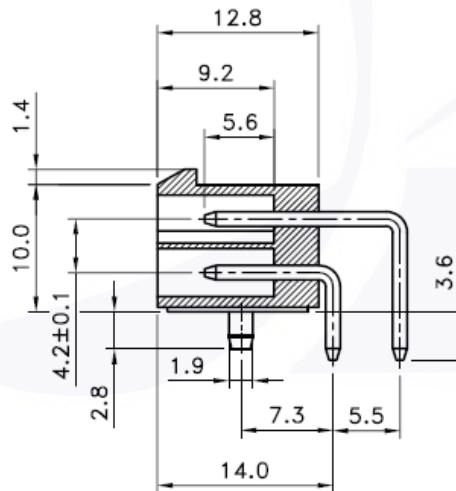
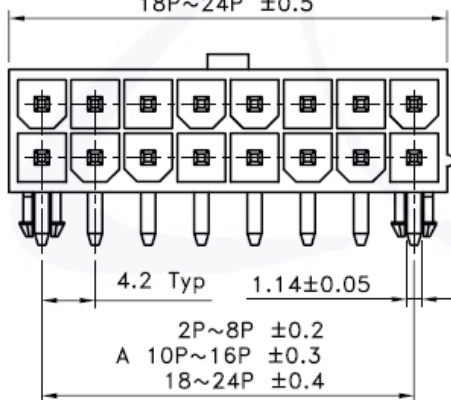
Contact: Brass, Tin plated
 Base: Nylon66, UL92V-2
 Pin: 2 to 24
 Packing: 1000pcs/ Bag

Electrical

Voltage rating: 250V AC/DC
 Current rating: 7A AC/DC
 Withstanding Voltage: 1500V AC/ Min.
 Insulation resistance: 1000M ohm Min.
 Temperature range: -40°C to +105°C
 Contact resistance: 20m ohms Max.



2P~8P ±0.3
 B 10P~16P ±0.4
 18P~24P ±0.5



Poles	Dimensions(mm)	
	A	B
2	----	5.60
4	4.20	9.80
6	8.40	14.00
8	12.60	18.20
10	16.80	22.40
12	21.00	26.60
14	25.20	30.80
16	29.40	35.00
18	33.60	39.20
20	37.80	43.40
22	42.00	47.60
24	46.20	51.80

Series-	Pitch	Row	NO. of Pins Per Row	Type	Hook	Post	Color	Material	Packing	Option	Status-
PWB	1- [3] 4.20	[D] DUAL	xx 02~24	[R] Right Angle/ DIP	[2] 3.40	[1] W/	[1] WHITE [11] IVORY [2] TRANSPARENT	[2] N66	[G] Bag		[R]RoHS