

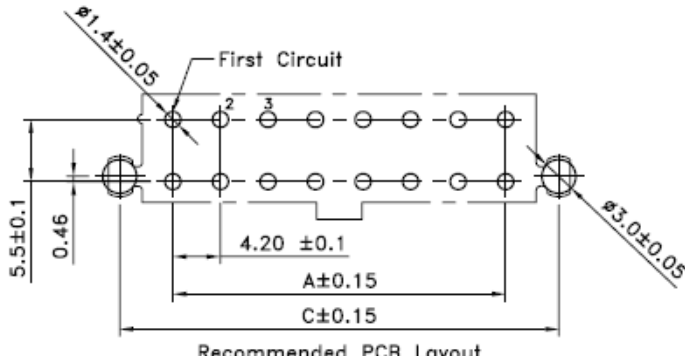
POWER CONNECTOR MINI FIT, PITCH 4.20mm, DUAL ROWS, STRAIGHT DIP, HOOK 3.40mm, WITH POST

Material and finish

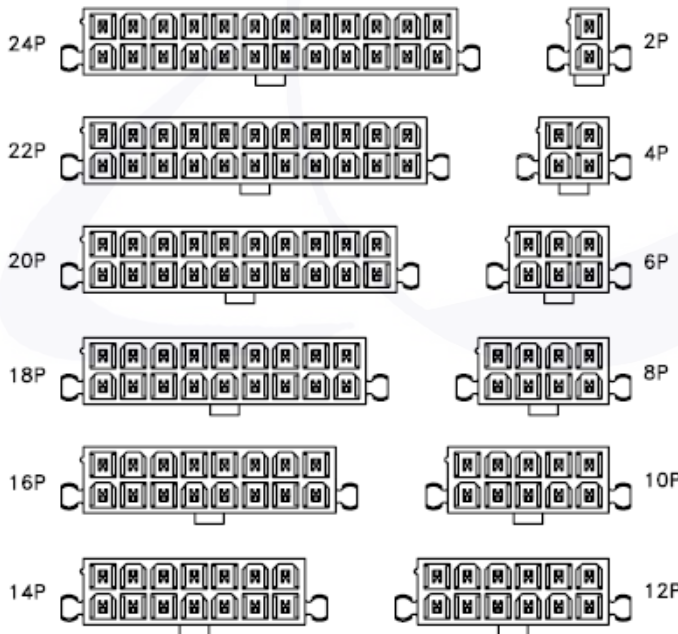
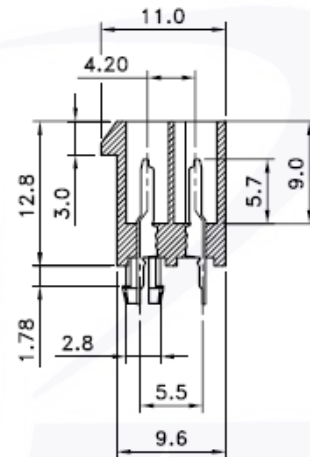
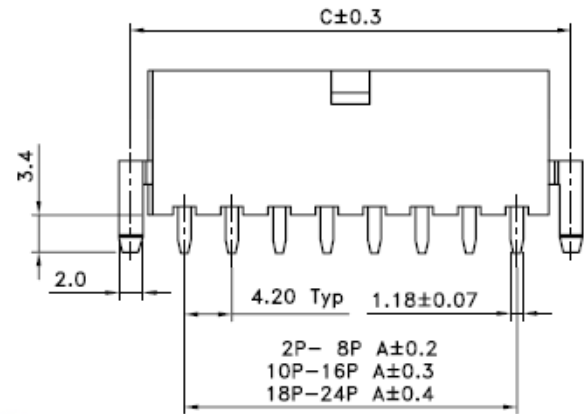
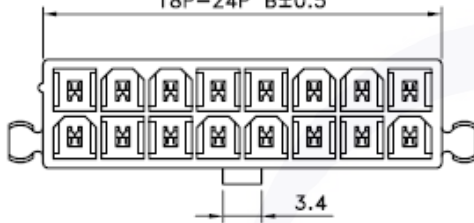
Contact: Brass, Tin plated
 Base: Nylon66, UL92V-2
 Pin: 2 to 24
 Packing: 1000pcs/ Bag

Electrical

Voltage rating: 250V AC/DC
 Current rating: 7A AC/DC
 Withstanding Voltage: 1500V AC/ Min.
 Insulation resistance: 1000M ohm Min.
 Temperature range: -40°C to +105°C
 Contact resistance: 20m ohms Max.



2P- 8P B±0.3
 10P-16P B±0.4
 18P-24P B±0.5



Pole:	Dimensions(mm)		
	A	B	C
2	---	5.60	9.40
4	4.20	9.80	13.60
6	8.40	14.00	17.80
8	12.60	18.20	22.00
10	16.80	22.40	26.20
12	21.00	26.60	30.40
14	25.20	30.80	34.60
16	29.40	35.00	38.80
18	33.60	39.20	43.00
20	37.80	43.40	47.20
22	42.00	47.60	51.40
24	46.20	51.80	55.60

Series-	Pitch	Row	NO. of Pins Per Row	Type	Hook	Post	Color	Material	Packing	Option	Status-
PWB	1- [3] 4.20	[D] DUAL	xx 02~24	[S] Straight/ DIP	[2] 3.40	[1] W/	[1] WHITE [11] IVORY [2] TRANSPARENT	[2] N66	[G] Bag		[R]RoHS