

DDR S.O. DIMM SOCKET 0.6mm PITCH, 200 PINS, 9.2 HEIGHT, REVERSE

Material

Housing: LCP with 30% G.F. UL94V-0

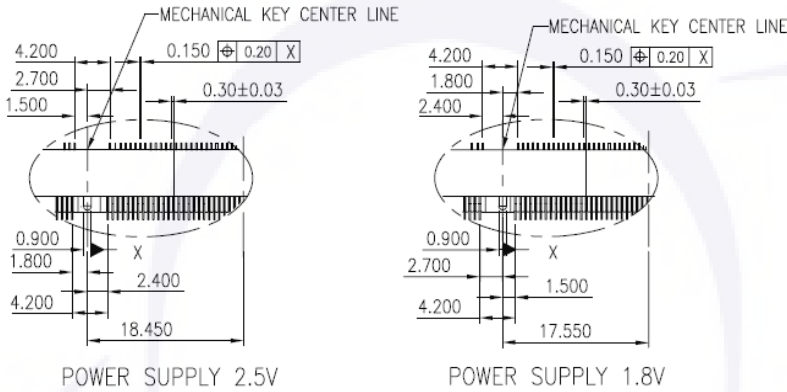
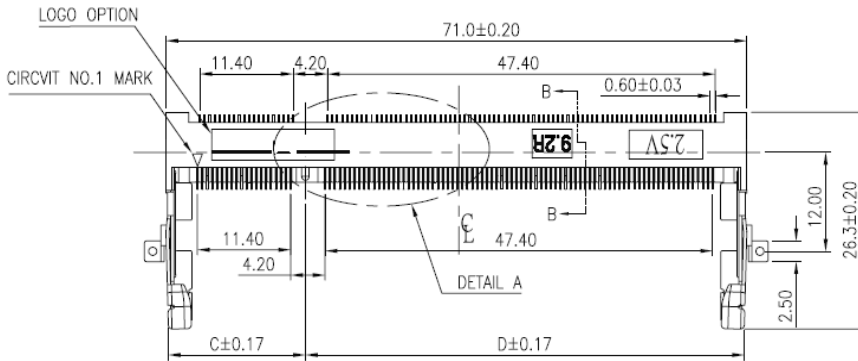
Contact: Brass

Latch: Stainless

Finish

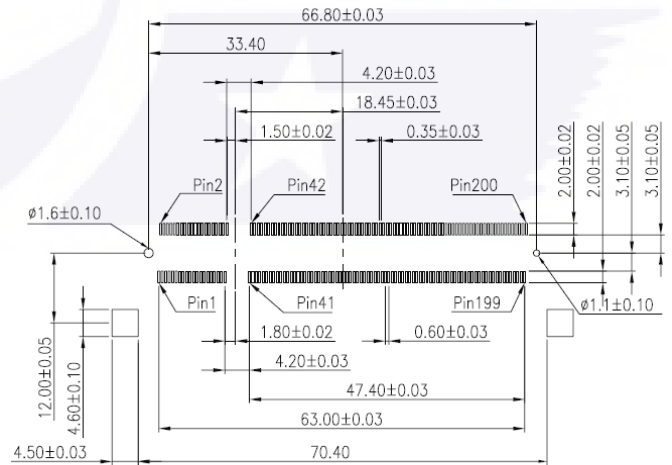
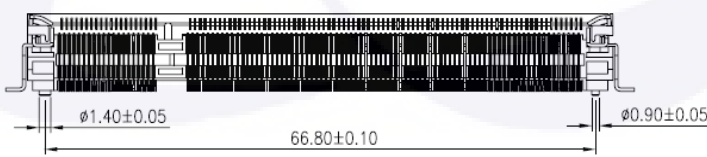
Contact: Gold plated on contact and soldering end over 50u" Min. Nickel under-plating.

Latch: 60~100u" Sn only (matte) plating over 50u" Min. Nickel under-plating.

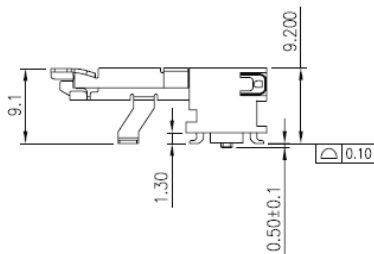


	C±0.17	D±0.17
1.8V	17.67	52.77
2.5V	16.77	53.67

DETAIL A VOLTAGE OPTION



Recommended P.C.Board Layout.



Series-	Type	Height	Voltage	COLOR	PLATING
S200-	[R] REVERSE	[2] 9.2	[2] 2.5V	[0] BLACK [11] IVORY	[G1] FULL GOLD PLATED 1u"