

USB CONNECTOR, FOR PCB, A TYPE, FEMALE, 4 PINS, DIP, RIGHT ANGLE, SHORT TYPE

Material

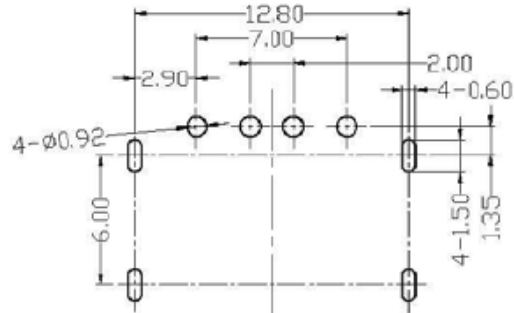
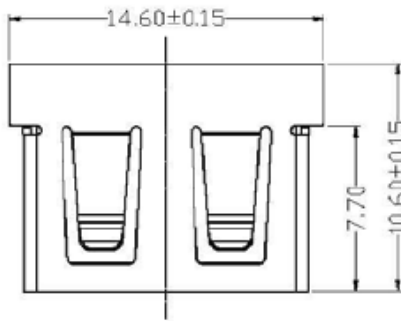
Insulation Material: Thermoplastic
 Shell: Copper Alloy, T:0.30mm; Nickel
 Terminal: Copper Alloy, T:0.25mm; Gold/Tin plated

Electrical

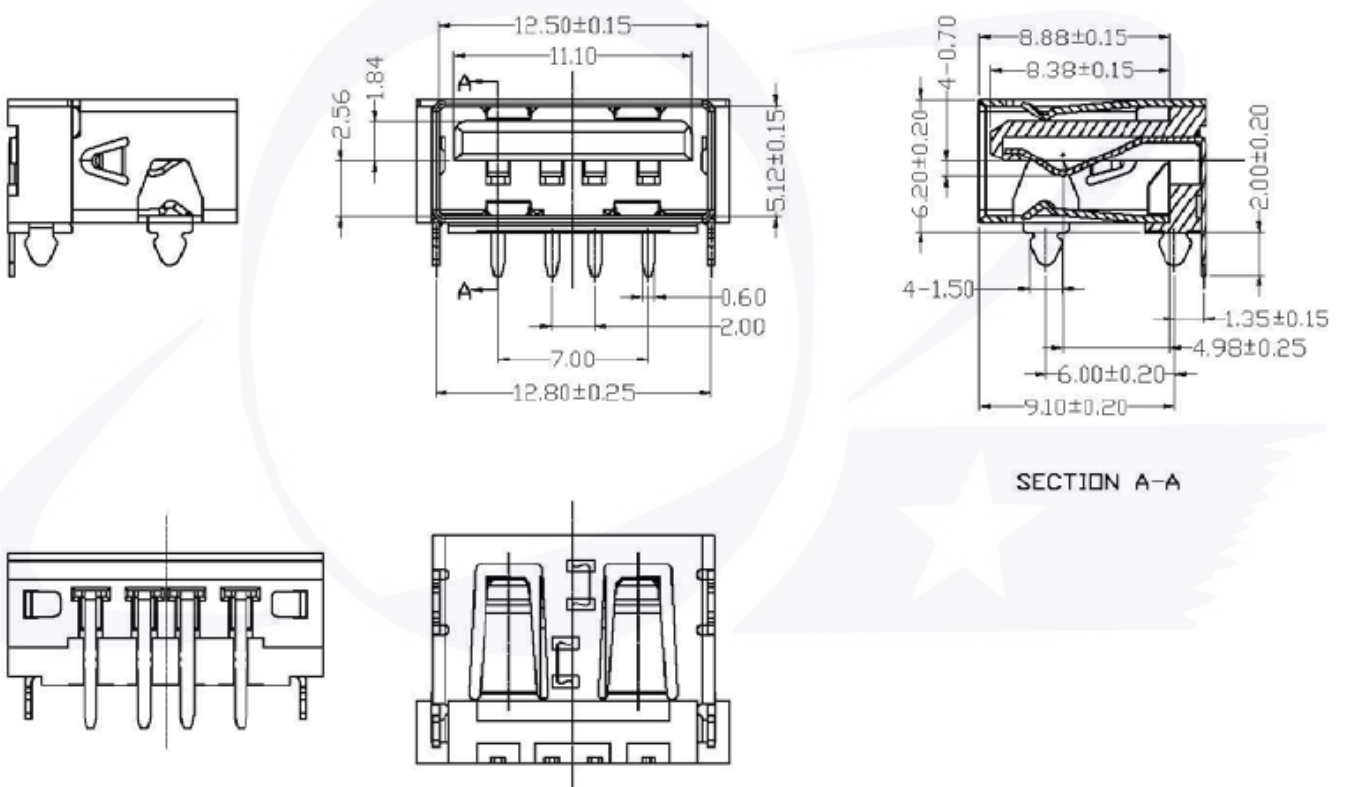
Insulation Resistance: 1000M ohms Min.
 Contact Resistance: 30m ohms Max
 Withstanding Voltage: 500V AC

Mechanical Characteristics:

Insertion Force: 3.57Kgf Max
 Extraction Force: 1.02Kgf Min



RECOMMENDED P. C. B LAYOUT
 PCB THICKNESS=0.60MM (TOLERANCE=±0.05)



SECTION A-A

Series-	Type	Style	No. Pins	Angle	Deck	Color	Plating	Packing-	Option-	Status-
UP	2-	[A] A TYPE	[2] FEMALE	4	[R] 90°/DIP	[1] SINGLE DECK	[0] BLACK [4] BLUE	[T1] SELECTIVE GOLD PLATED 1u" [T30] SELECTIVE GOLD PLATED 30u"	[G] BAG [X] BOX [R] REEL [U] TUBE [Y] TRAY	[R]RoHS