

USB CONNECTOR, FOR PCB, A TYPE, FEMALE, 4 PINS, DIP, RIGHT ANGLE, SHORT TYPE
Material

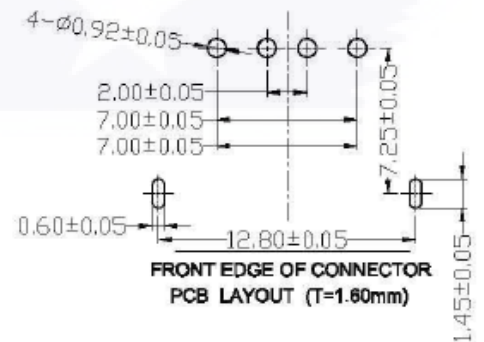
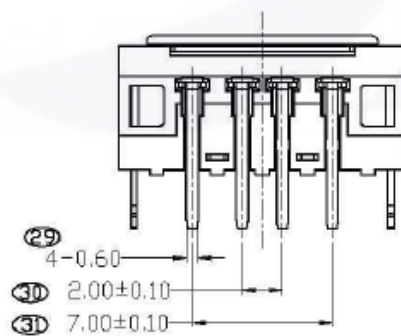
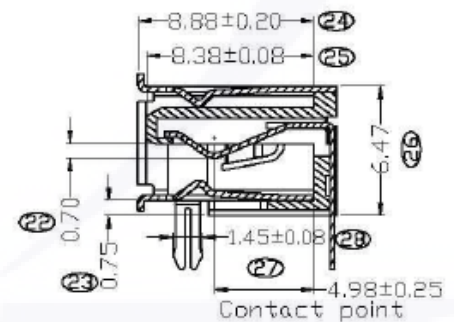
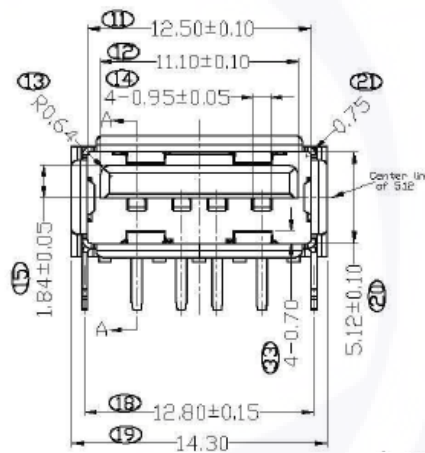
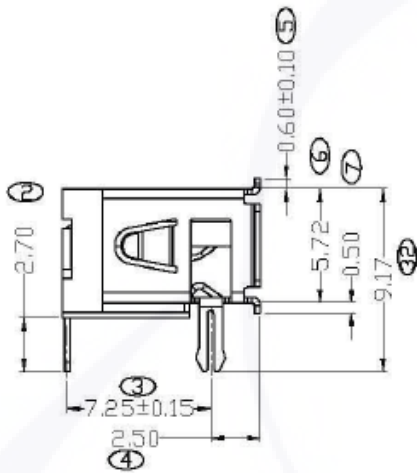
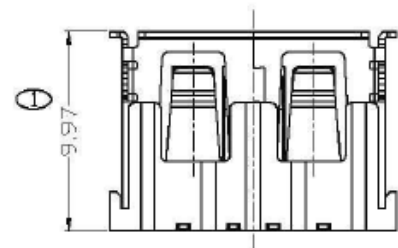
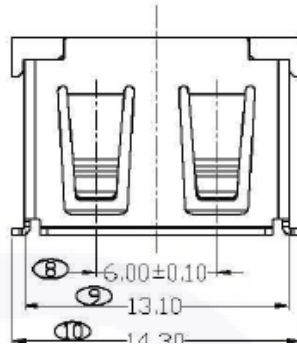
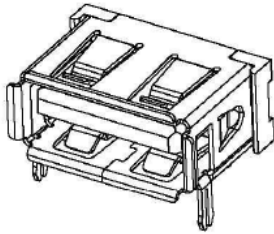
Housing: PA66, BLACK UL94V-0
 Terminal: C5191R-H, T=0.25
 Shell: C5191R-H, T=0.30

Electrical

Contact Resistance: 30 ohms Max.
 Dielectric Withstanding Voltage: 500V AC for 1 minute
 Insulation Resistance: 1000 ohms Min

Mechanical

Insertion Force: 35N (3.57KGF) Max
 Extraction Force: 10-35N (1.02-3.57 KGF) Min
 Durability: 1500 cycle extraction force: 10~35N
 5000 cycles Min
 5000 cycles extraction force: 3~35N



| Series- | Type | Style | No. Pins | Angle | Deck | Color | Plating | Packing- | Option- | Status- |
|---------|------|-----------------------|----------|-------------|-----------------|-----------------------|--|--|---------|---------|
| UP | 3- | [A] A TYPE [2] FEMALE | 4 | [R] 90°/DIP | [1] SINGLE DECK | [0] BLACK [4] BLUE | [T1] SELECTIVE GOLD PLATED 1u" [T30] SELECTIVE GOLD PLATED 30u" | [G] BAG [X] BOX [R] REEL [U] TUBE [Y] TRAY | | [R]RoHS |