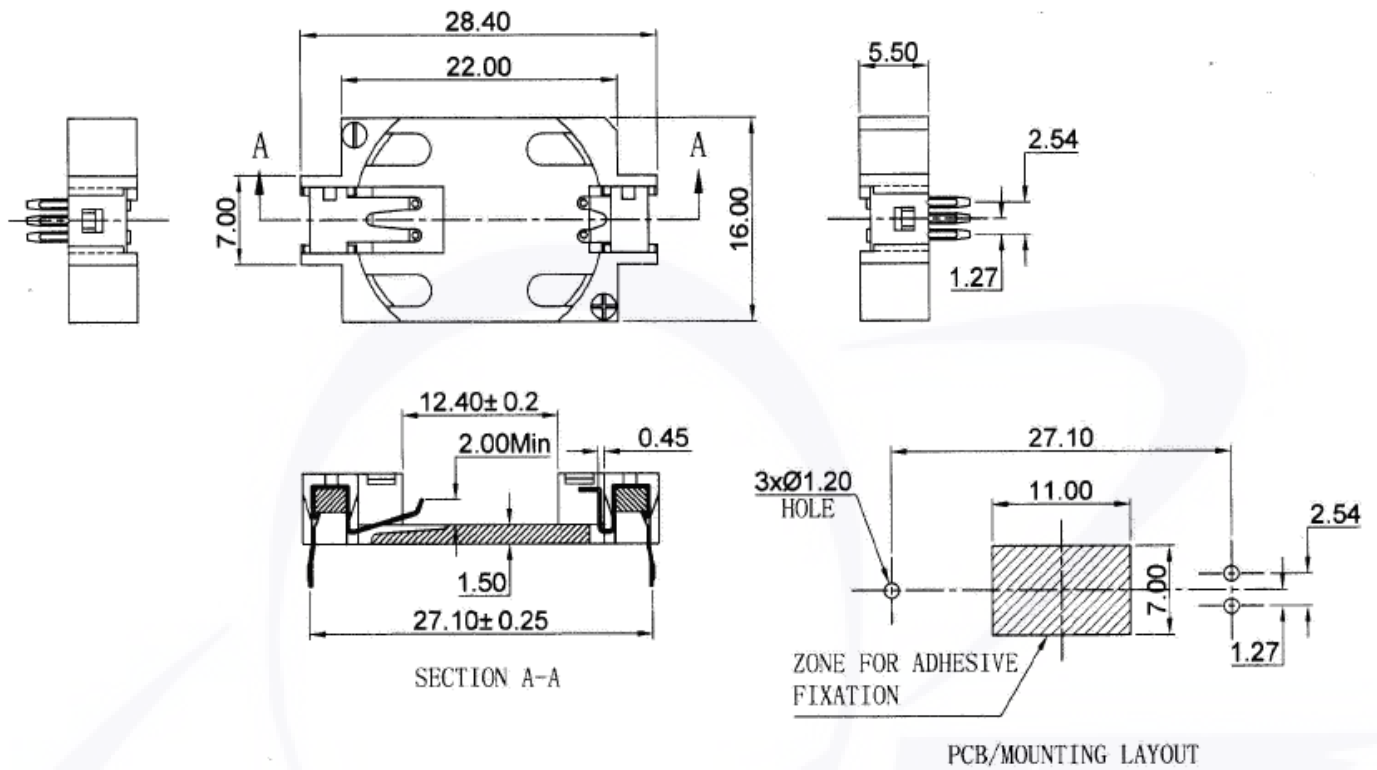


BATTERY HOLDER FOR 2032 COIN CELL WITH DIP STYLE

Material and finish

MATERIAL: HOUSING-LCP 30%GF UL94V-0
 COLOR: WHITE
 CONTACT: PHOSPHOR BRONZE C5191R-H
 PLATING: TIN 120u" MIN OVER Ni

RoHS COMPLIANT



Series-	IEC 60086 Designation-	Option	Status-
BHC-	1- 2032-		[R]RoHS