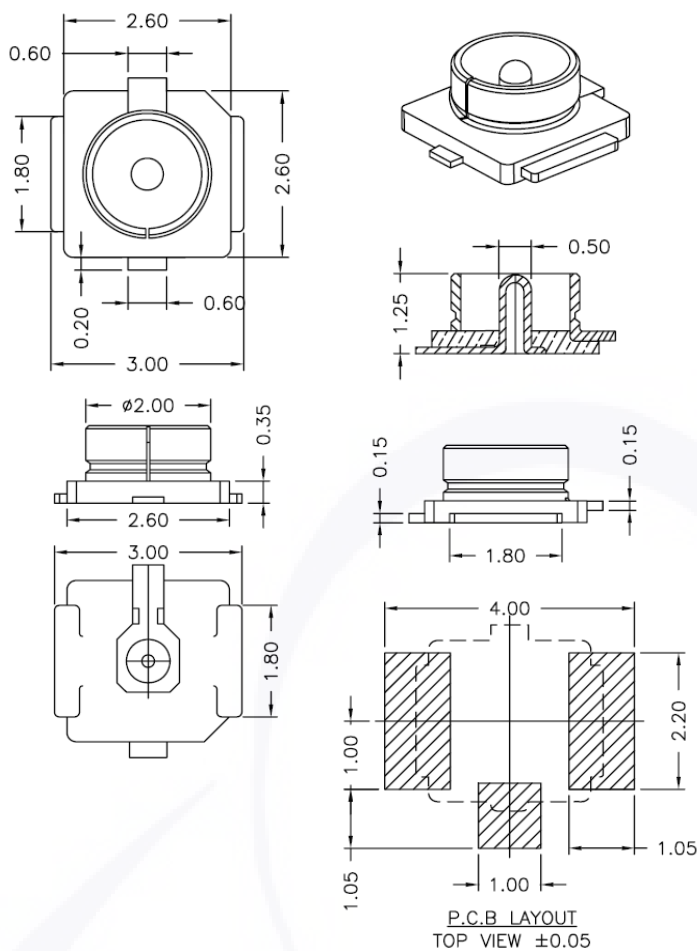


RF CONNECTOR MICROCOAXIAL FEMALE PCB MOUNT SMT METAL SHIELD

RoHS COMPLIANT



Material and finish

HOUSING: HI-TRMP. PLASTIC, UL 94V-0
SHELL: COPPER ALLOY, GOLD PLATED
TERMINAL: COPPER ALLOY, GOLD PLATED

SPECIFICATION

CURRENT RATING: 0.5 AMP MAX
DIELECTRIC WITHSTANDING: 100V AC FOR ONE MINUTE
CONTACT RESISTANCE: 80m OHMS MAX
INSULATION RESISTANCE: 500M OHMS MIN AT DC 500V
OPERATION TEMPERATURE: -40°C~ +90°C

Series NO.	Free Code	Type	OHM	Contact	Plating	Status
RF-		[2] FEMALE	[5] 50	[2] SMT	[G1] Gold Flash	[R] RoHS