

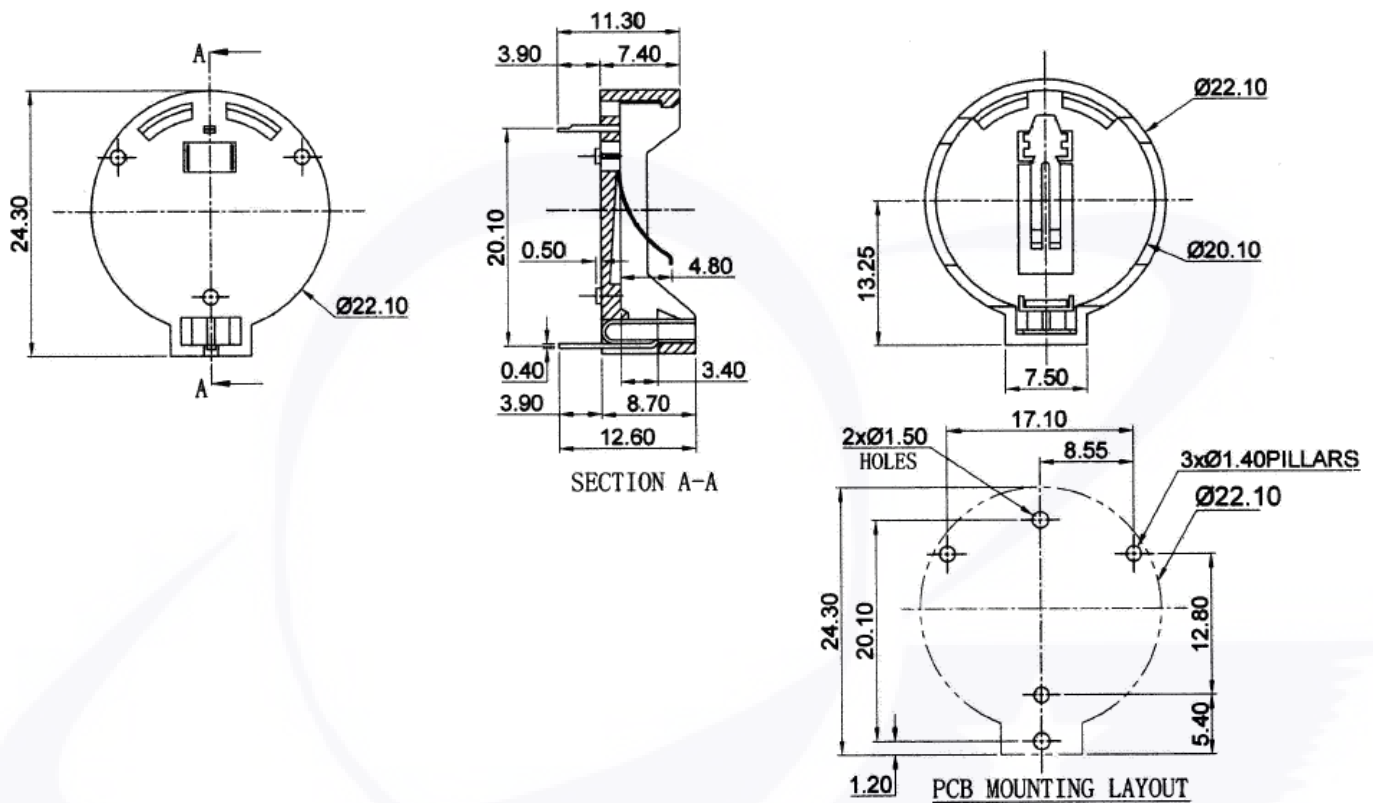
BATTERY HOLDER FOR 2032 COIN CELL WITH DIP STYLE

Material and finish

Housing: PBT UL 94V-0 Black Color.
 Contact: Phosphor Bronze 0.2 THK
 Tin Plated over Nickel

Electrical

Current Rating: 3A (AC/DC)
 Voltage Rating: 500V (AC/DC)
 Contact: Resistance: 30 Milliohms.
 Insulation Resistance: 1000 Megaohms
 Temperature Range: -55°C to +105°C
 Humidity: 40°C and 90-95% RH for 96 hours



Series-	IEC 60086 Designation-	Option	Status-
BHC-	2- 2032-		[R]RoHS