

MODULAR JACK RJ45 NON-SHIELDED 8P8C TOP ENTRY PCB JACK WITH FLANGE

Material and Finish

Housing: Thermoplastic UL 94V-0

Contact: Full Gold Plating

Spring Wire: Dia. 0.45mm Phosphor Bronze Optional Gold Plating Over Nickel.

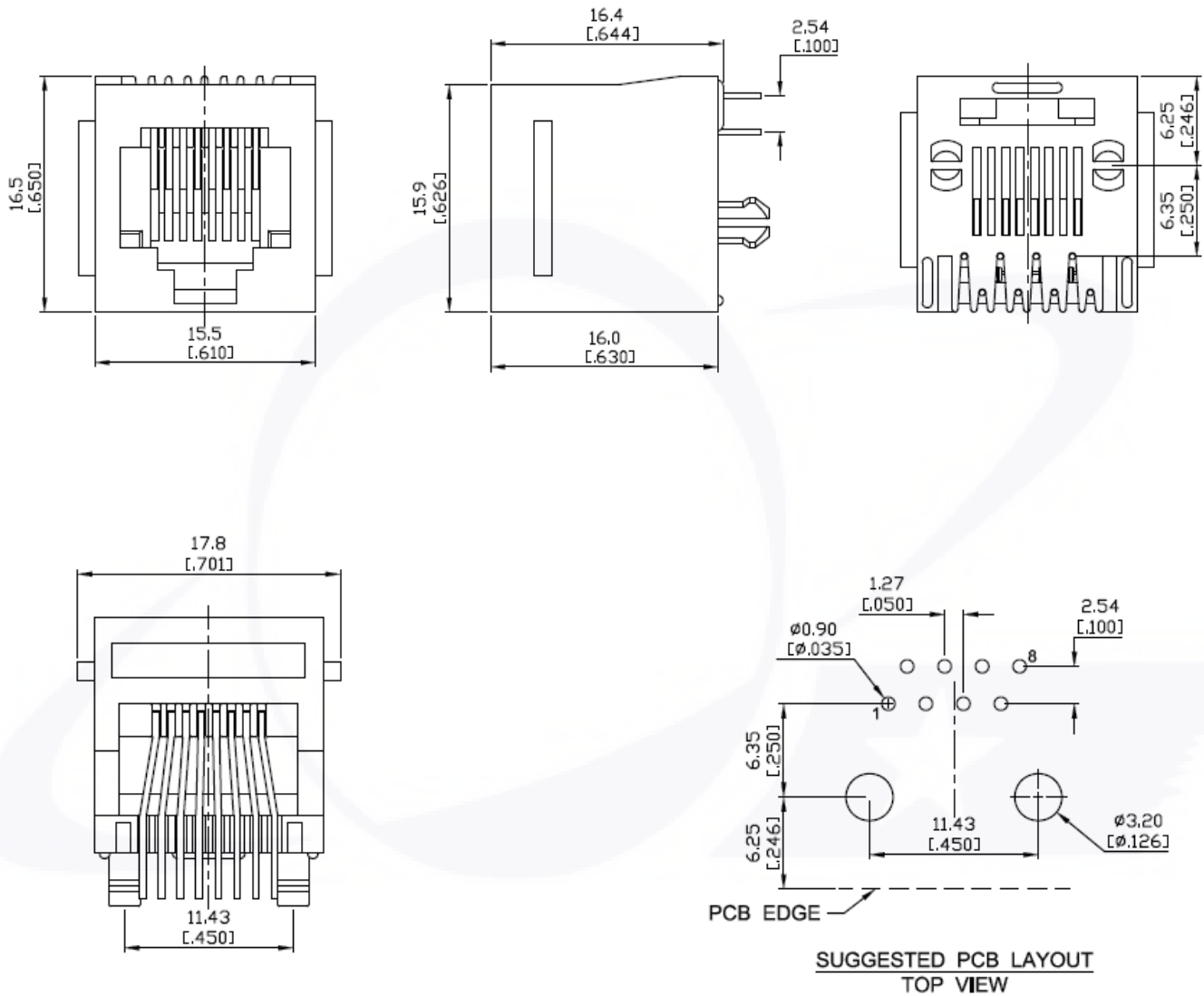
Electrical Characteristics

Insulation Resistance: 500M ohms Min.

Contact Resistance: 30m ohms Max.

Withstanding Voltage: 1000VAC 1 minute.

Current Rating: 1.5A



Series	Position	Contact	Angle	Deck	No. of Port	Plating	Packing	Option	Status
RJP-	1-	[8] 8	[S] 180°	[1] SINGLE DECK		[G3] GOLD PLATED 3u"	[Y] TRAY		[R] RoHS