

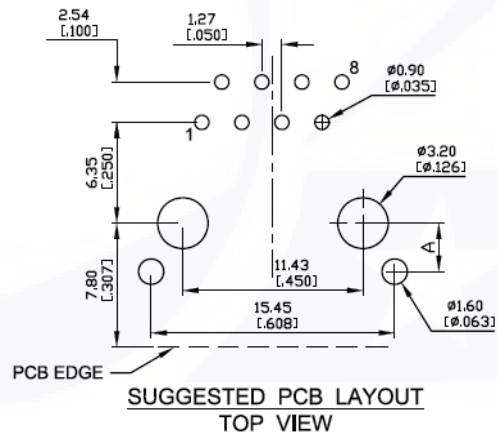
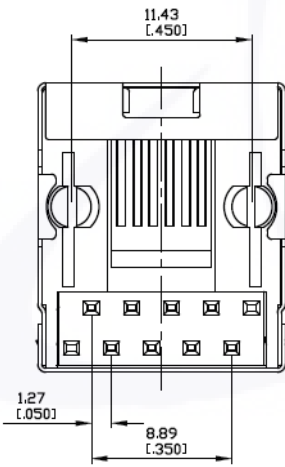
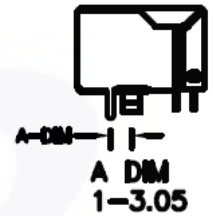
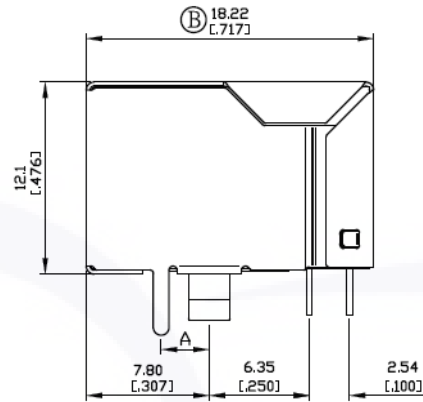
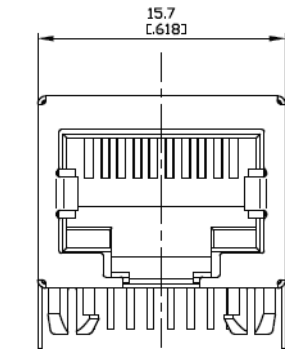
## MODULAR JACK RJ45 SHIELDED 8P8C SIDE ENTRY PCB JACK

### Material and Finish

Housing: Thermoplastic UL94V-0  
 Contact: Selective Gold Plating  
 Terminal: 0.35mm Thickness Phosphor Bronze plated with Gold and Tin in Solder Area  
 Shielded: Brass, Nickel plating  
 CUL File No.: E215573

### Electrical Characteristics

Insulation Resistance: 500M ohms Min.  
 Contact Resistance: 50m ohms Max.  
 Withstand Voltage: 1000VAC 1 minute.  
 Current Rating: 1.5A



Series	Position	Contact	Angle	Deck	No. of Port	Plating	Packing	Option	Status
RJS-	2-	[8] 8	[R] 90°	[1] SINGLE DECK		[G3] GOLD PLATED 3u"	[Y] TRAY		[R] RoHS