

MIRCO SD 8 PINS + SIM 8 PINS COMBO CARD HOLDER

MATERIAL

HOUSING: HI-TEMP. THERMOPLASTIC, UL 94V-0
 CONTACT: PHOSPHOR BRONZE
 SHELL: STAINLESS STEEL
 PLATING:
 CONTACT: PLATED 50u" Ni OVERALL
 PLATED Au SELECTIVE CONTACT AREA
 PLATED 100 u" Sn OVER NICKEL ON SOLDER AREA
 SHELL: PLATED 50 u" Ni OVERALL
 PLATED Au SELECTIVE CONTACT AREA

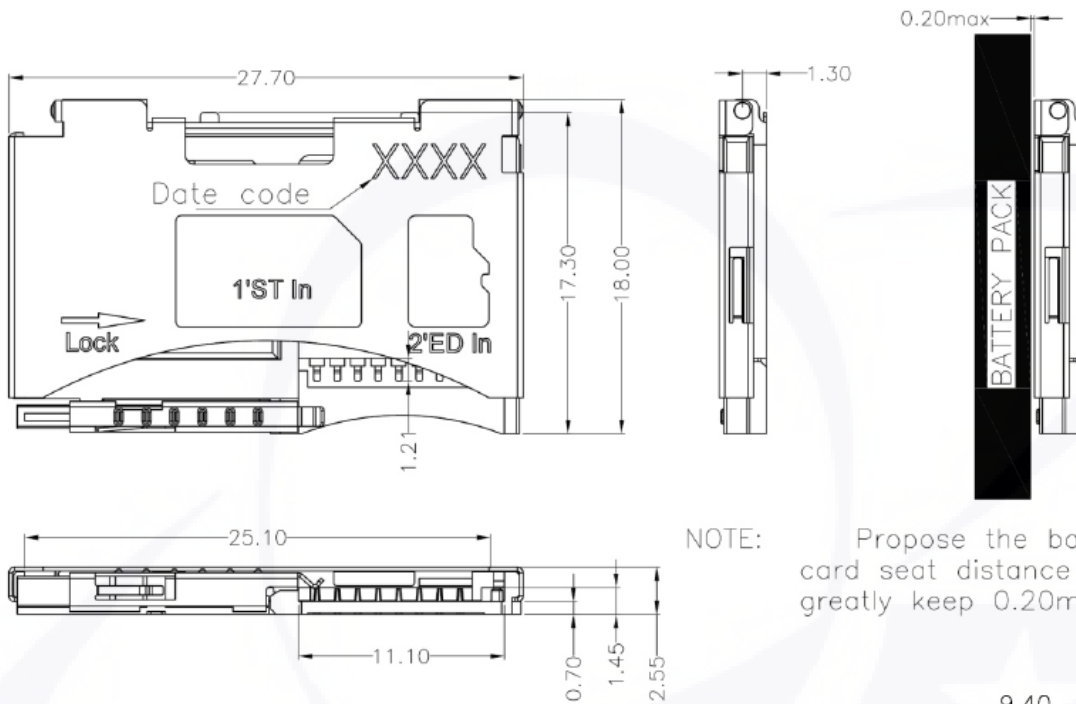
SPECIFICATION

CURRENT RATING: 0.5mA MAX.
 CONTACT RESISTANCE: 100m OHMS MAX.
 INSULATION RESISTANCE: 1000 M OHMS MIN./500V DC
 DIELECTRIC WITHSTANDING VOLTAGE: 500V AC/1 MIN.
 OPERATING TEMPERATURE: -25°C TO +85°C
 MATING CYCLES: 10,000 INSERTIONS

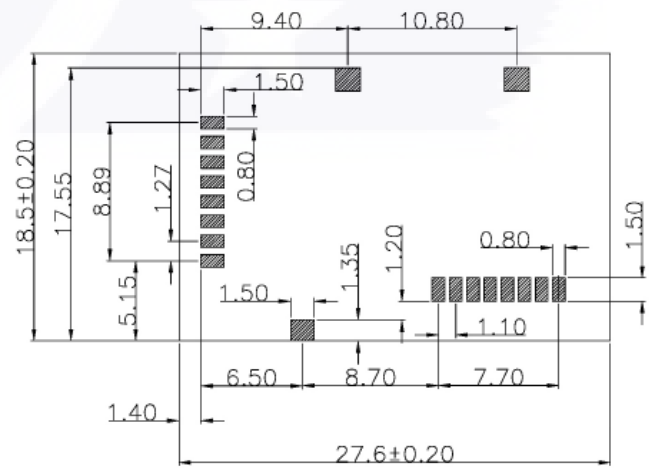
Usable Memory Card:

- Micro SD Card
- SIM Card

Drawing: (Unit:mm .X ± 0.38 .XX ±0.25 .XXX ± 0.10)



NOTE: Propose the battery and card seat distance most greatly keep 0.20mm



Recommend PCB Layout:(Unit:mm .X ± 0.10 .XX ±0.05 .XXX ± 0.02)

Series NO.	Free Code	NO. of Pos.	NO. of Pos.	Contact	Packing	Status
SOM	1-	08	08	[2] SMT	[R] Reel	[R] RoHS
		(MICRO SD CARD) (SIM CARD)				