

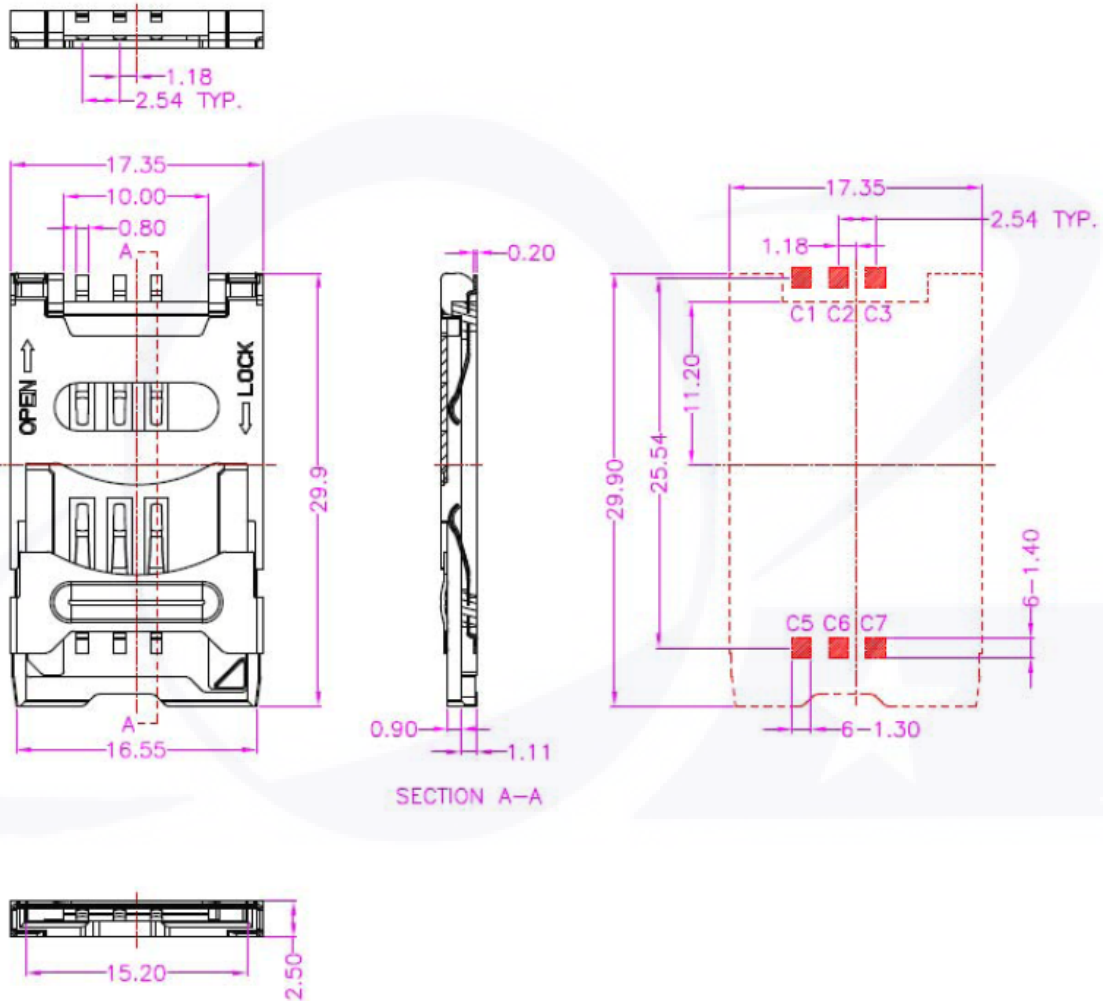
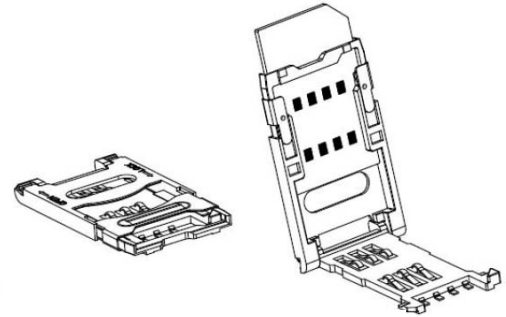
## SIM CARD HOLDER WITH SWITCH 6 PINS METAL SHIELD HINGE TYPE

### MATERIALS

HOUSING: HI-TEMP. PLASTIC (UL 94V-0), BLACK  
 SHELL: STAINLESS STEEL  
 TERMINAL: PHOSPHOR BRONZE,  
 GOLD PLATED ON CONTACT AREA TIN PLATED  
 TIN PLATED ON SOLDER TAIL.

### SPECIFICATION

CURRENT RATING: 0.5 AMP MAX.  
 DIELECTRIC WITHSTANDING: 500V AC FOR ONE MINUTE.  
 CONTACT RESISTANCE: 30m OHMS MAX.  
 INSULATION RESISTANCE: 1000M OHMS MIN. AT DC 500V.  
 OPERATION TEMPERATURE: -25°C ~ +85°C



Series NO.	Free Code	NO. of Pos.	Contact
SIM-	2-	06	[2] SMT