

**MICRO USB CONNECTOR, FOR PCB, AB TYPE, FEMALE, 5 PINS, SMT**

**Specification**

Contact Resistance:

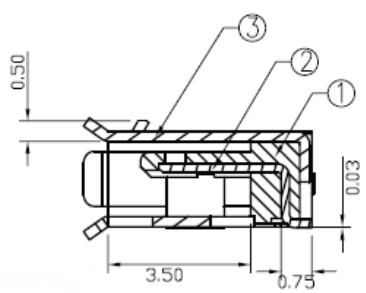
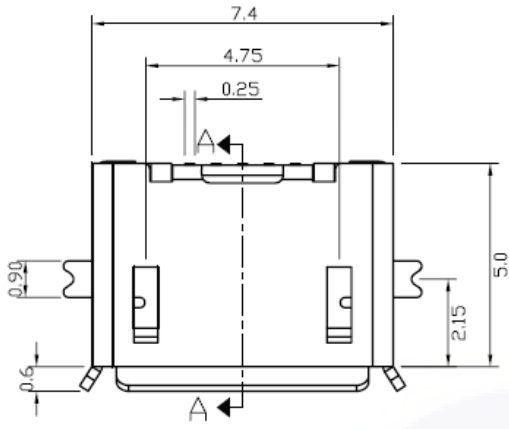
- (1) 30m Ohms Max. at 100mA
- (2) 10,000 Cycles After: 40m ohms Max. at 100mA

Rated Voltage: AC 30V

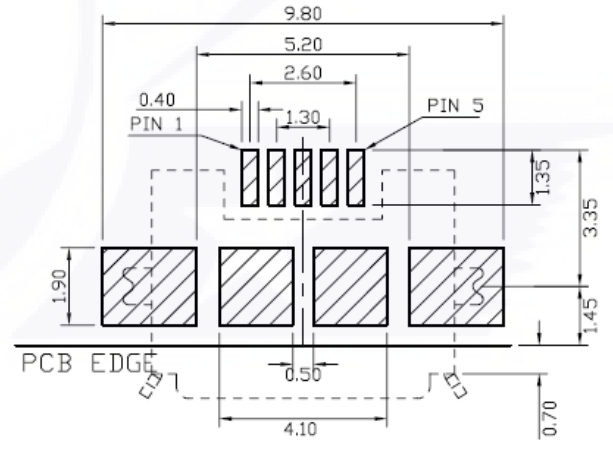
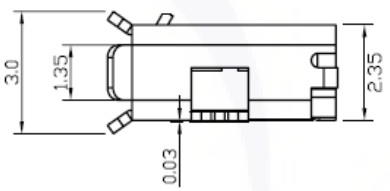
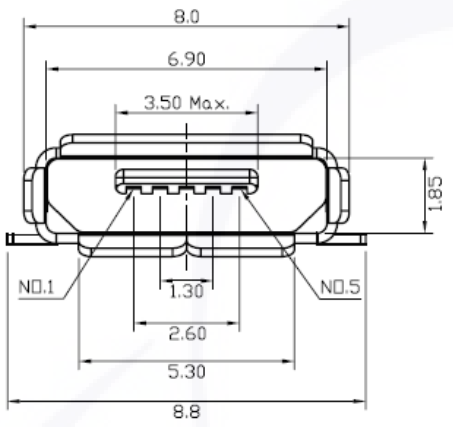
Contact Current Rating:

- (1) Signal Line: 1A/Pin (NO. 1 to 5)
- (2) 2-Line for Power: 1.8A/Pin (NO.1 and 5), 0.5A/Pin (NO. 2 to 4)

Insulation Resistance: 100M Ohms Min. At 500V DC  
 Dielectric Withstanding Voltage: 100V AC for 1 Minute  
 Durability (Life Test): 10,000 Cycles  
 Insertion Force: 35 Newton Max.  
 Extraction Force: 8 Newton Min.  
 Operating Temperature: -30°C to +80°C  
 Solderability: 260°C± 5°C; 5 Sec.



SECTION A-A



COMPONENT SIDE  
PCB LAYOUT

Series-	Type	Style	No. Pins	Deck	Insulator Color	Plating	Packing-	Status-
UMP-	1-	[C] AB TYPE [2] FEMALE	5	[M] SMT [1] SINGLE DECK	[0] BLACK	[G30] GOLD PLATED 30u"	[G] BAG [X] BOX [R] REEL [U] TUBE [Y] TRAY	[R]RoHS