

MICRO USB CONNECTOR, FOR PCB, B TYPE, FEMALE, 5 PINS, SMT (WITH 2 POSTS)

Specification

Contact Resistance:

(1) 30m Ohms Max. at 100mA

(2) 10,000 Cycles After: 40m ohms Max. at 100mA

Rated Voltage: AC 30V

Contact Current Rating:

(1) Signal Line: 1A/Pin (NO. 1 to 5)

(2) 2-Line for Power: 1.8A/Pin (NO.1 and 5), 0.5A/Pin (NO. 2 to 4)

Insulation Resistance: 100M Ohms Min. At 500V DC

Dielectric Withstanding Voltage: 100V AC for 1 Minute

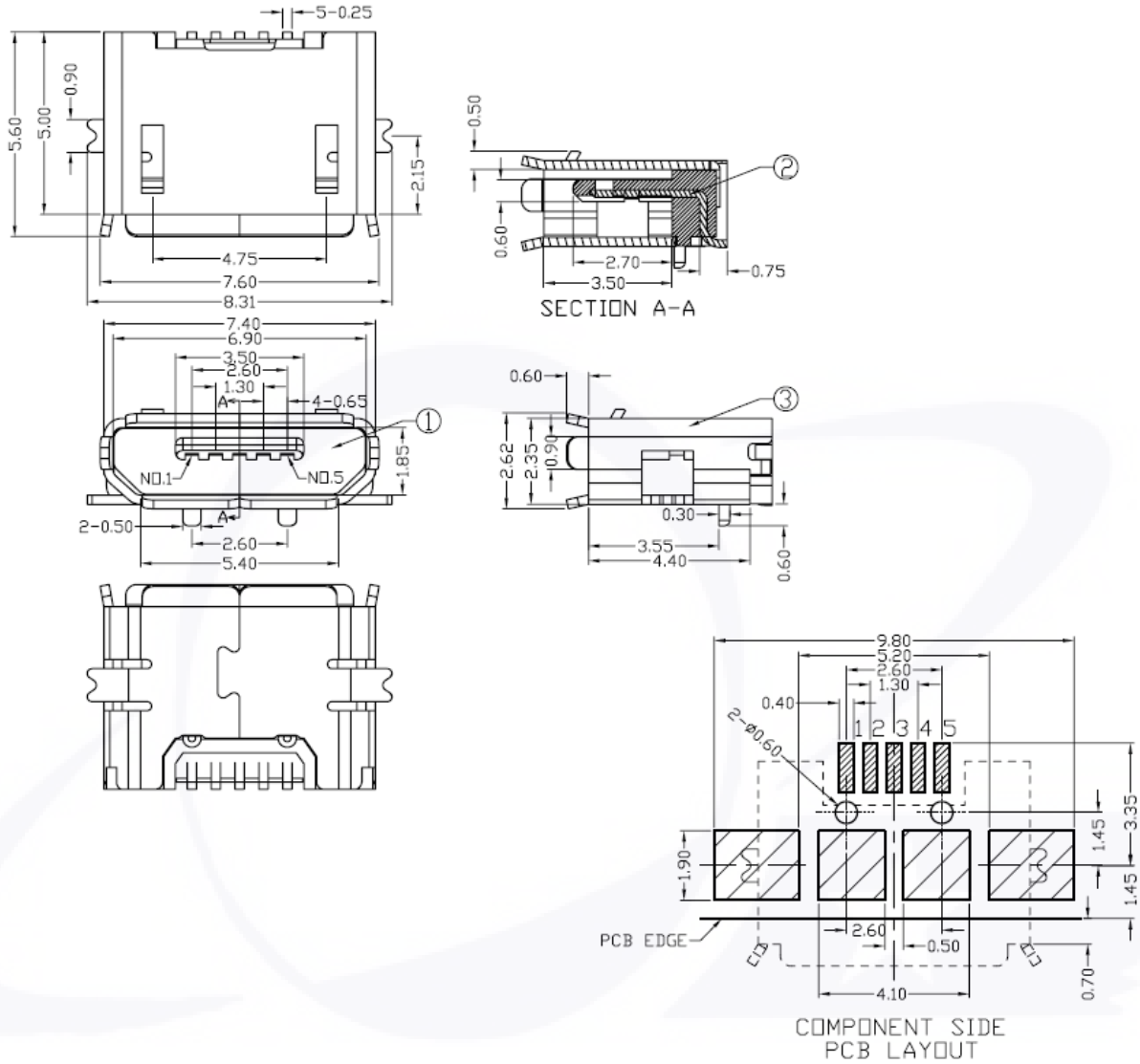
Durability (Life Test): 10,000 Cycles

Insertion Force: 35 Newton Max.

Extraction Force: 8 Newton Min.

Operating Temperature: -30°C to +80°C

Solderability: 255°C± 5°C; 5 Sec.



Series-	Type	Style	No. Pins	Deck	Insulator Color	Plating	Packing-	Status-
UMP-	1- [B] B TYPE	[2] FEMALE	5 [M] SMT	[1] SINGLE DECK	[0] BLACK	[G30] GOLD PLATED 30u"	[G] BAG [X] BOX [R] REEL [U] TUBE [Y] TRAY	[R]RoHS