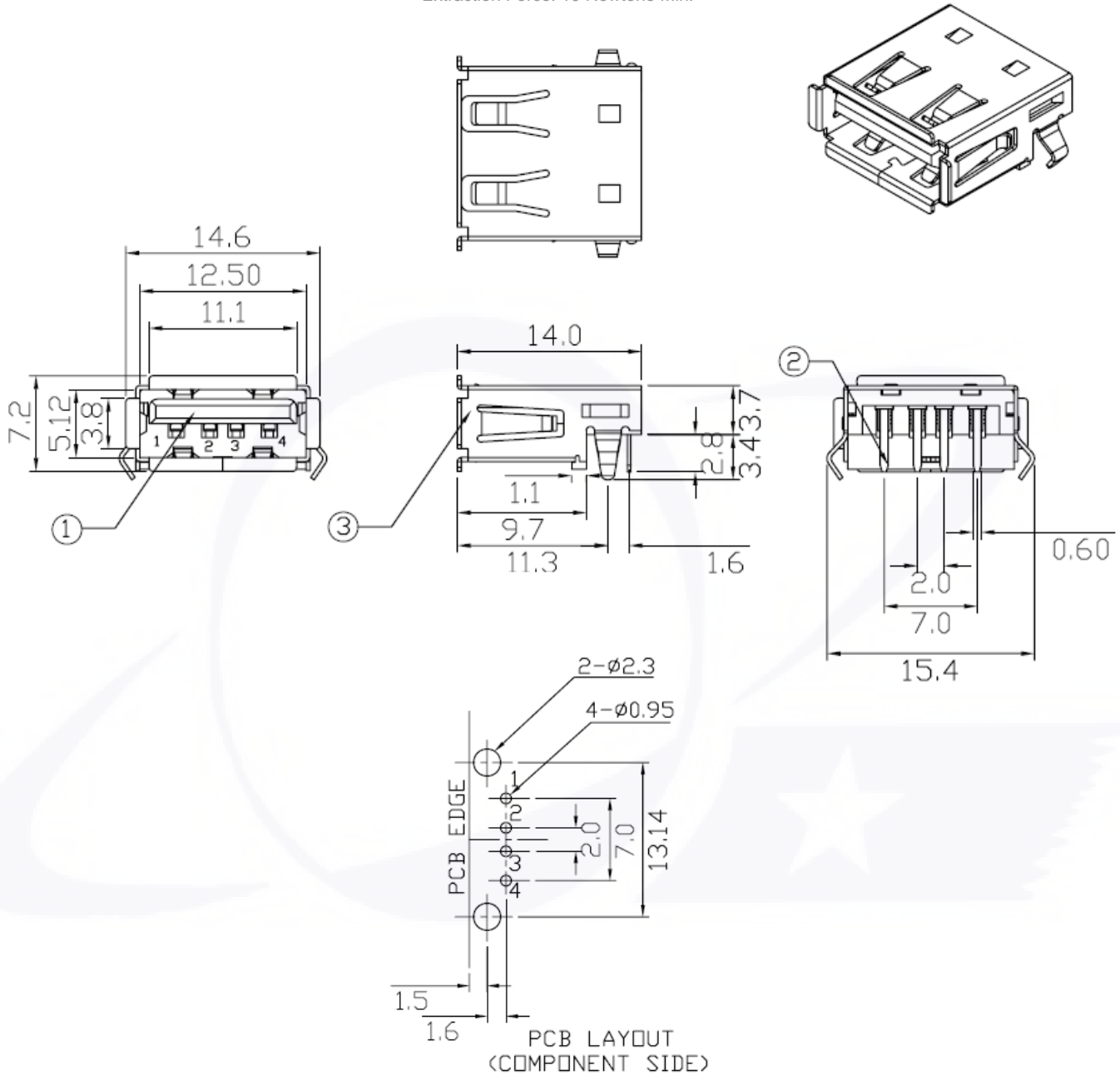


**USB CONNECTOR FOR PCB A TYPE FEMALE 4 PINS DIP RIGHT ANGLE LOW PROFILE**
**Material and Finish**

Housing: PBT G.F., WHITE  
 Pin Term.: Phos. Bronze T=0.25, Gold/Tin plated  
 Shell: Brass T:0.3, Nickel plated

**Electrical**

Contact Resistance: 30m ohms Max  
 Insulation Resistance: 1000M ohms Min. At 500VDC  
 Rated Voltage and Current: 1.5A at 250VAC Min.  
 Dielectric Withstanding Voltage: 750VAC (rms) for 1 Minute  
 Durability (Life Test): 1500 Cycles  
 Insertion Force: 35 Newton Max.  
 Extraction Force: 10 Newton Min.



Series-	Type	Style	No. Pins	Angle	Deck	Color	Plating	Packing-	Option-	Status-
UP-	3- [A] A TYPE	[2] FEMALE	4	[R] 90°DIP	[1] SINGLE DECK	[1] WHITE	[T1] SELECTIVE GOLD PLATED 1u"	[G] BAG [X] BOX [R] REEL [U] TUBE [Y] TRAY		[R]RoHS