

## USB CONNECTOR, FOR PCB, B TYPE, FEMALE, 4 PINS, DIP, RIGHT ANGLE

### Specification

Contact Resistance: 30m ohms Max.

Insulation Resistance: 1000M ohm Min. at 500V DC.

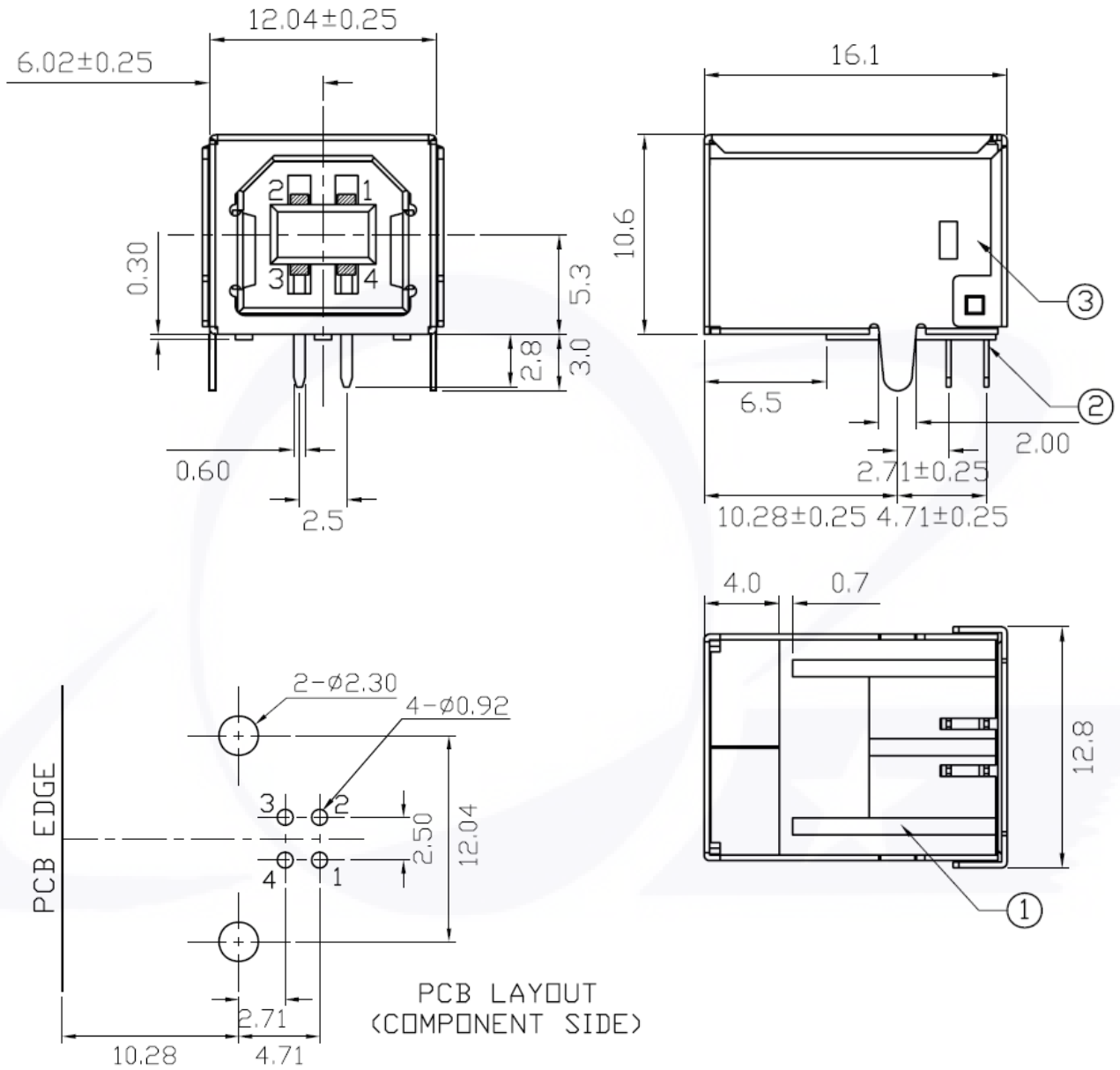
Rated Voltage and Current: 1.5A at 250V AC Min.

Dielectric Withstanding Voltage: 750V AC(rms) for 1 Minute.

Durability (Life Test): 1500 Cycles

Insertion Force: 35 Newton Max.

Extraction Force: 10 Newton Min.



Series-	Type	Style	No. Pins	Angle	Deck	Color	Plating
UP-	1- [B] B TYPE	[2] FEMALE	4	[R] 90°DIP	[1] SINGLE DECK	[0] BLACK [1] WHITE	[T1] SELECTIVE GOLD PLATED 1u" [T30] SELECTIVE GOLD PLATED 30u"