

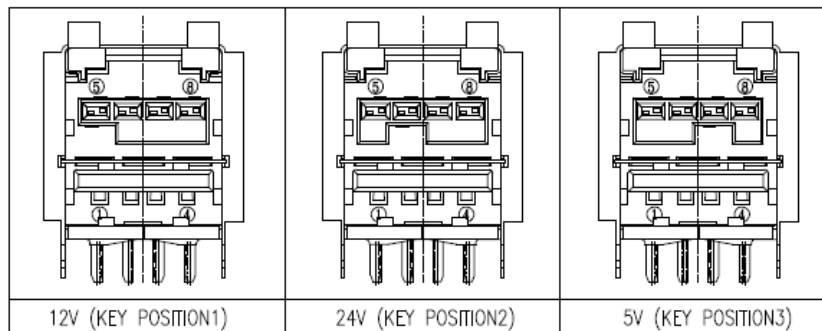
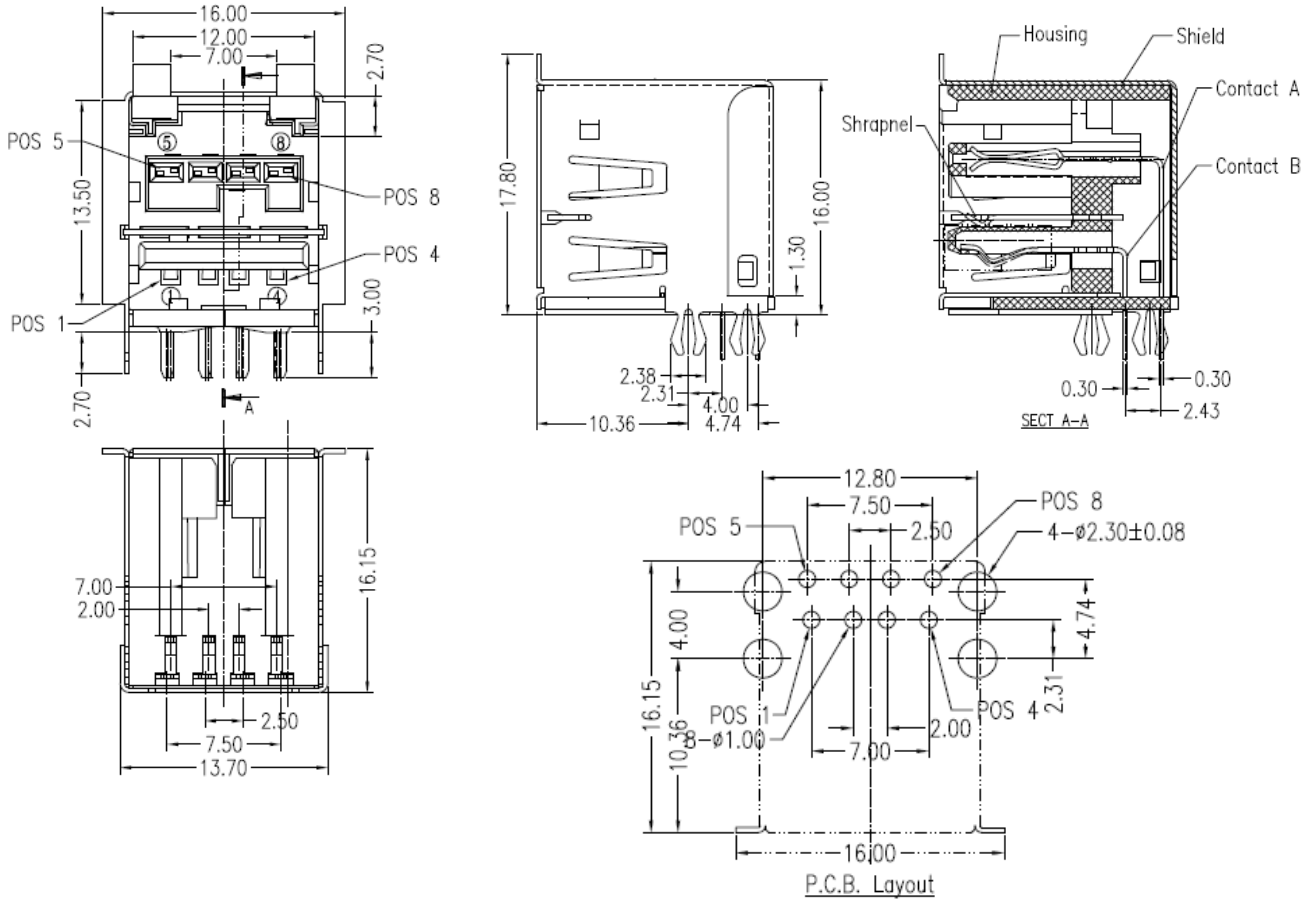
USB + POWER PLUG 8 PINS

Material

Housing: Nylon66, Glass Fiber 30%, UL 94V-0 rated.
 Contact: Phosphor Bronze;
 Contacts Plating:
 Gold plating over Nickel(40~80u")min. on contact area.
 Tin(100~250u")min. Plating on Solder Tail.
 Shields: Phosphor Bronze;
 Shields Plating: Tin(100~250u")min. Over Nickel(40~80u")min.
 Sharpnel: Brass;
 Sharpnel Plating: Nickel Plating.

Mechanical

Inertion Force: 35N max.
 Extraction Force: 10N min.
 Durability: 1500 cycles.
 USB Section Conforms to USB 2.0 Specification.
 Electrical Specification
 Rated Voltage and Current: 3.0A at 250V AC min.
 Contact Resistance: 30m ohms Max.
 Insulation Resistance: 1000 Mohms min at 500V DC.
 Dielectric Withstanding Voltage: 500V AC for 1 minute.
 Operating Temperature: -55°C to 85°C



Series-	NO. of PINS	Voltage	Color	Plating
USPO-	1-	8	[5] 5V [12] 12V [24] 24V	[0] BLACK [5] RED [7] GREEN
				[G30] GOLD PLATED 30u"