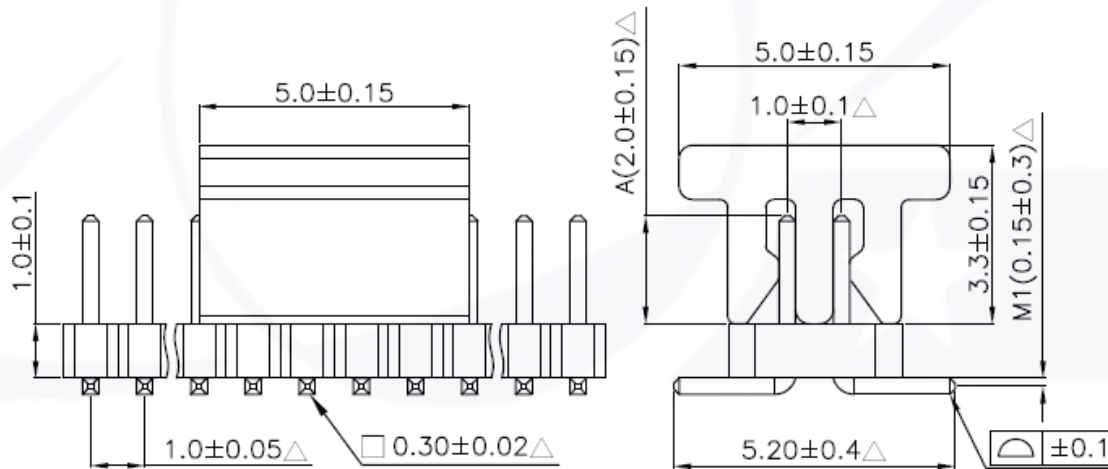
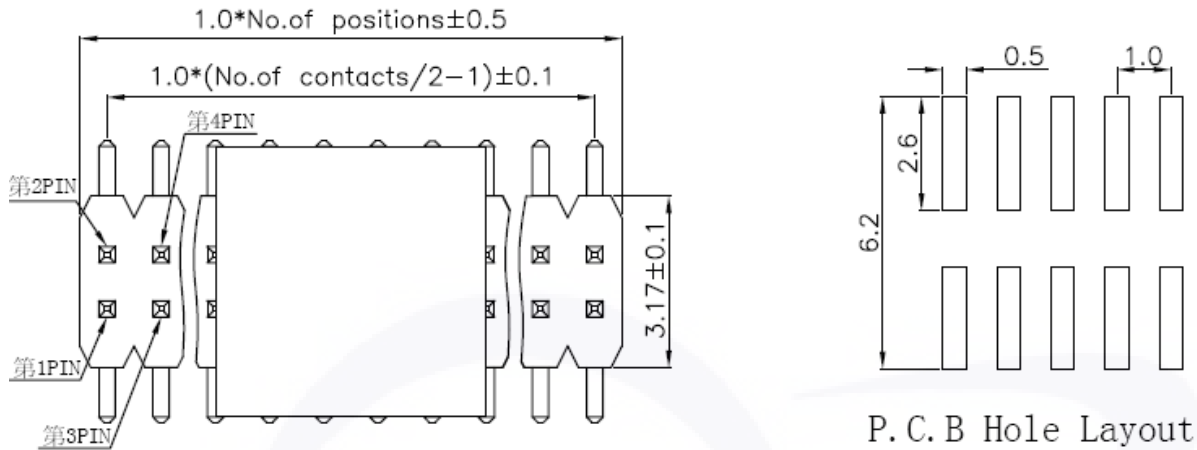


PIN HEADER, SMT, HEIGHT 1.00, PITCH 1.00, ROW SPACE 1.00, DUAL ROWS, CONTACT 2.00, LAYOUT 6.20
Material

Contact: Phosphor Bronze
 Insulator: High Temperature, Thermoplastic, UL 94V-0
 Standard: NY6T
Plating: Gold plated.

Electrical

Current Rating: 0.8 AMP
 Insulation Resistance: 900M ohms Min.
 Withstanding Voltage: 500V AC
 Operating Temperature: -40°C ~ +105°C
 Soldering Temperature: 260°C for 3~5sec Max



Series	Pitch	Row	Post	Cap	Plating	Plastic Height	Pin Length	Option	N0. Pins
P1MX-	[1] 1.00	[1] 1.00	[1] W/ [0] W/O	[1] W/ CAP	[G1] FULL GOLD PLATED 1u" [G15] FULL GOLD PLATED 15u"	100	-020 (A)		2X_

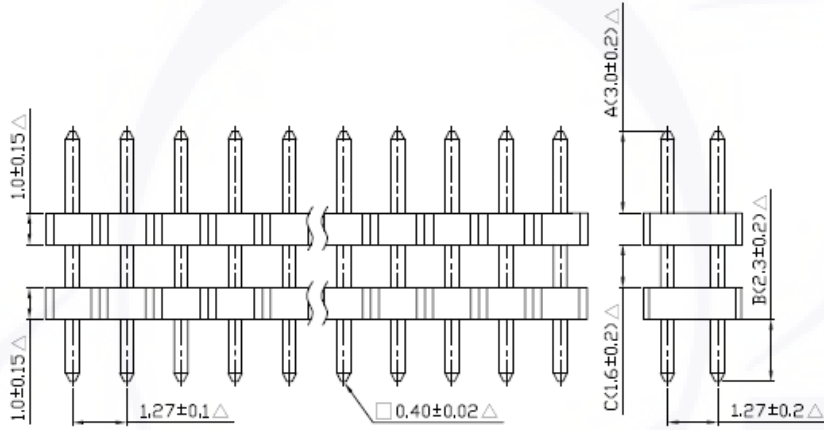
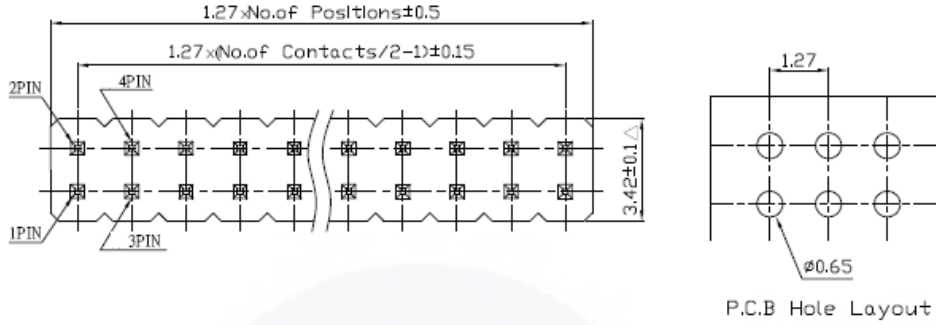
PIN HEADER, DUAL STACKS, HEIGHT 1.00, PITCH 1.27, ROW SPACE 1.27, DUAL ROWS, STRAIGHT, DIP, CONTACT 3.00, TAIL 2.30

Material and Finish

Contact Material: Copper Alloy
 Insulator Material: Polyester, UL94V-0
 Standard: Nylon-6T
 Finish: Gold plated
 Standard: Gold Flash all over

Electrical

Current Rating: 1AMP
 Insulation Resistance: 1000M Megohms Min.
 Dielectric Withstanding Voltage: 500V AC
 Operating Temperature: -40°C ~ +105°C



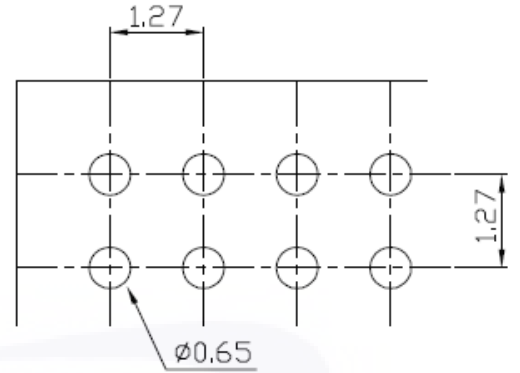
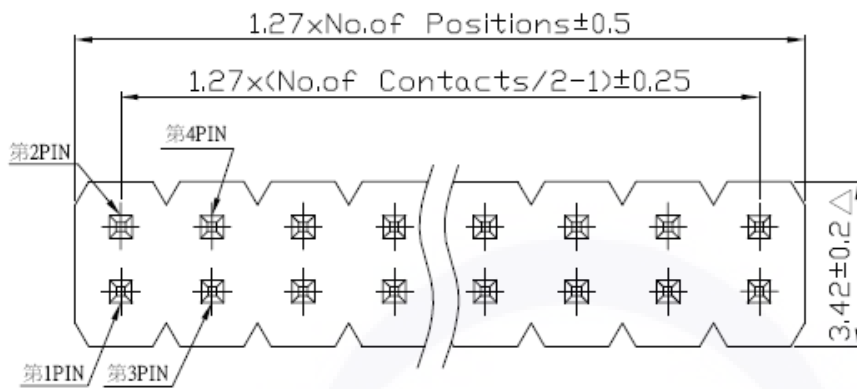
Series	Pitch	Row	Post	Cap	Plating	Plastic Height	Pin Length	Option	N0. Pins
P2S-	[2] 1.27	[2] 1.27	[0] W/O	[0] W/O CAP	[G1] FULL GOLD PLATED 1u" [G15] FULL GOLD PLATED 15u"	100	-030/016/023 (A/C/B)		2X_

PIN HEADER, HEIGHT 1.50, PITCH 1.27, ROW SPACE 1.27, DUAL ROWS, STRAIGHT, DIP, CONTACT 3.00, TAIL 2.30
Material

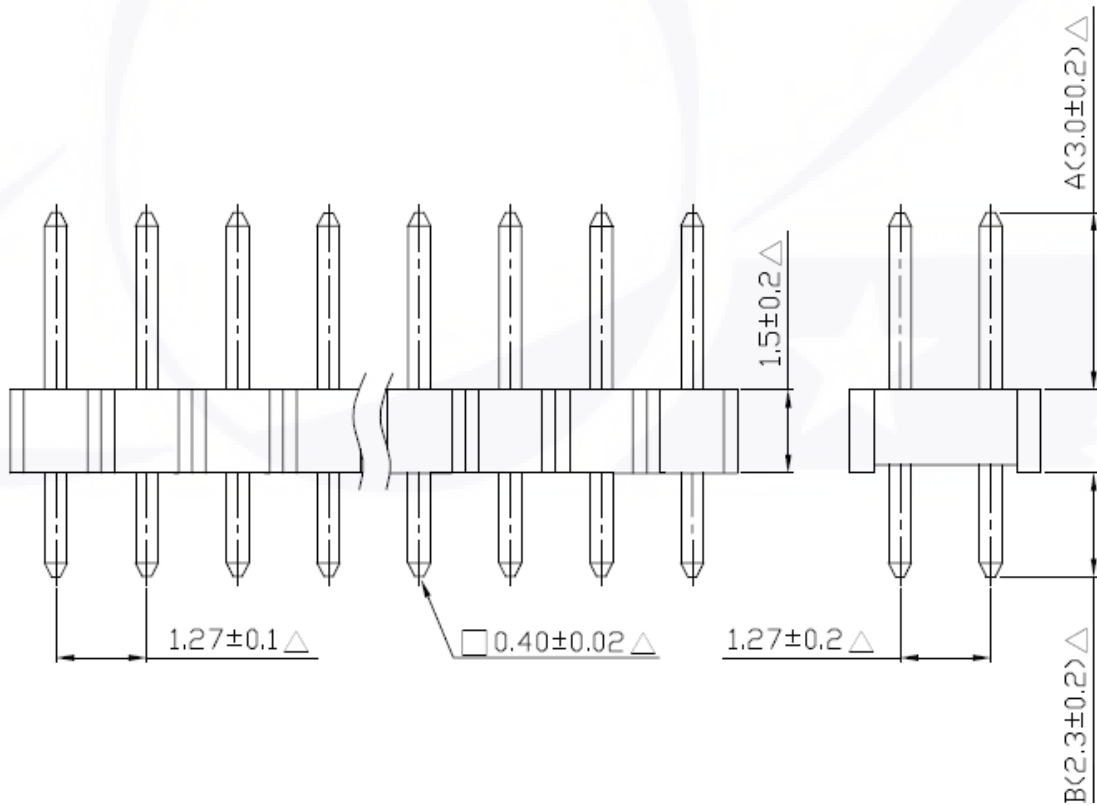
Contact: Copper Alloy
 Insulator: Polyester, UL 94V-0
 Standard: NY6T
Plating: Gold Flash all over

Electrical

Current Rating: 1AMP
 Insulation Resistance: 1000M ohms Min.
 Withstanding Voltage: 500V AC
 Operating Temperature: -40°C ~ +105°C



P.C.B Hole Layout



Series	Pitch	Row	Post	Cap	Plating	Plastic Height	Pin Length	Option	N0. Pins
P1S-	[2] 1.27	[2] 1.27	[0] W/O	[0] W/O	[G1] FULL GOLD PLATED 1u" [G15] FULL GOLD PLATED 15u"	150	-030023 (A / B)		2x_

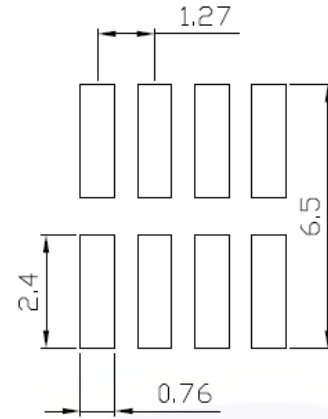
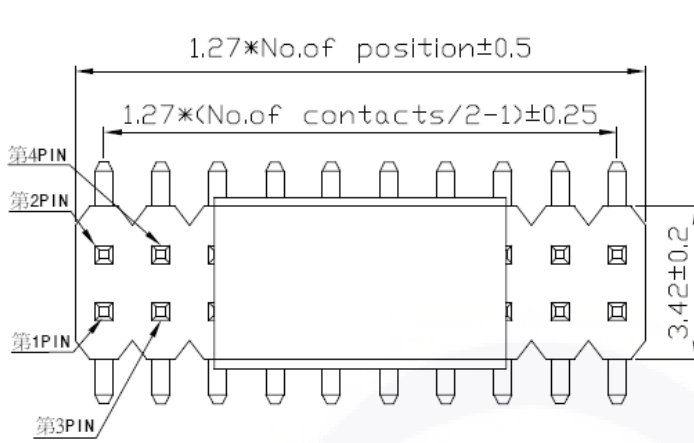
PIN HEADER, SMT, HEIGHT 1.00, PITCH 1.27, ROW SPACE 1.27, DUAL ROWS, CONTACT 4.00, LAYOUT 6.50
Material

Contact: Copper Alloy, 0.40mm square post
 Insulator: Thermoplastic, UL 94V-0

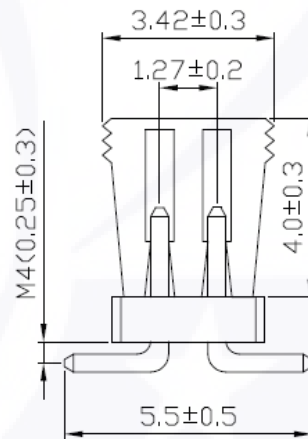
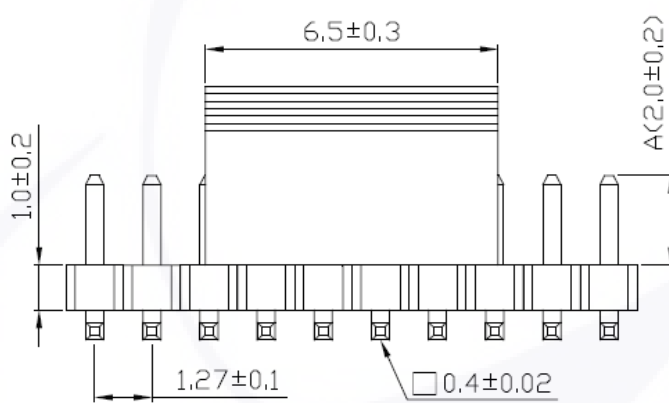
Plating: Gold plated.

Electrical

Current Rating: 1AMP
 Insulation Resistance: 1000M ohms Min.
 Withstanding Voltage: 500V AC
 Contact Resistance: 20M ohms Max.
 Operating Temperature: -40°C ~ +105°C



P. C. B HOLE LAYOUT



Series	Pitch	Row	Post	Cap	Plating	Plastic Height	Pin Length	Option	No. Pins
P1MX-	[2] 1.27	[2] 1.27	[1] W/ [0] W/O	[1] W/ CAP	[G1] FULL GOLD PLATED 1u" [G15] FULL GOLD PLATED 15u"	100	-020 (A)		2x_

PIN HEADER HEIGHT 2.00 PITCH 2.00 ROW SPACE 2.00 DUAL ROWS RIGHT ANGLE DIP CONTACT 4.00 TAIL 2.80

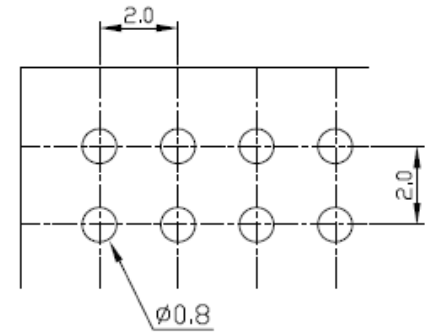
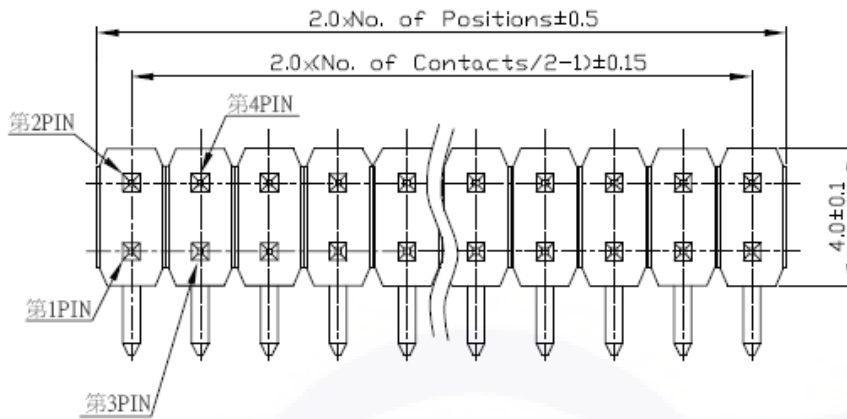
Material

Contact: Copper Alloy
 Insulator: Polyester, UL 94V-0

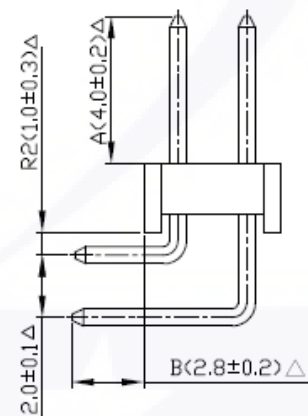
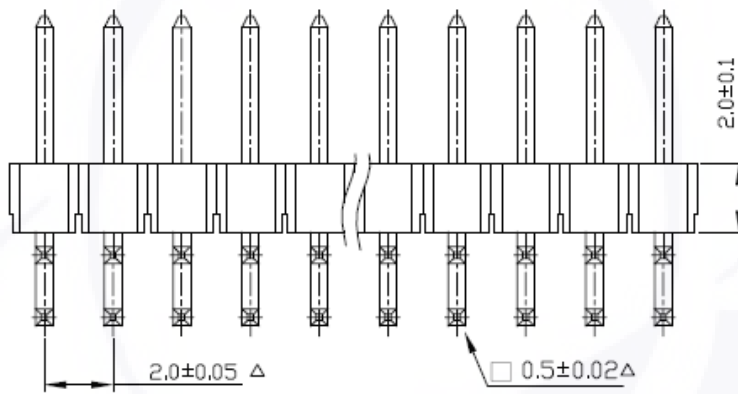
Electrical

Current Rating: 2AMP
 Insulation Resistance: 3000M ohms Min.
 Withstanding Voltage: 500V AC
 Operating Temperature: -40°C ~ +105°C

Plating: Gold Flash all over



P.C.B Hole Layout



Series	Pitch	Row	Post	Cap	Plating	Plastic Height	Pin Length	Option	N0. Pins
P1R-	[3] 2.00	[3] 2.00			[G1] FULL GOLD PLATED 1u" [G15] FULL GOLD PLATED 15u"	200	-040028 (A / B)		2x_

PIN HEADER, DUAL STACKS, HEIGHT 2.54, PITCH 2.54, ROW SPACE 2.54, DUAL ROWS, STRAIGHT, DIP, CONTACT 6.00, TAIL 3.00
Material and Finish

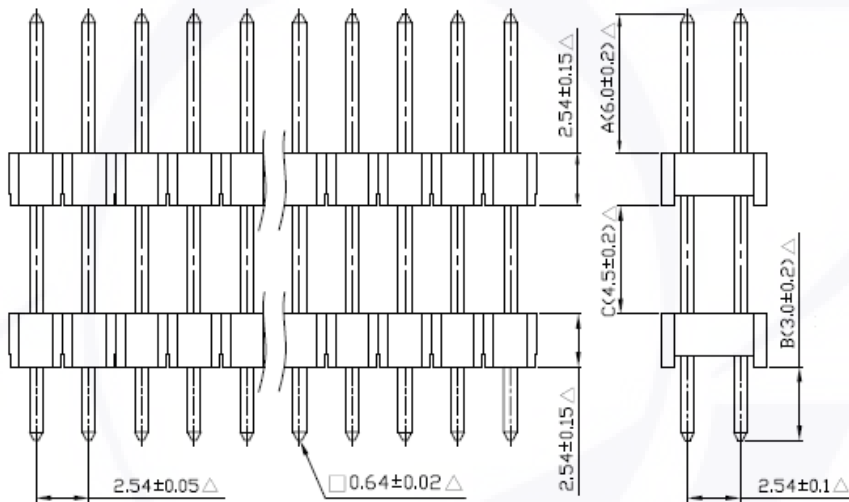
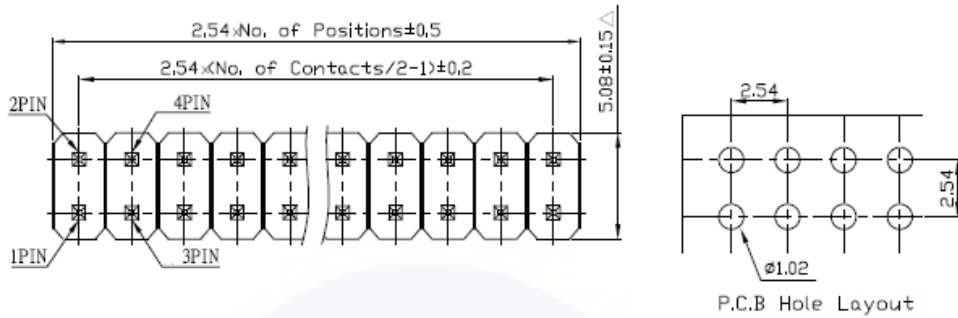
Contact Material: Copper Alloy
 Insulator Material: Polyester, UL94V-0
 Finish: Tin, Gold or Duplex plated
 Standard: Gold Flash all over

Note:

Duplex plating: Gold plated on contact area,
 Tin on solder area

Electrical

Current Rating: 3AMP
 Insulation Resistance: 5000M ohms Min.
 Dielectric Withstanding Voltage: 1000V AC
 Operating Temperature: -40°C ~ +105°C



Series	Pitch	Row	Post	Cap	Plating	Plastic Height	Pin Length	Option	N0. Pins
P2S-	[4] 2.54	[4] 2.54	[0] W/O	[0] W/O	[G1] FULL GOLD PLATED 1u" [G15] FULL GOLD PLATED 15u"	254	-060/045/030 (A/C/B)		2x_

PIN HEADER, HEIGHT 2.54, PITCH 2.54, ROW SPACE 2.54, DUAL ROWS, STRAIGHT, DIP, CONTACT 6.00, TAIL 3.00

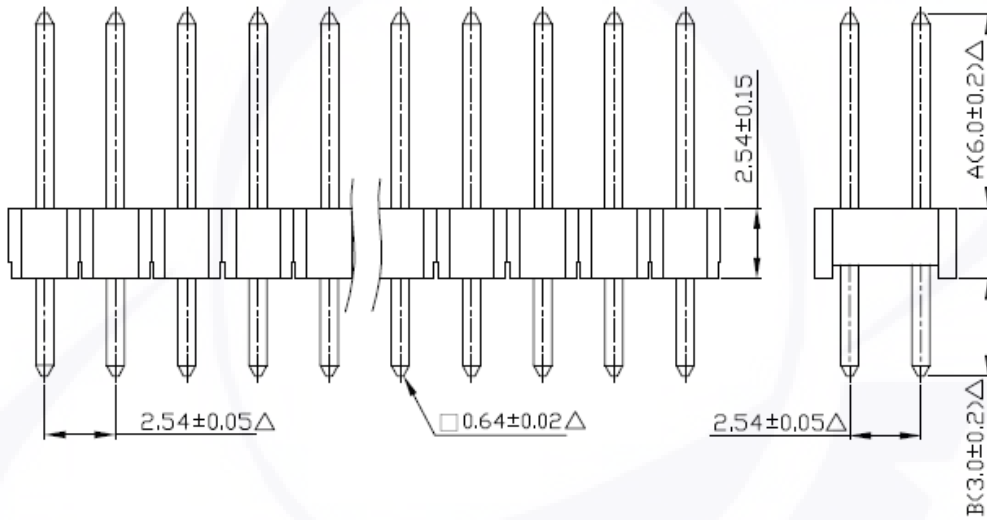
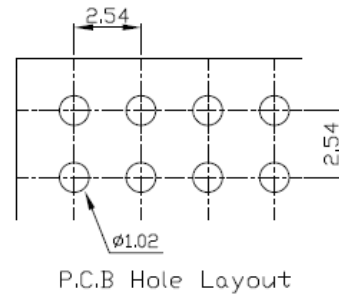
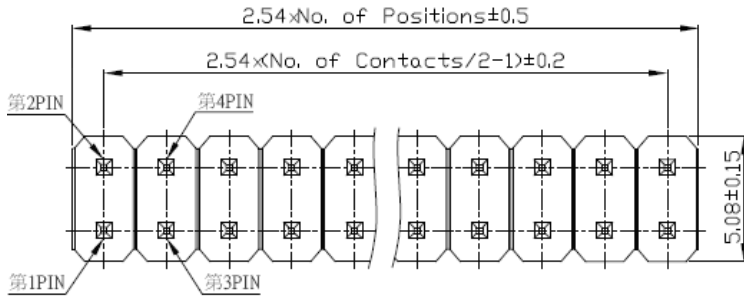
Material

Contact: Copper Alloy
 Insulator: Polyester, UL 94V-0

Plating: Gold Flash all over

Electrical

Current Rating: 3AMP
 Insulation Resistance: 5000M ohms Min.
 Withstanding Voltage: 1000V AC
 Operating Temperature: -40°C ~ +105°C



Series	Pitch	Row	Post	Cap	Plating	Plastic Height	Pin Length	Option	N0. Pins
P1S-	[4] 2.54	[4] 2.54	[0] W/O	[0] W/O	[G1] FULL GOLD PLATED 1u" [G15] FULL GOLD PLATED 15u"	254	-060030 (A / B)		2X_