

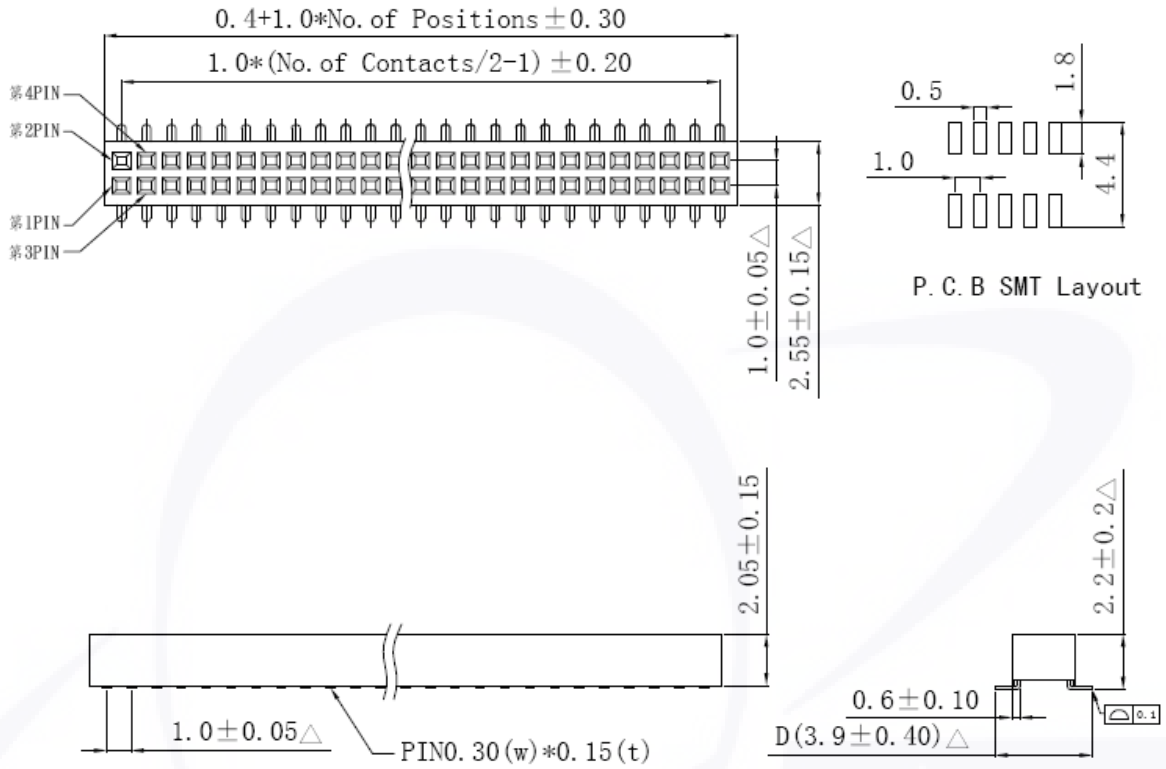
FEMALE HEADER, SMT, HEIGHT 2.05, PITCH 1.00, ROW SPACE 1.00, DUAL ROWS, LAYOUT 4.40

Material and Finish

Housing: NY6T
 Contact: Phosphor Bronze
 Insulator: Thermoplastic UL94V-0
 Plating: Gold

Electrical

Current Rating: 0.8 AMP
 Insulation Resistance: 900M ohms Min.
 Withstanding Voltage: 500V AC
 Contact Resistance: 20M ohms Max.
 Operating Temperature: -40°C ~ +105°C
 Soldering Temperature: 260°C for 3-5sec Max.



Series		Pitch	Row	Post	Plating	Plastic Height	Layout	Option	No. Pins
FM- (SMT)	1-	[1] 1.00	[1] 1.00	[0] W/O	[G1] FULL GOLD PLATED 1u" [G15] FULL GOLD PLATED 15u"	205	440		2x_

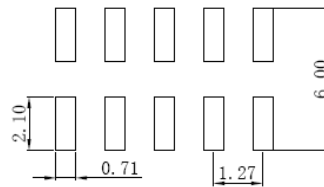
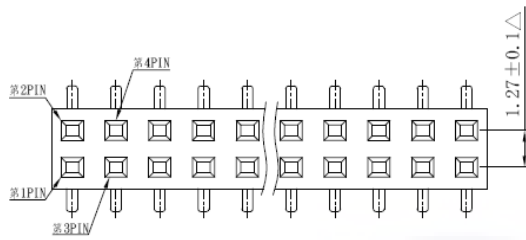
FEMALE HEADER SMT HEIGHT 3.40 PITCH 1.27 ROW SPACE 1.27 DUAL ROWS LAYOUT 6.00

Material and Finish

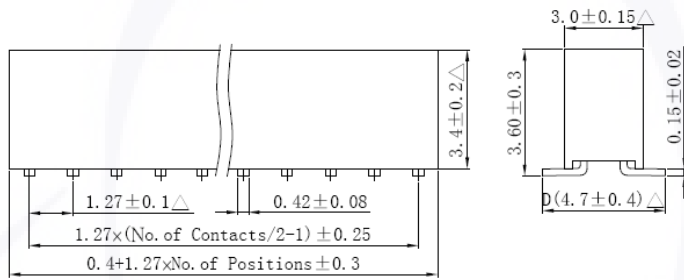
Housing: NY9T
 Contact: Phosphor Bronze
 Insulator: Thermoplastic UL94V-0
 Plating: Gold

Electrical

Current Rating: 1 AMP
 Insulation Resistance: 1000M ohms Min.
 Withstanding Voltage: 500V AC rms for 60 seconds
 Contact Resistance: 20M ohms Max.
 Operating Temperature: -40°C ~ +105°C



P. C. Board Hole Layout



Series	Pitch	Row	Post	Plating	Plastic Height	layout	Option	NO. Pins
FM-(SMT)	1- [2] 1.27	[2] 1.27	[0] W/O	[G1] FULL GOLD PLATED 1u" [G15] FULL GOLD PLATED 15u"	340	600		2x_

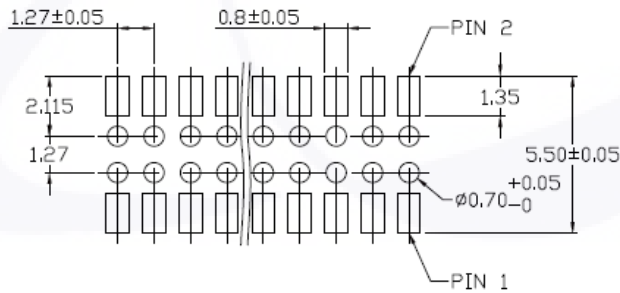
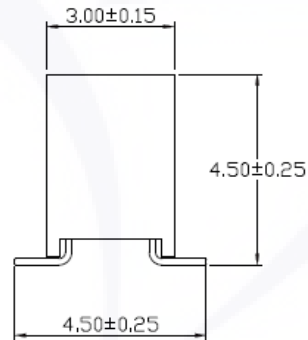
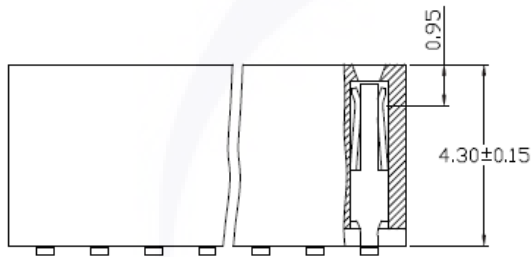
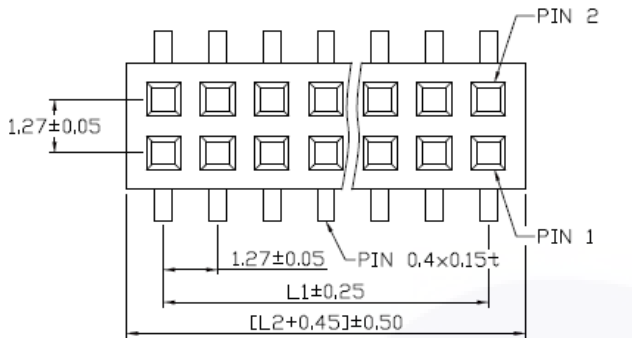
FEMALE HEADER SMT HEIGHT 4.30 PITCH 1.27 ROW SPACE 1.27 DUAL ROWS LAYOUT 5.50

Material and Finish

Housing: High Temperature Thermoplastic + Glass Fibre UL94V-0
 Color: Black
 Contact: Phosphor Bronze
 Plating: Gold, Tin or Duplex plated
 Standard: Gold flash
 Duplex plated: Gold plated on contact area
 Tin on solder area

Electrical

Current Rating: 1 AMP
 Insulation Resistance: 1000M ohms Min.
 Contact Resistance: 20M ohms Max.
 Dielectric Withstanding: AC 500V/minute.
 Operating Temperature: -40°C ~ +105°C



RECOMMENDED P.C.B. SMT LAYOUT

Cir-cuits	Dimension mm	
	L1	L2
2x2	1,27	2,54
2x3	2,54	3,81
2x4	3,81	5,08
2x5	5,08	6,35
2x6	6,35	7,62
2x7	7,62	8,89
2x8	8,89	10,16
2x9	10,16	11,43
2x10	11,43	12,70
2x11	12,70	13,97
2x12	13,97	15,24
2x13	15,24	16,51
2x14	16,51	17,78
2x15	17,78	19,05
2x16	19,05	20,32
2x17	20,32	21,59
2x18	21,59	22,86
2x19	22,86	24,13
2x20	24,13	25,40
2x21	25,40	26,67
2x22	26,67	27,94
2x23	27,94	29,21
2x24	29,21	30,48
2x25	30,48	31,75
2x26	31,75	33,02
2x27	33,02	34,29
2x28	34,29	35,56
2x29	35,56	36,83
2x30	36,83	38,10
2x31	38,10	39,37
2x32	39,37	40,64
2x33	40,64	41,91
2x34	41,91	43,18
2x35	43,18	44,45
2x36	44,45	45,72
2x37	45,72	46,99
2x38	46,99	48,26
2x39	48,26	49,53
2x40	49,53	50,80
2x41	50,80	52,07
2x42	52,07	53,34
2x43	53,34	54,61
2x44	54,61	55,88
2x45	55,88	57,15
2x46	57,15	58,42
2x47	58,42	59,69
2x48	59,69	60,96
2x49	60,96	62,23
2x50	62,23	63,50

Series	Pitch	Row	Post	Plating	Plastic Height	layout	Option	NO. Pins
FM- (SMT)	1- [2] 1.27	[2] 1.27	[0] W/O [1] W/	[G1] FULL GOLD PLATED 1u" [G15] FULL GOLD PLATED 15u"	430	550		2x_

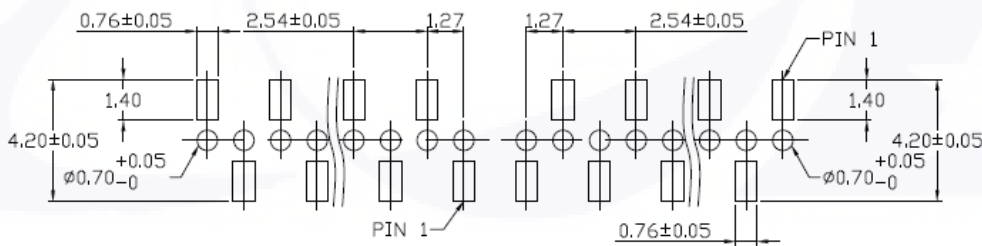
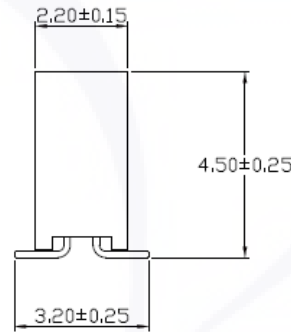
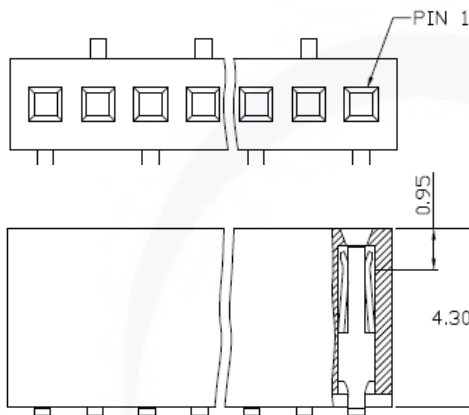
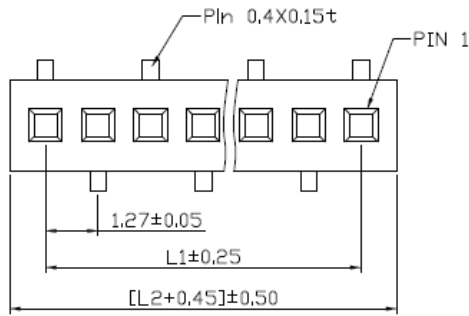
FEMALE HEADER SMT HEIGHT 4.30 PITCH 1.27 SINGLE ROW LAYOUT 4.20

Material and Finish

Housing: High Temperature Thermoplastic + Glass Fibre UL94V-0
 Color: Black
 Contact: Phosphor Bronze
 Plating: Gold, Tin or Duplex plated
 Standard: Gold flash
 Duplex plated: Gold plated on contact area
 Tin on solder area

Electrical

Current Rating: 1 AMP
 Insulation Resistance: 1000M ohms Min.
 Contact Resistance: 20M ohms Max.
 Dielectric Withstanding: AC 500V/minute.
 Operating Temperature: -40°C ~ +105°C



RECOMMENDED P.C.B. SMT LAYOUT(A Type) RECOMMENDED P.C.B. SMT LAYOUT(B Type)

Cir- cuits	Dimension mm	
	L1	L2
3	2.54	3.81
4	3.81	5.08
5	5.08	6.35
6	6.35	7.62
7	7.62	8.89
8	8.89	10.16
9	10.16	11.43
10	11.43	12.70
11	12.70	13.97
12	13.97	15.24
13	15.24	16.51
14	16.51	17.78
15	17.78	19.05
16	19.05	20.32
17	20.32	21.59
18	21.59	22.86
19	22.86	24.13
20	24.13	25.40
21	25.40	26.67
22	26.67	27.94
23	27.94	29.21
24	29.21	30.48
25	30.48	31.75
26	31.75	33.02
27	33.02	34.29
28	34.29	35.56
29	35.56	36.83
30	36.83	38.10
31	38.10	39.37
32	39.37	40.64
33	40.64	41.91
34	41.91	43.18
35	43.18	44.45
36	44.45	45.72
37	45.72	46.99
38	46.99	48.26
39	48.26	49.53
40	49.53	50.80
41	50.80	52.07
42	52.07	53.34
43	53.34	54.61
44	54.61	55.88
45	55.88	57.15
46	57.15	58.42
47	58.42	59.69
48	59.69	60.96
49	60.96	62.23
50	62.23	63.50

Series	Pitch	Post	Plating	Plastic Height	layout	Option	NO. Pins
FM- (SMT)	1- [2] 1.27	[0] W/O	[G1] FULL GOLD PLATED 1u" [G15] FULL GOLD PLATED 15u"	430	420	[A] A TYPE [B] B TYPE	1x_

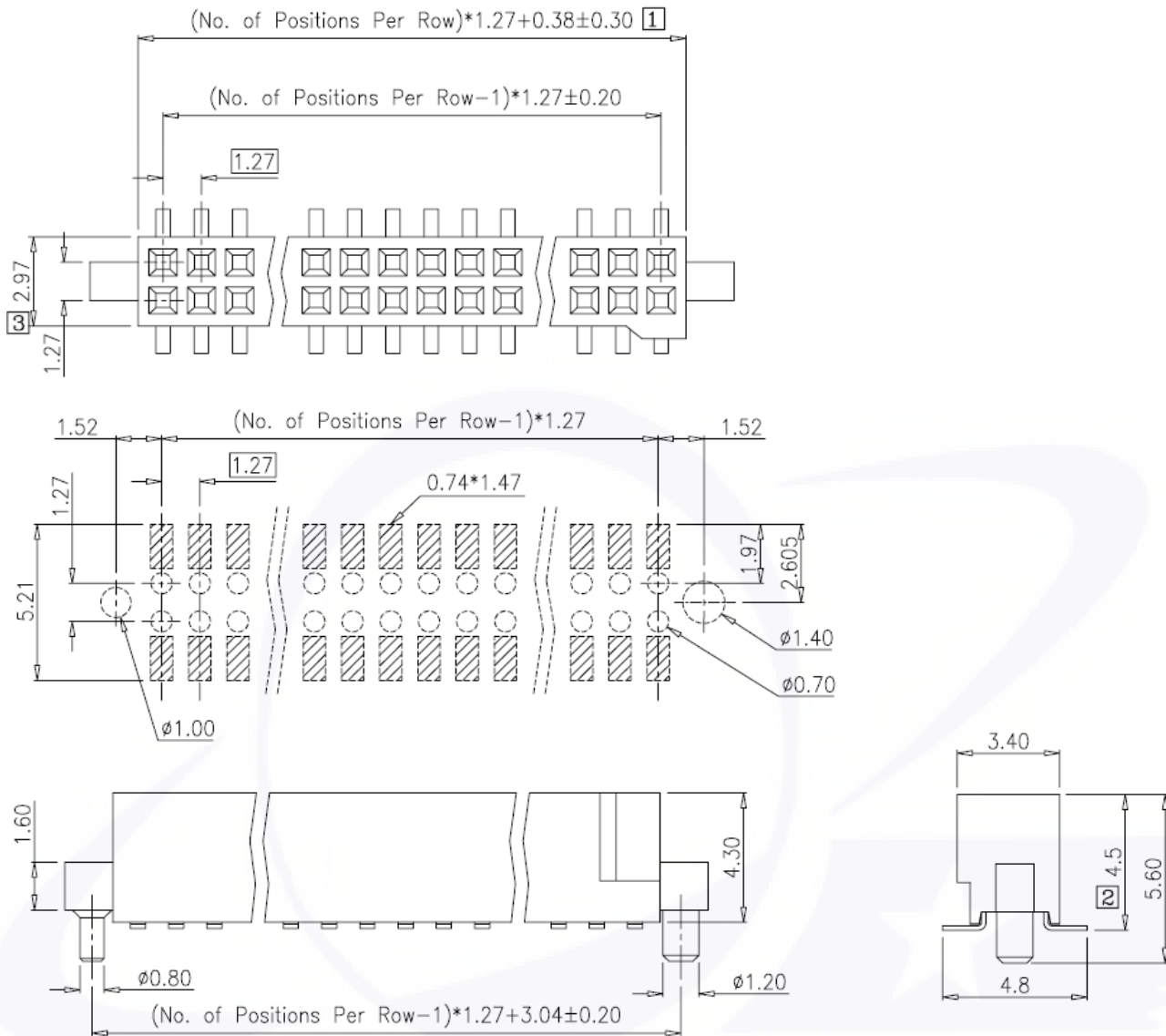
FEMALE HEADER SMT HEIGHT 4.30 PITCH 1.27 ROW SPACE 1.27 DUAL ROWS LAYOUT 5.21

Material and Finish

Housing: Hi-Temp. Plastic (UL 94V-0), Black.
Terminal: Copper Alloy (t=0.15), Gold Plating.

Electrical

Current Rating: 1.0 AMP. Max.
Insulation Resistance: 1000M ohms Min. at 500V DC.
Dielectric Withstanding Voltage: 600V AC RMS for 60 seconds
Contact Resistance: 30m Ohms Max.
Operating Temperature: -55°C ~ +105°C



Series	Pitch	Row	Post	Plating	Plastic Height	layout	Option	NO. Pins
FM- (SMT)	1- [2] 1.27	[2] 1.27	[1] W/	[G1] FULL GOLD PLATED 1u" [G15] FULL GOLD PLATED 15u"	430	521		2x_

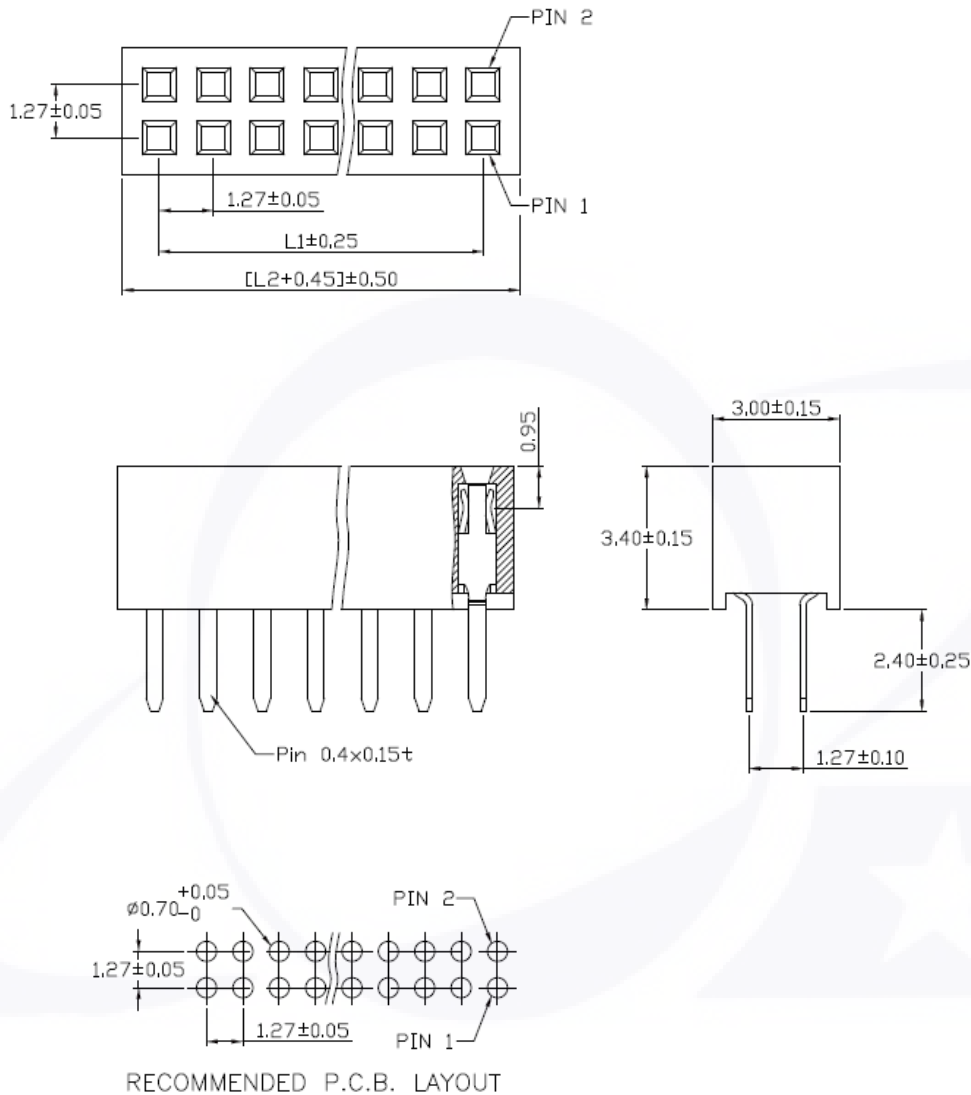
FEMALE HEADER STRAIGHT HEIGHT 3.40 PITCH 1.27 ROW SPACE 1.27 DUAL ROW (CONTACT 2.40)

Material and Finish

Housing: High Temperature Thermoplastic + Glass Fibre UL94V-0
 Color: Black
 Contact: Phosphor Bronze
 Plating: Gold, Tin or Duplex plated
 Standard: Gold flash
 Duplex plated: Gold plated on contact area
 Tin on solder area

Electrical

Current Rating: 1 AMP
 Insulation Resistance: 1000M ohms Min.
 Contact Resistance: 20M ohms Max.
 Dielectric Withstanding: AC 500V/minute.
 Operating Temperature: -40°C ~ +105°C



Cir- cuits	Dimension mm	
	L1	L2
2x3	2.54	3.81
2x4	3.81	5.08
2x5	5.08	6.35
2x6	6.35	7.62
2x7	7.62	8.89
2x8	8.89	10.16
2x9	10.16	11.43
2x10	11.43	12.70
2x11	12.70	13.97
2x12	13.97	15.24
2x13	15.24	16.51
2x14	16.51	17.78
2x15	17.78	19.05
2x16	19.05	20.32
2x17	20.32	21.59
2x18	21.59	22.86
2x19	22.86	24.13
2x20	24.13	25.40
2x21	25.40	26.67
2x22	26.67	27.94
2x23	27.94	29.21
2x24	29.21	30.48
2x25	30.48	31.75
2x26	31.75	33.02
2x27	33.02	34.29
2x28	34.29	35.56
2x29	35.56	36.83
2x30	36.83	38.10
2x31	38.10	39.37
2x32	39.37	40.64
2x33	40.64	41.91
2x34	41.91	43.18
2x35	43.18	44.45
2x36	44.45	45.72
2x37	45.72	46.99
2x38	46.99	48.26
2x39	48.26	49.53
2x40	49.53	50.80
2x41	50.80	52.07
2x42	52.07	53.34
2x43	53.34	54.61
2x44	54.61	55.88
2x45	55.88	57.15
2x46	57.15	58.42
2x47	58.42	59.69
2x48	59.69	60.96
2x49	60.96	62.23
2x50	62.23	63.50

Series	Pitch	Row	Post	Plating	Plastic Height	Contact	Option	NO. Pins
FS- (STRAIGHT)	1-	[2] 1.27	[2] 1.27	[0] W/O	[G1] FULL GOLD PLATED 1u" [G15] FULL GOLD PLATED 15u"	340	240	2x_

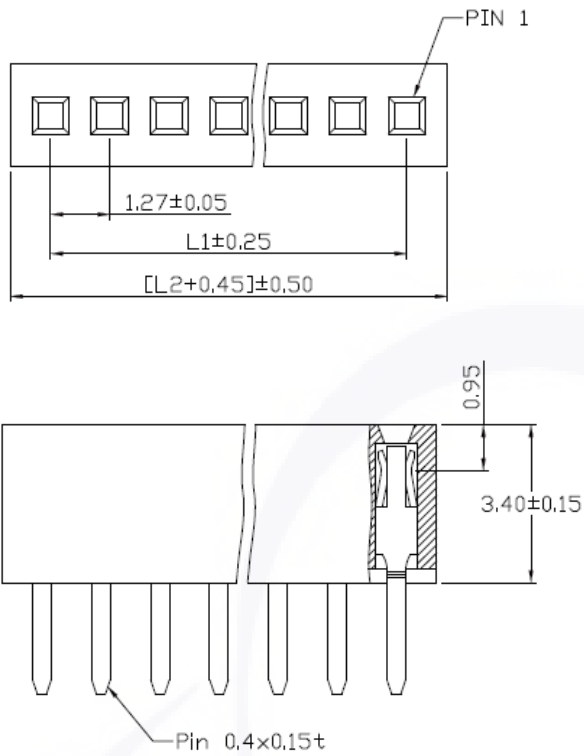
FEMALE HEADER STRAIGHT HEIGHT 3.40 PITCH 1.27 SINGLE ROW (CONTACT 2.40)

Material and Finish

Housing: High Temperature Thermoplastic + Glass Fibre UL94V-0
 Color: Black
 Contact: Phosphor Bronze
 Plating: Gold, Tin or Duplex plated
 Standard: Gold flash
 Duplex plated: Gold plated on contact area
 Tin on solder area

Electrical

Current Rating: 1 AMP
 Insulation Resistance: 1000M ohms Min.
 Contact Resistance: 20M ohms Max.
 Dielectric Withstanding: AC 500V/minute.
 Operating Temperature: -40°C ~ +105°C



RECOMMENDED P.C.B. LAYOUT

Circuits	Dimension mm	
	L1	L2
3	2.54	3.81
4	3.81	5.08
5	5.08	6.35
6	6.35	7.62
7	7.62	8.89
8	8.89	10.16
9	10.16	11.43
10	11.43	12.70
11	12.70	13.97
12	13.97	15.24
13	15.24	16.51
14	16.51	17.78
15	17.78	19.05
16	19.05	20.32
17	20.32	21.59
18	21.59	22.86
19	22.86	24.13
20	24.13	25.40
21	25.40	26.67
22	26.67	27.94
23	27.94	29.21
24	29.21	30.48
25	30.48	31.75
26	31.75	33.02
27	33.02	34.29
28	34.29	35.56
29	35.56	36.83
30	36.83	38.10
31	38.10	39.37
32	39.37	40.64
33	40.64	41.91
34	41.91	43.18
35	43.18	44.45
36	44.45	45.72
37	45.72	46.99
38	46.99	48.26
39	48.26	49.53
40	49.53	50.80
41	50.80	52.07
42	52.07	53.34
43	53.34	54.61
44	54.61	55.88
45	55.88	57.15
46	57.15	58.42
47	58.42	59.69
48	59.69	60.96
49	60.96	62.23
50	62.23	63.50

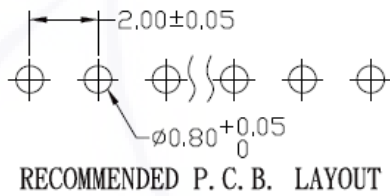
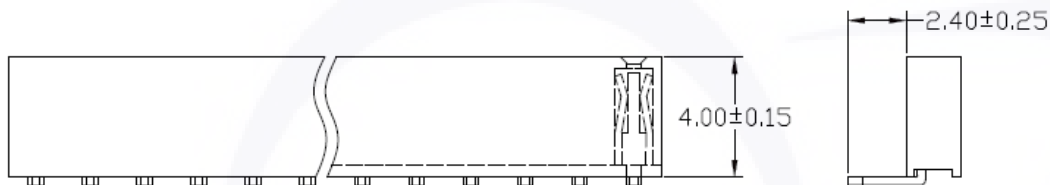
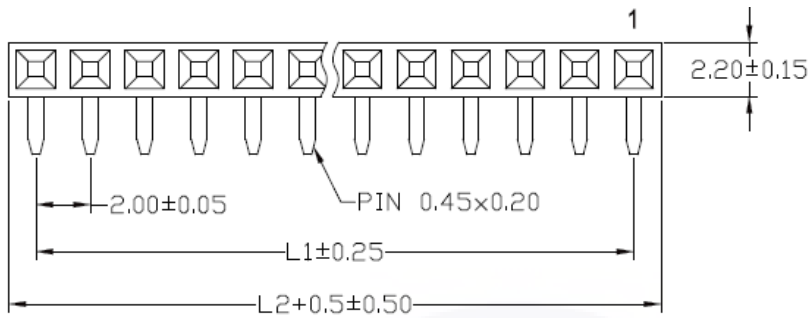
Series	Pitch	Post	Plating	Plastic Height	Contact	Option	NO. Pins
FS- (STRAIGHT)	1- [2] 1.27	[0] W/O	[G1] FULL GOLD PLATED 1u* [G15] FULL GOLD PLATED 15u*	340	240		1x

FEMALE HEADER RIGHT ANGLE HEIGHT 4.00 PITCH 2.00 SINGLE ROW (CONTACT 2.40)
Material and Finish

Insulator Material: High Temperature Thermoplastic + Glass Fibre UL94V-0
 Color: Black
 Contact: Phosphor Bronze
 Plating: Gold, Tin or Duplex plated
 Standard: Gold flash all over
 Duplex plated: Gold plated on contact area
 Tin on solder area

Electrical

Current Rating: 2 AMP
 Insulation Resistance: 1000M ohms Min.
 Contact Resistance: 20m ohms Max.
 Dielectric Withstanding: AC 500V/minute.
 Operating Temperature: -40°C ~ +105°C



Cir- cuits	Dimension mm	
	L1	L2
2	2.00	4.00
3	4.00	6.00
4	6.00	8.00
5	8.00	10.00
6	10.00	12.00
7	12.00	14.00
8	14.00	16.00
9	16.00	18.00
10	18.00	20.00
11	20.00	22.00
12	22.00	24.00
13	24.00	26.00
14	26.00	28.00
15	28.00	30.00
16	30.00	32.00
17	32.00	34.00
18	34.00	36.00
19	36.00	38.00
20	38.00	40.00
21	40.00	42.00
22	42.00	44.00
23	44.00	46.00
24	46.00	48.00
25	48.00	50.00

Series	Pitch	Post	Plating	Plastic Height	Contact	Option	NO. Pins Per Row
FR- (RIGHT ANGLE)	1- [3] 2.00	[0] W/O	[G1] FULL GOLD PLATED 1u" [G15] FULL GOLD PLATED 15u"	400	240		1x_

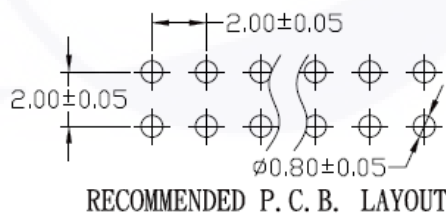
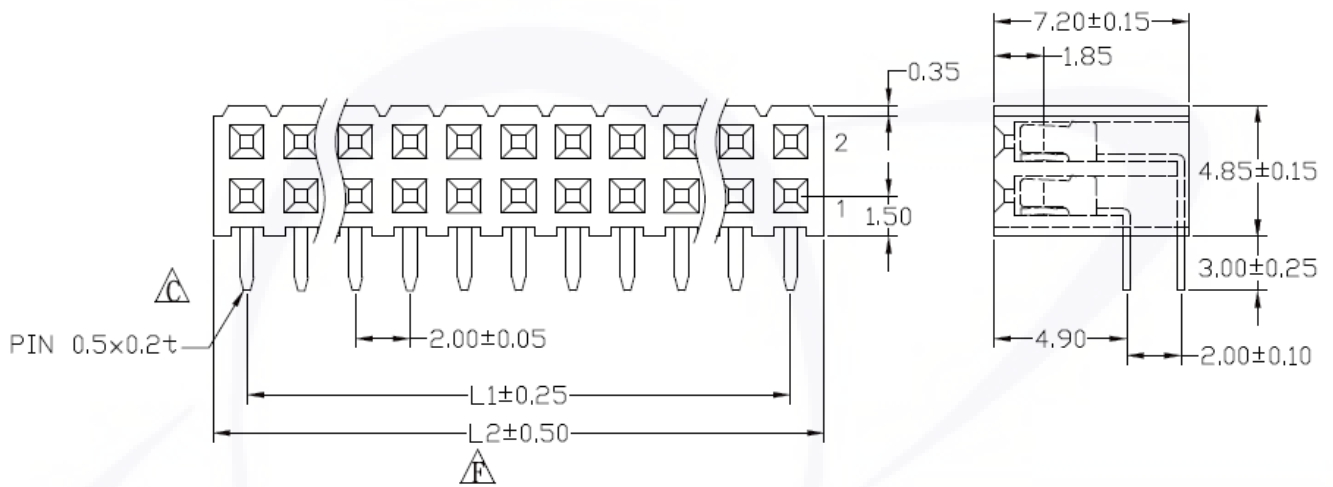
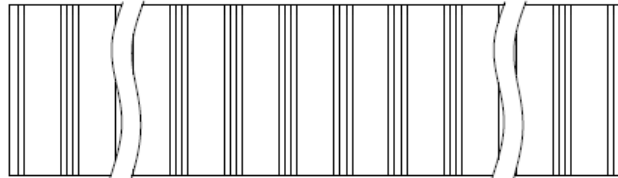
FEMALE HEADER RIGHT ANGLE HEIGHT 4.85 PITCH 2.00 ROW SPACE 2.00 DUAL ROW (CONTACT 3.00)

Material and Finish

Insulator Material: High Temperature Thermoplastic + Glass Fibre UL94V-0
 Color: Black
 Contact: Phosphor Bronze
 Plating: Gold, Tin or Duplex plated
 Standard: Gold flash all over
 Duplex plated: Gold plated on contact area
 Tin on solder area

Electrical

Current Rating: 2 AMP
 Insulation Resistance: 1000M ohms Min.
 Dielectric Withstanding: AC 500V/minute.
 Operating Temperature: -40°C ~ +105°C



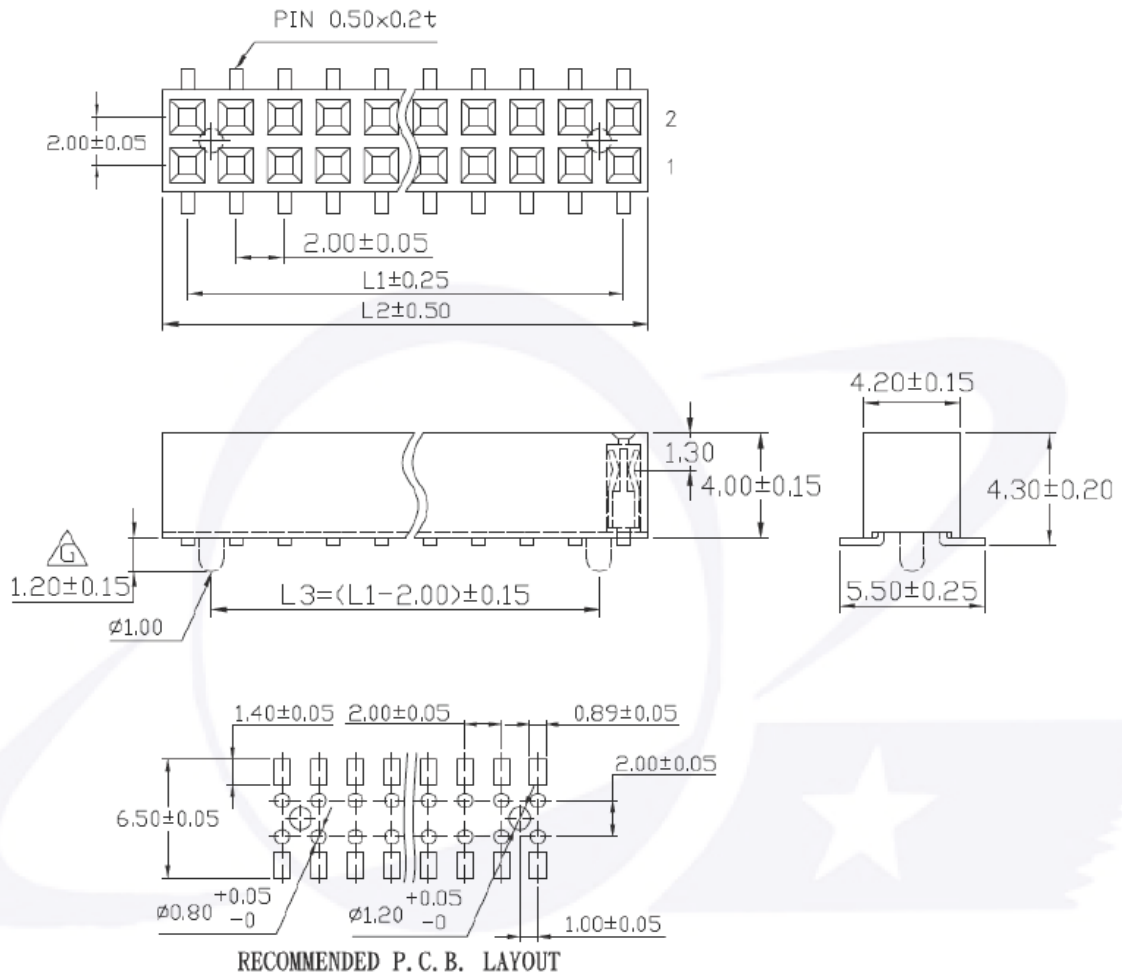
Series	Pitch	Row	Post	Plating	Plastic Height	Contact	Option	NO. Pins
FR- (RIGHT ANGLE)	1- [3] 2.00	[3] 2.00	[0] W/O	[G1] FULL GOLD PLATED 1u" [G15] FULL GOLD PLATED 15u"	485	300		2x_

FEMALE HEADER SMT HEIGHT 4.00 PITCH 2.00 ROW SPACE 2.00 DUAL ROWS (LAYOUT 6.50)
Material and Finish

Insulator Material: High Temperature Thermoplastic + Glass Fibre UL94V-0
 Color: Black
 Contact: Phosphor Bronze
 Plating: Gold, Tin or Duplex plated
 Standard: Gold flash all over
 Duplex plated: Gold plated on contact area
 Tin on solder area

Electrical

Current Rating: 2 AMP
 Insulation Resistance: 1000M ohms Min.
 Dielectric Withstanding: AC 500V/minute.
 Operating Temperature: -40°C ~ +105°C



Series	Pitch	Row	Post	Plating	Plastic Height	Layout	Option	NO. Pins
FM- (SMT)	1- [3] 2.00	[3] 2.00	[1] W/	[G1] FULL GOLD PLATED 1u" [G15] FULL GOLD PLATED 15u"	400	650		2x_

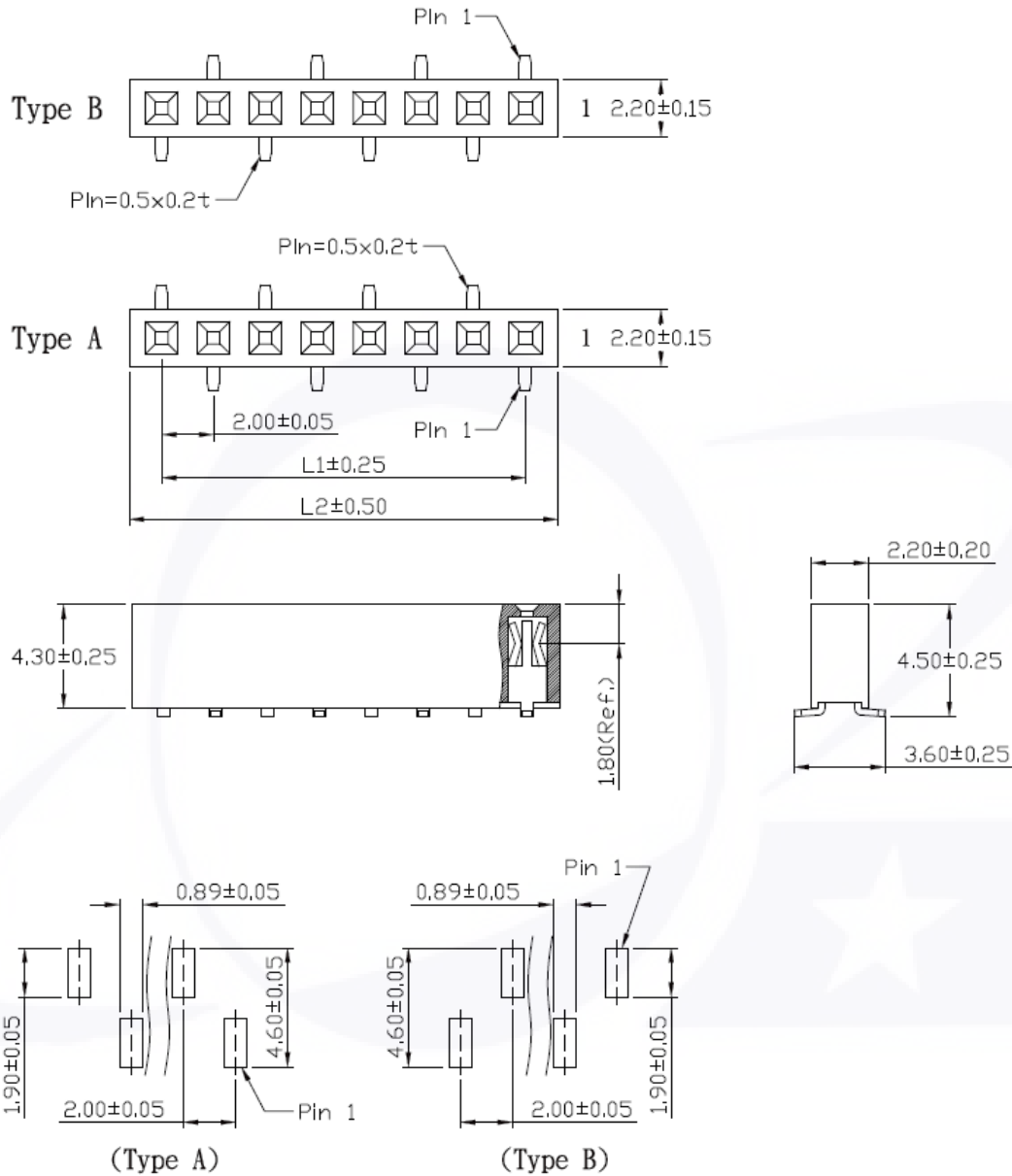
FEMALE HEADER SMT HEIGHT 4.30 PITCH 2.00 SINGLE ROW (LAYOUT 4.60)

Material and Finish

Insulator Material: High Temperature Thermoplastic + Glass Fibre UL94V-0
 Color: Black
 Contact: Phosphor Bronze
 Plating: Gold, Tin or Duplex plated
 Standard: Gold flash all over
 Duplex plated: Gold plated on contact area
 Tin on solder area

Electrical

Current Rating: 2 AMP
 Voltage Rating: 125V
 Insulation Resistance: 3000M ohms Min.
 Contact Resistance: 20m ohms Max.
 Dielectric Withstanding: AC 500V/minute.
 Operating Temperature: -40°C ~ +105°C



RECOMMENDED P. C. B. LAYOUT

Series	Pitch	Post	Plating	Plastic Height	Layout	Option	NO. Pins
FM- (SMT)	1- [3] 2.00	[0] W/O	[G1] FULL GOLD PLATED 1u" [G15] FULL GOLD PLATED 15u"	430	460	[A] A TYPE [B] B TYPE	1x_

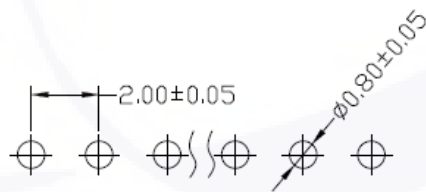
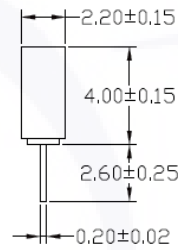
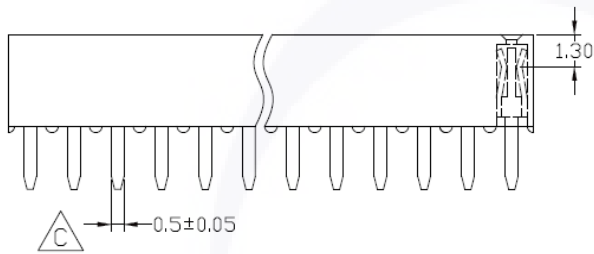
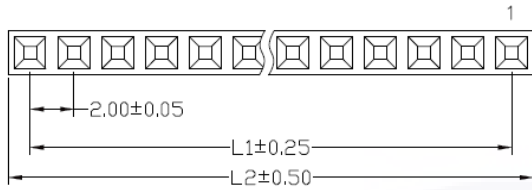
FEMALE HEADER STRAIGHT HEIGHT 4.00 PITCH 2.00 SINGLE ROW (CONTACT 2.60)

Material and Finish

Insulator Material: High Temperature Thermoplastic + Glass Fibre UL94V-0
 Color: Black
 Contact: Phosphor Bronze
 Plating: Gold, Tin or Duplex plated
 Standard: Gold flash all over
 Duplex plated: Gold plated on contact area
 Tin on solder area

Electrical

Current Rating: 2 AMP
 Insulation Resistance: 1000M ohms Min.
 Contact Resistance: 20m ohms Max.
 Dielectric Withstanding: AC 500V/minute.
 Operating Temperature: -40°C ~ +105°C



RECOMMENDED P. C. B. LAYOUT

Cir-cuits	Dimension mm	
	L1	L2
2	2.00	4.02
3	4.00	6.02
4	6.00	8.02
5	8.00	10.02
6	10.00	12.04
7	12.00	14.04
8	14.00	16.04
9	16.00	18.06
10	18.00	20.06
11	20.00	22.06
12	22.00	24.06
13	24.00	26.08
14	26.00	28.08
15	28.00	30.08
16	30.00	32.10
17	32.00	34.10
18	34.00	36.10
19	36.00	38.12
20	38.00	40.12
21	40.00	42.82
22	42.00	44.84
23	44.00	46.84
24	46.00	48.84
25	48.00	50.88
26	50.00	52.88
27	52.00	54.88
28	54.00	56.91
29	56.00	58.91
30	58.00	60.91
31	60.00	62.91
32	62.00	64.91
33	64.00	66.91
34	66.00	68.91
35	68.00	70.91
36	70.00	72.91
37	72.00	75.60
38	74.00	77.60
39	76.00	79.60
40	78.00	81.60

Series	Pitch	Post	Plating	Plastic Height	Layout	Option	NO. Pins
FS- (STRAIGHT)	1- [3] 2.00	[0] W/O	[G1] FULL GOLD PLATED 1u" [G15] FULL GOLD PLATED 15u"	400	260		1x_

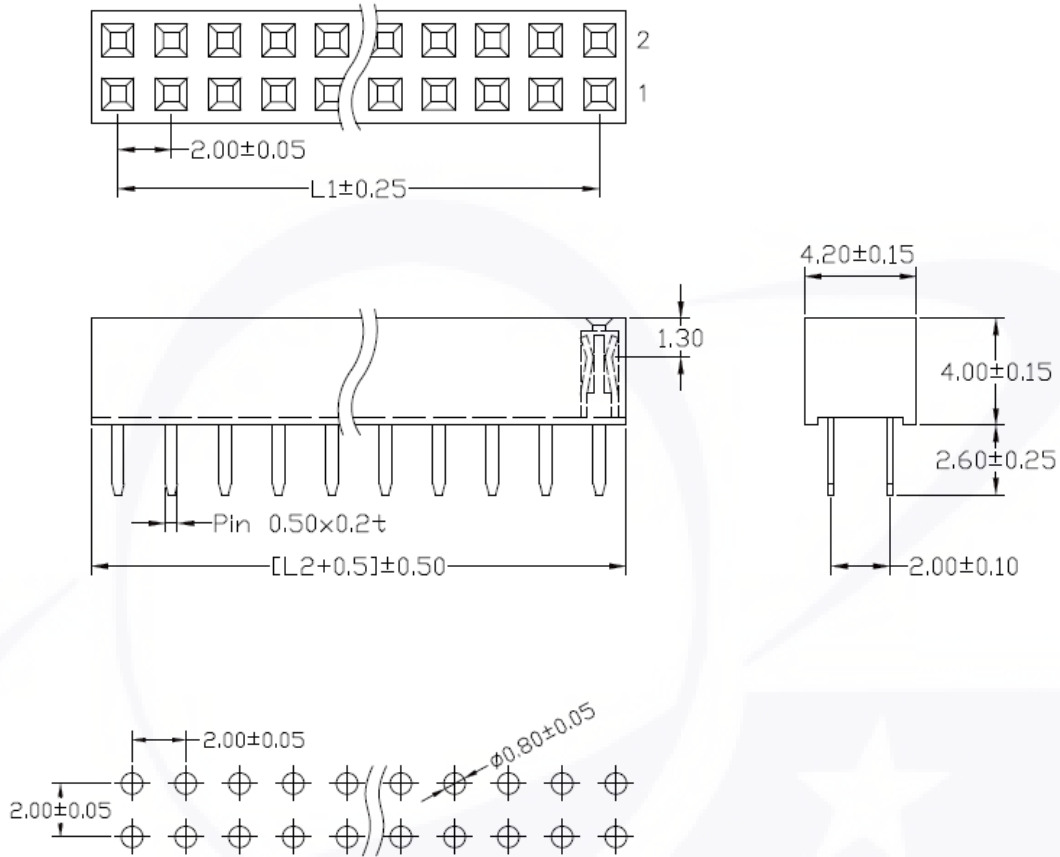
FEMALE HEADER STRAIGHT HEIGHT 4.00 PITCH 2.00 ROW SPACE 2.00 DUAL ROWS (CONTACT 2.60)

Material and Finish

Insulator Material: High Temperature Thermoplastic + Glass Fibre UL94V-0
 Color: Black
 Contact: Phosphor Bronze
 Plating: Gold, Tin or Duplex plated
 Standard: Gold flash all over
 Duplex plated: Gold plated on contact area
 Tin on solder area

Electrical

Current Rating: 2 AMP
 Insulation Resistance: 1000M ohms Min.
 Contact Resistance: 20m ohms Max.
 Dielectric Withstanding: AC 500V/minute.
 Operating Temperature: -40°C ~ +105°C



RECOMMENDED P. C. B. LAYOUT

Series	Pitch	Row	Post	Plating	Plastic Height	Contact	Option	NO. Pins
FS- (STRAIGHT)	1- [3] 2.00	[3] 2.00	[0] W/O	[G1] FULL GOLD PLATED 1u" [G15] FULL GOLD PLATED 15u"	400	260		2x_

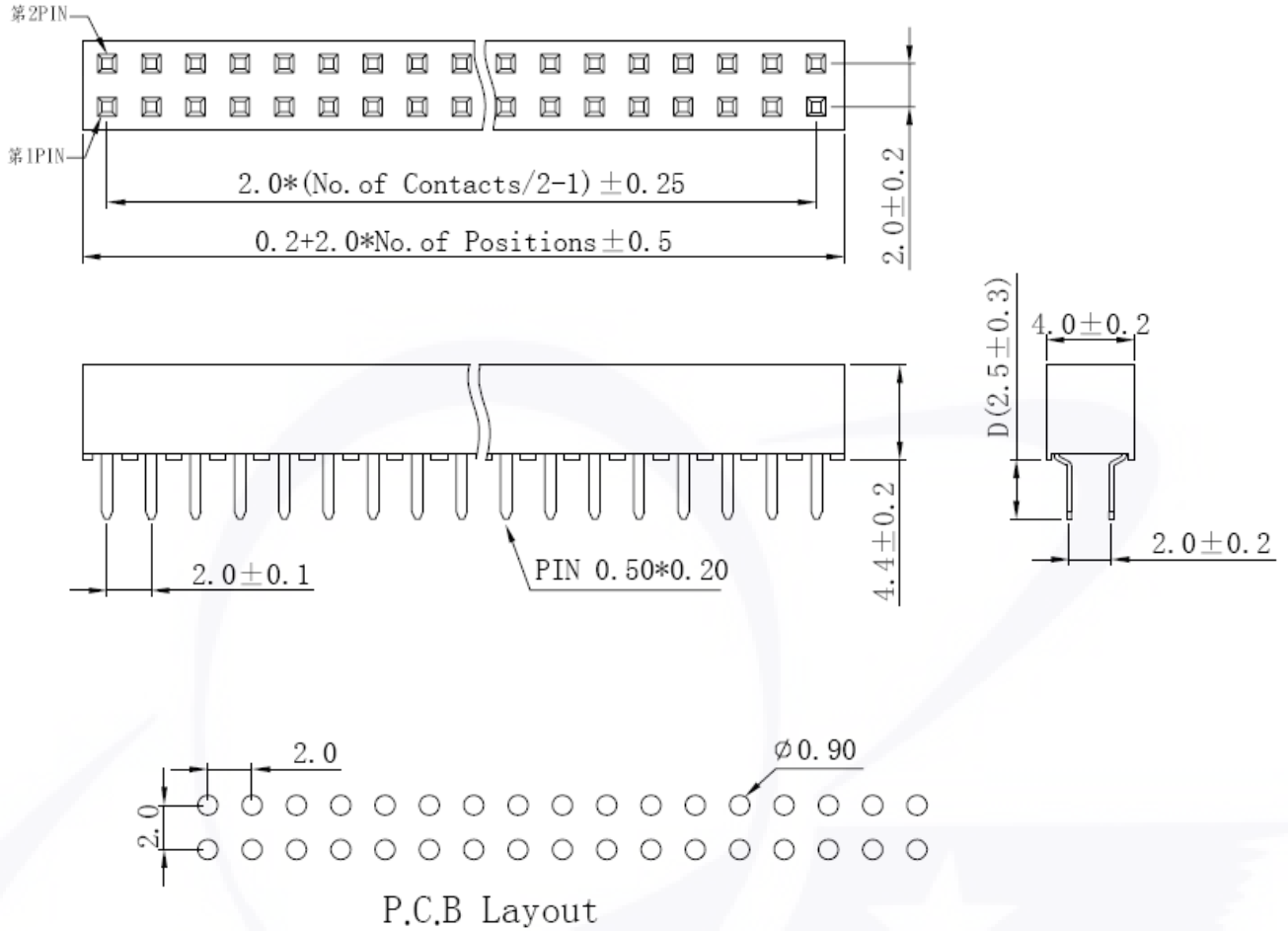
FEMALE HEADER, STRAIGHT, HEIGHT 4.40, PITCH 2.00, ROW SPACE 2.00, DUAL ROWS, CONTACT 2.50

Material and Finish

Housing: NY9T
 Contact: Phosphor Bronze
 Insulator: Thermoplastic UL94V-0
 Plating: Gold

Electrical

Current Rating: 1 AMP
 Insulation Resistance: 1000M ohms Min.
 Withstanding Voltage: 500V AC rms for 60 seconds
 Contact Resistance: 20M ohms Max.
 Operating Temperature: -40°C ~ +105°C



Series	Pitch	Row	Post	Plating	Plastic height	Pin Length	Option	N0. Pins
FS- STRAIGHT	1- [3] 2.00	[3] 2.00	[0] W/O	[G1] FULL GOLD PLATED 1u" [G15] FULL GOLD PLATED 15u"	440	-025		2x_

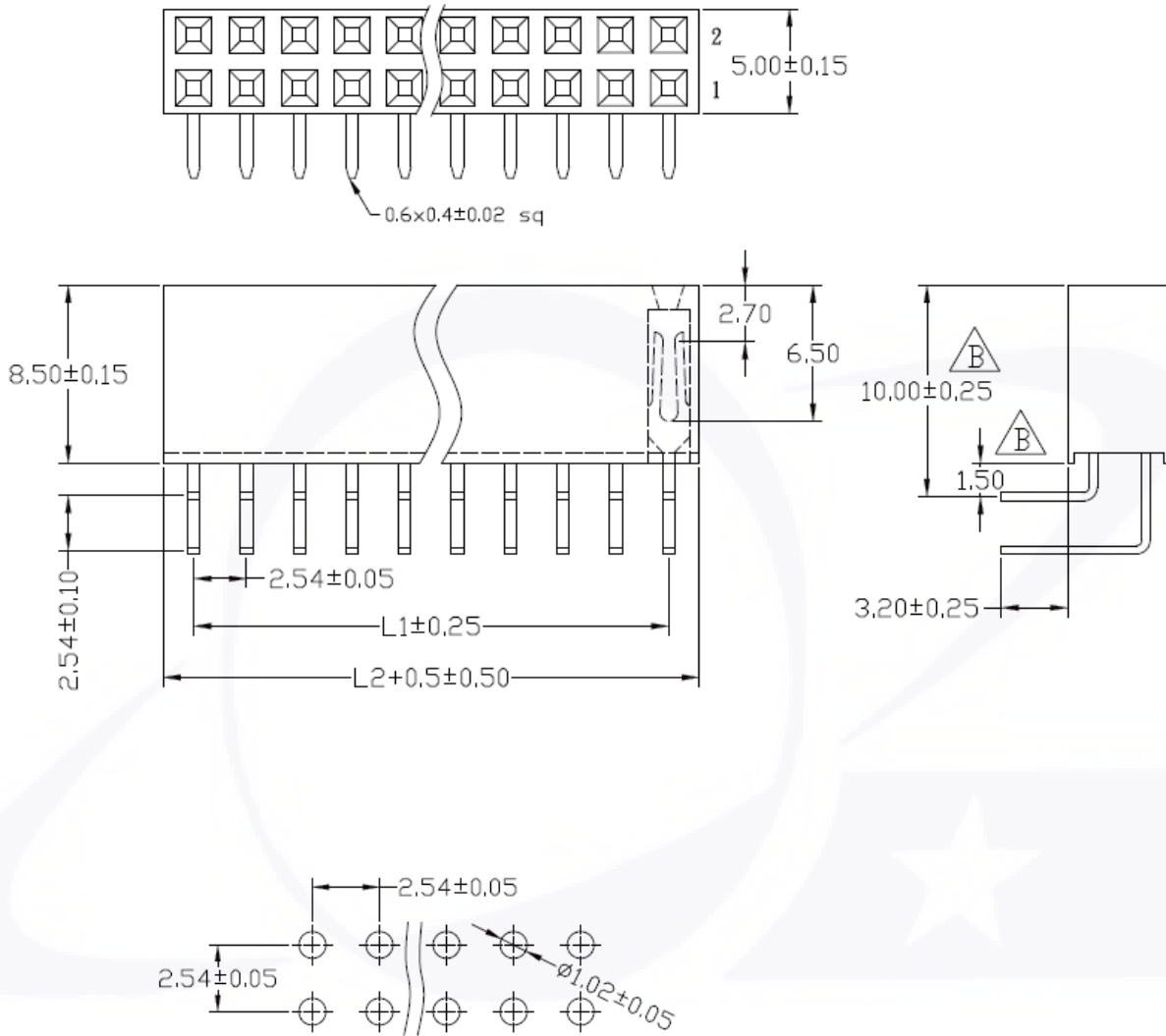
FEMALE HEADER RIGHT ANGLE HEIGHT 8.50 PITCH 2.54 ROW SPACE 2.54 DUAL ROWS (CONTACT 3.20)

Material and Finish

Insulator Material: High Temperature Thermoplastic + Glass Fibre UL94V-0
 Color: Black
 Contact: Phosphor Bronze
 Plating: Gold, Tin or Duplex plated
 Standard: Gold flash all over
 Duplex plated: Gold plated on contact area
 Tin on solder area

Electrical

Current Rating: 3 AMP
 Insulation Resistance: 5000M ohms Min.
 Contact Resistance: 20m ohms Max.
 Dielectric Withstanding: AC 500V/minute.
 Operating Temperature: -40°C ~ +105°C



RECOMMENDED P. C. B. LAYOUT

Series	Pitch	Row	Post	Plating	Plastic Height	Contact	Option	NO. Pins
FR- (RIGHT ANGLE)	1- [4] 2.54	[4] 2.54	[0] W/O	[G1] FULL GOLD PLATED 1u" [G15] FULL GOLD PLATED 15u"	850	320		2x_

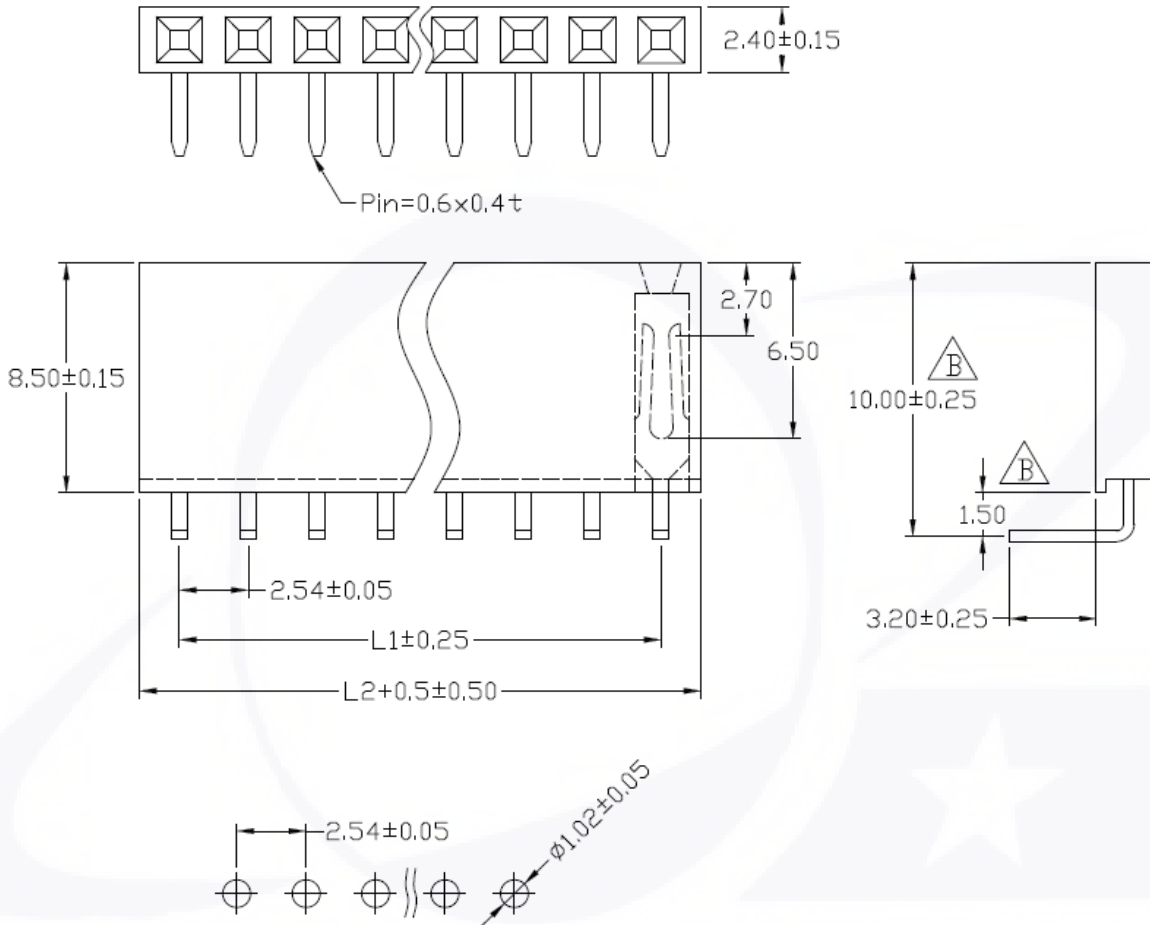
FEMALE HEADER RIGHT ANGLE HEIGHT 8.50 PITCH 2.54 SINGLE ROW (CONTACT 3.20)

Material and Finish

Insulator Material: High Temperature Thermoplastic + Glass Fibre UL94V-0
 Color: Black
 Contact: Phosphor Bronze
 Plating: Gold, Tin or Duplex plated
 Standard: Gold flash all over
 Duplex plated: Gold plated on contact area
 Tin on solder area

Electrical

Current Rating: 3 AMP
 Insulation Resistance: 5000M ohms Min.
 Contact Resistance: 20m ohms Max.
 Dielectric Withstanding: AC 500V/minute.
 Operating Temperature: -40°C ~ +105°C



RECOMMENDED P. C. B. LAYOUT

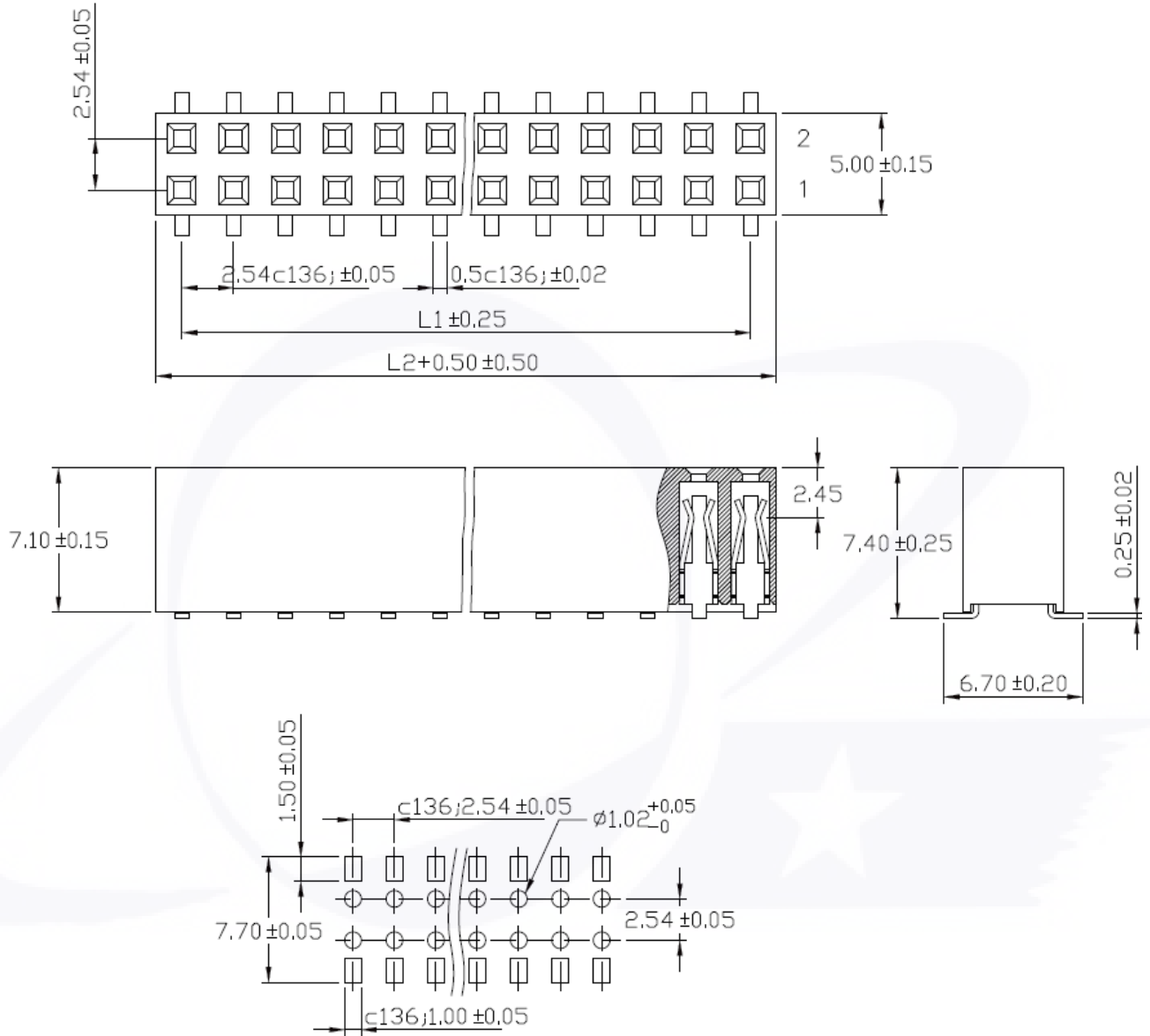
Series	Pitch	Post	Plating	Plastic Height	Contact	Option	NO. Pins
FR- (RIGHT ANGLE)	1- [4] 2.54	[0] W/O	[G1] FULL GOLD PLATED 1u" [G15] FULL GOLD PLATED 15u"	850	320		1x_

FEMALE HEADER SMT HEIGHT 7.10 PITCH 2.54 ROW SPACE 2.54 DUAL ROWS (LAYOUT 770)
Material and Finish

Insulator Material: High Temperature Thermoplastic + Glass Fibre UL94V-0
 Color: Black
 Contact: Phosphor Bronze
 Plating: Gold, Tin or Duplex plated
 Standard: Gold flash all over
 Duplex plated: Gold plated on contact area
 Tin on solder area

Electrical

Current Rating: 3 AMP
 Insulation Resistance: 5000M ohms Min.
 Contact Resistance: 20m ohms Max.
 Dielectric Withstanding: AC 500V/minute.
 Operating Temperature: -40°C ~ +105°C


RECOMMENDED P. C. B. LAYOUT

Series	Pitch	Row	Post	Plating	Plastic Height	Layout	Option	NO. Pins
FM- (SMT)	1- [4] 2.54	[4] 2.54	[0] W/O	[G1] FULL GOLD PLATED 1u" [G15] FULL GOLD PLATED 15u"	710	770		2x_

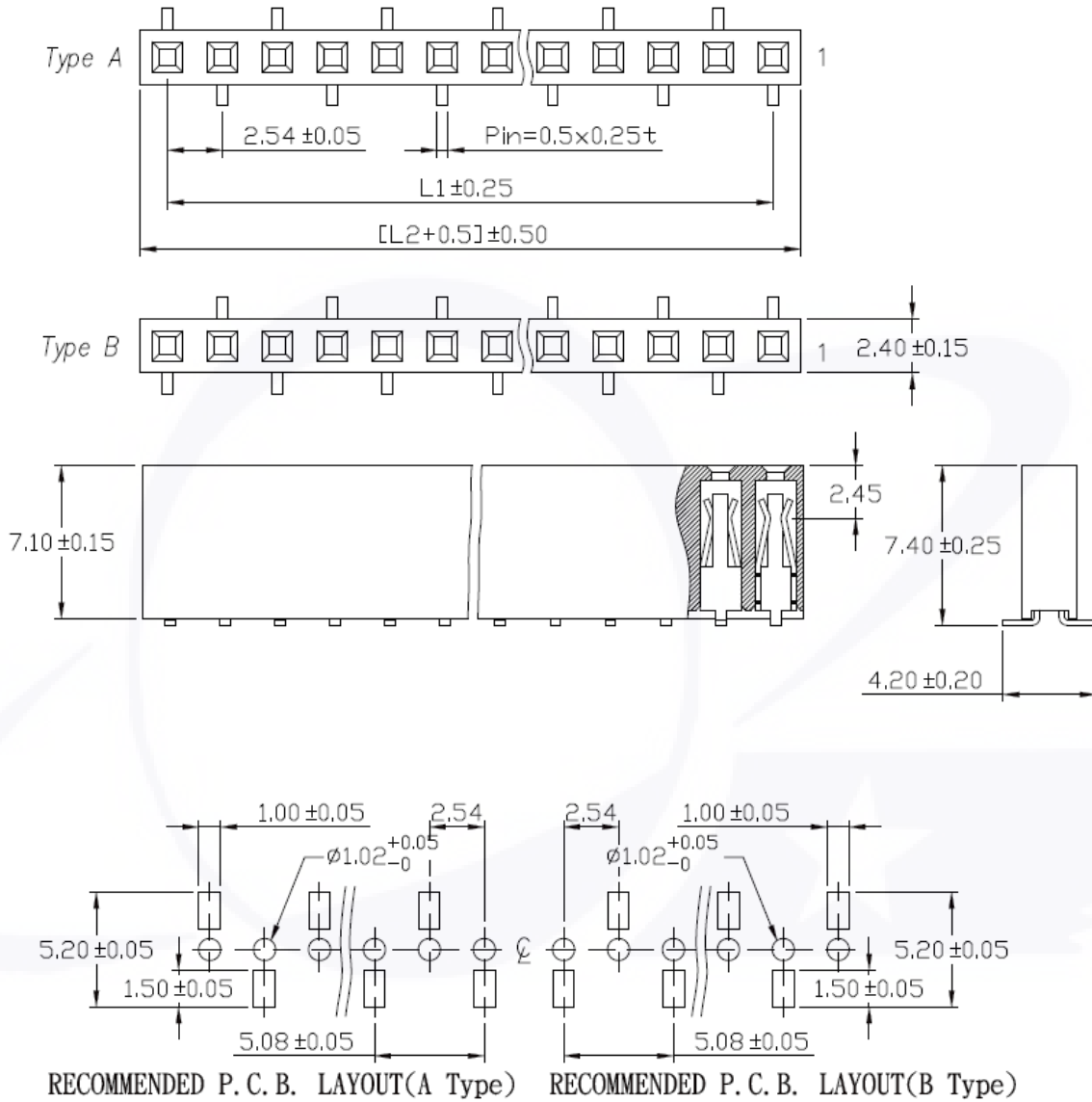
FEMALE HEADER SMT HEIGHT 7.10 PITCH 2.54 SINGLE ROW (LAYOUT 5.20)

Material and Finish

Insulator Material: High Temperature Thermoplastic + Glass Fibre UL94V-0
 Color: Black
 Contact: Phosphor Bronze
 Plating: Gold, Tin or Duplex plated
 Standard: Gold flash all over
 Duplex plated: Gold plated on contact area
 Tin on solder area

Electrical

Current Rating: 3 AMP
 Insulation Resistance: 5000M ohms Min.
 Contact Resistance: 20m ohms Max.
 Dielectric Withstanding: AC 500V/minute.
 Operating Temperature: -40°C ~ +105°C



Series	Pitch	Post	Plating	Plastic Height	Layout	Option	N0. Pins
FM- (SMT)	1- [4] 2.54	[0] W/O	[G1] FULL GOLD PLATED 1u* [G15] FULL GOLD PLATED 15u*	710	520	[A] A TYPE [B] B TYPE	1x_

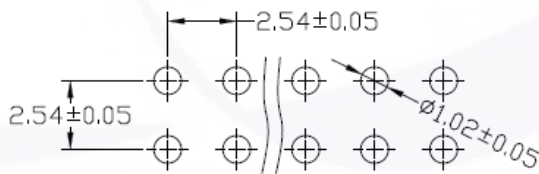
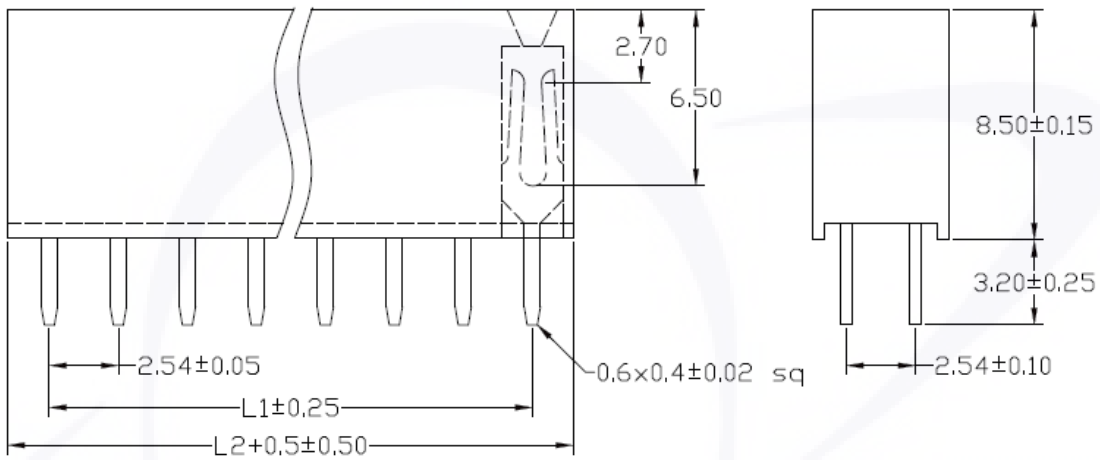
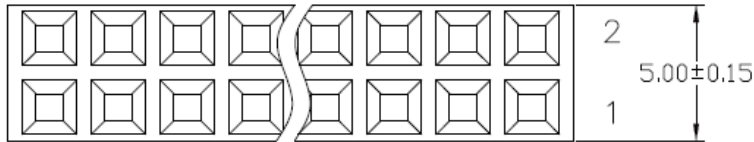
FEMALE HEADER STRAIGHT HEIGHT 8.50 PITCH 2.54 ROW SPACE 2.54 DUAL ROWS (CONTACT 3.20)

Material and Finish

Insulator Material: High Temperature Thermoplastic + Glass Fibre UL94V-0
 Color: Black
 Contact: Phosphor Bronze
 Plating: Gold, Tin or Duplex plated
 Standard: Gold flash all over
 Duplex plated: Gold plated on contact area
 Tin on solder area

Electrical

Current Rating: 3 AMP
 Insulation Resistance: 5000M ohms Min.
 Contact Resistance: 20m ohms Max.
 Dielectric Withstanding: AC 500V/minute.
 Operating Temperature: -40°C ~ +105°C



RECOMMENDED P. C. B. LAYOUT

Series	Pitch	Post	Plating	Plastic Height	Contact	Option	N0. Pins
FS- (STRAIGHT)	1- [4] 2.54	[0] W/O	[G1] FULL GOLD PLATED 1u" [G15] FULL GOLD PLATED 15u"	850	320		2x_

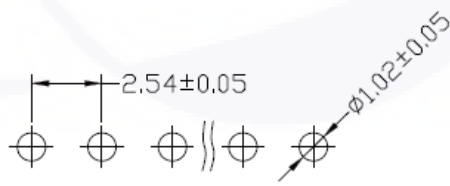
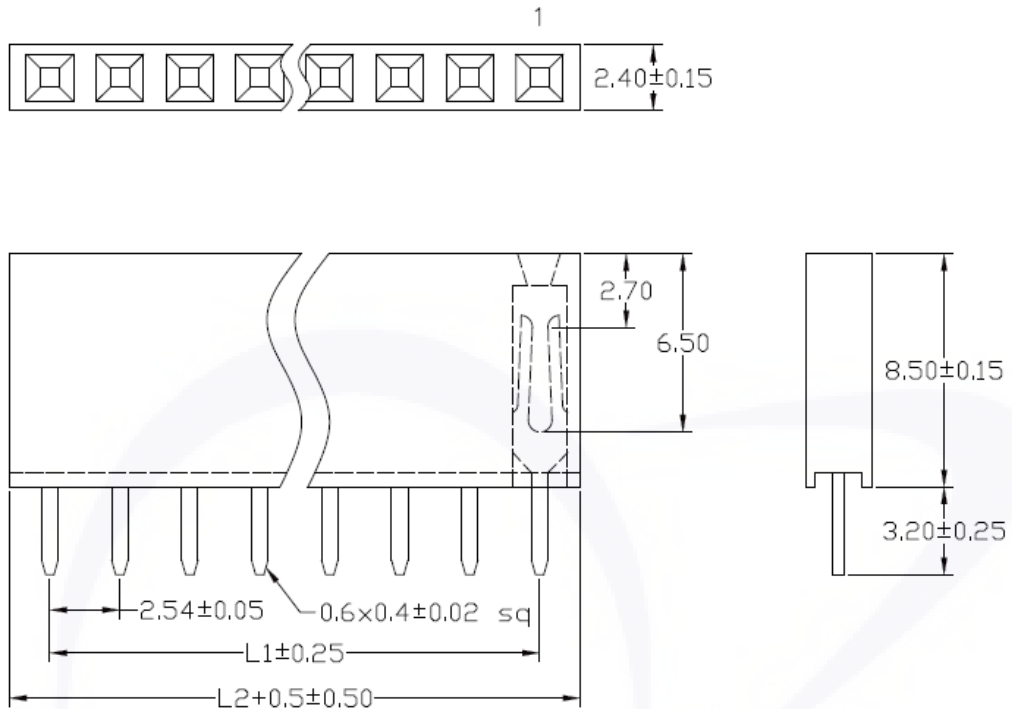
FEMALE HEADER STRAIGHT HEIGHT 8.50 PITCH 2.54 SINGLE ROW (CONTACT 3.20)

Material and Finish

Insulator Material: High Temperature Thermoplastic + Glass Fibre UL94V-0
 Color: Black
 Contact: Phosphor Bronze
 Plating: Gold, Tin or Duplex plated
 Standard: Gold flash all over
 Duplex plated: Gold plated on contact area
 Tin on solder area

Electrical

Current Rating: 3 AMP
 Insulation Resistance: 5000M ohms Min.
 Contact Resistance: 20m ohms Max.
 Dielectric Withstanding: AC 500V/minute.
 Operating Temperature: -40°C ~ +105°C



RECOMMENDED P. C. B. LAYOUT

Series	Pitch	Post	Plating	Plastic Height	Layout	Option	N0. Pins
FS- (STRAIGHT)	1- [4] 2.54	[0] W/O	[G1] FULL GOLD PLATED 1u" [G15] FULL GOLD PLATED 15u"	850	320		1x_

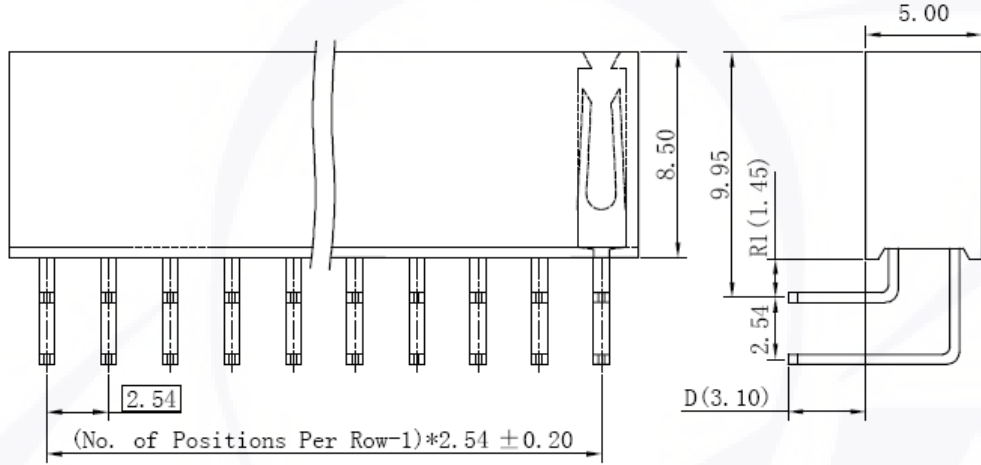
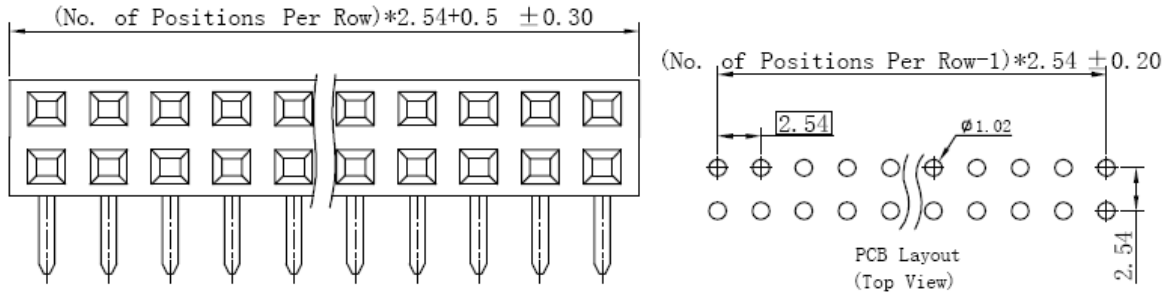
FEMALE HEADER, RIGHT ANGLE, HEIGHT 8.50, PITCH 2.54, ROW SPACE 2.54, DUAL ROWS, CONTACT 3.10

Material and Finish

Housing: Thermoplastic, UL 94V-0, BLACK
Terminal: Copper Alloy, T=0.40mm, Gold plating.

Electrical

Current Rating: 3.0 AMP Max.
Insulation Resistance: 1000M ohms Min. at 1000V DC
Withstanding Voltage: 1000V AC rms for 60 seconds
Contact Resistance: 30M ohms Max.
Operating Temperature: -55°C ~ +105°C



Series	Pitch	Row	Post	Plating	Plastic Height	Pin Length	Option	N0. Pins
FR- (RIGHT ANGLE)	1- [4] 2.54	[4] 2.54	[0] W/O	[G1] FULL GOLD PLATED 1u" [G15] FULL GOLD PLATED 15u"	850	-031		2x_

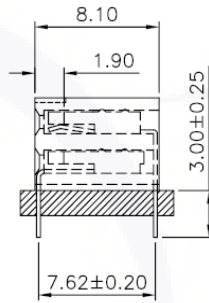
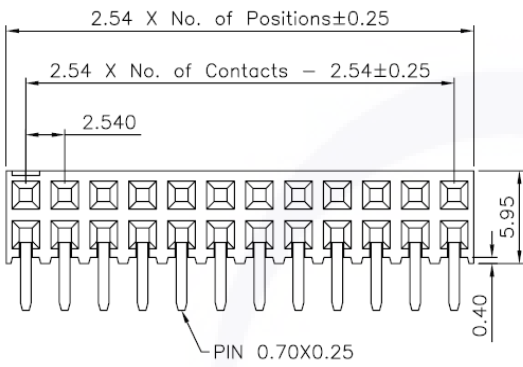
FEMALE HEADER, SIDE ENTRY, HEIGHT 5.95, PITCH 2.54, ROW SPACE 7.62, DUAL ROWS, CONTACT 3.00

Specification

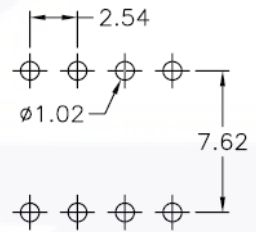
Current Rating: 3 Amp
 Insulation Resistance: 1000M ohms Min.
 Dielectric Withstanding: 600V AC/DC
 Contact Resistance: 20 m ohms Max.
 Operating Temperature: -40°C to +105°C

Material

Contact Material: Phosphor Bronze
 Insulation Material: Polyester, UL 94V-0



Recommended P.C.Board Hole Layout



Series	Pitch	Row	Post	Plating	Plastic Height	Pin Length	Option	N0. Pins
FHR-	1-	[4] 2.54 [7] 7.62	[0] W/O	[G1] FULL GOLD PLATED 1u" [G15] FULL GOLD PLATED 15u"	-595	-300		2x_