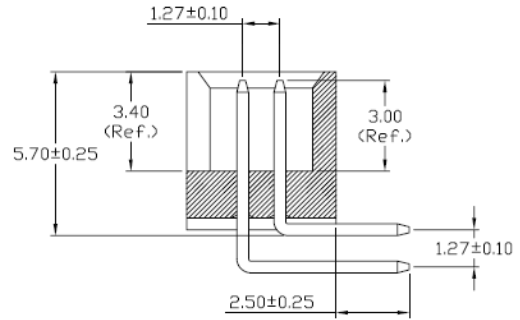
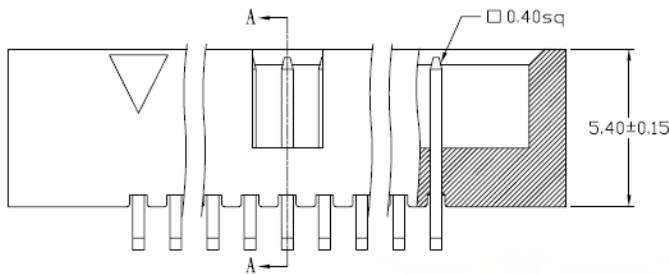


BOX HEADER, PITCH 1.27mm, RIGHT ANGLE, DUAL ROWS
Material and Finish

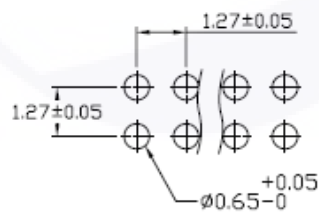
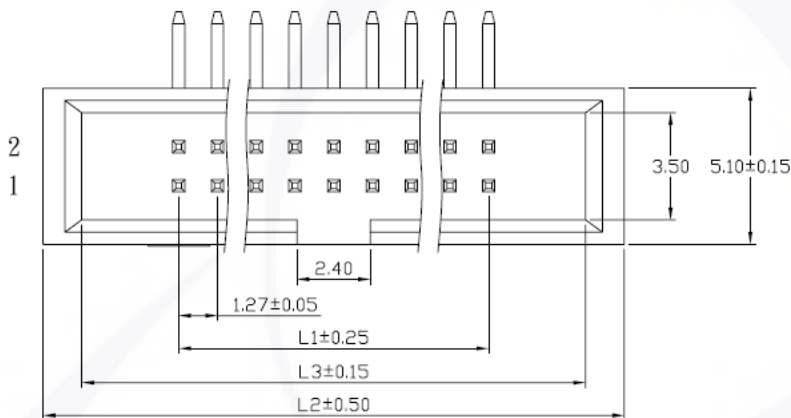
Housing: Polyester, UL 94-0, Black
 Gold, Tin or Duplex plated
 Duplex plated: Gold plated on contact area;
 Tin plated on solder area.

Electrical

Current Rating: 1Amp
 Voltage Rating: 100V
 Insulator Resistance: 1000 Megohms Min.
 Contact Resistance: 20m ohms Max.
 Dielectric Withstanding: AC 500V/minute
 Operating Temperature: -40 ~+105°C



Section A-A



RECOMMENDED P. C. B. LAYOUT

Cir- cuits	Dimension mm		
	L1	L2	L3
2X3	2.54	10.11	8.56
2X5	5.08	12.65	11.10
2X6	6.35	13.92	12.37
2X7	7.62	15.19	13.64
2X8	8.89	16.46	14.91
2X10	11.43	19.00	17.45
2X12	13.97	21.54	19.99
2X13	15.24	22.81	21.26
2X14	16.51	24.08	22.53
2X15	17.78	25.35	23.80
2X17	20.32	27.89	26.34
2X20	24.13	31.70	30.15
2X22	26.67	34.24	32.69
2X25	30.48	38.05	36.50
2X30	36.83	44.40	42.85
2X32	39.37	46.94	45.39
2X34	41.91	49.48	47.93
2X40	49.53	57.10	55.55
2X50	62.23	69.80	68.25

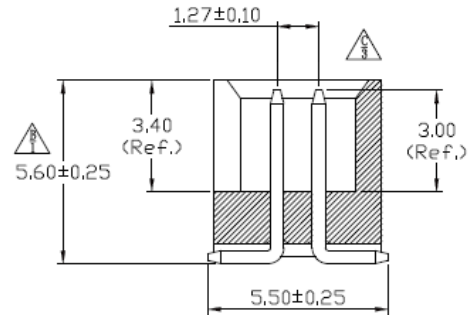
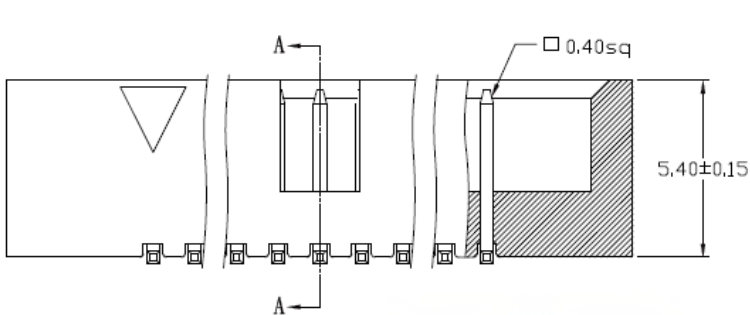
Series-	Pitch	Row	Plating	Plastic Height	NO. PINS
BHR-	1- [2] 1.27	[2] 1.27	[T0] TIN PLATED, LIGHT TIN [T1] SELECTIVE GOLD PLATED 1u" [G1] FULL GOLD PLATED 1u"	540	2x_

BOX HEADER, PITCH 1.27mm, SMT, DUAL ROWS
Material and Finish

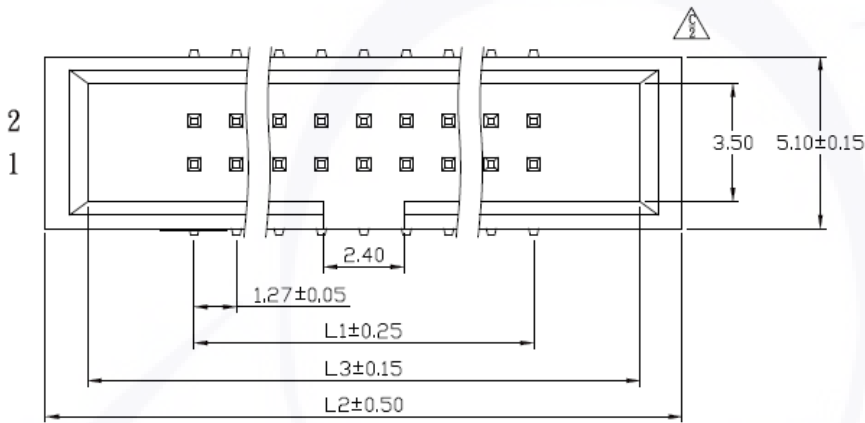
Housing: Polyester, UL 94-0, Black
 Gold, Tin or Duplex plated
 Duplex plated: Gold plated on contact area;
 Tin plated on solder area.

Electrical

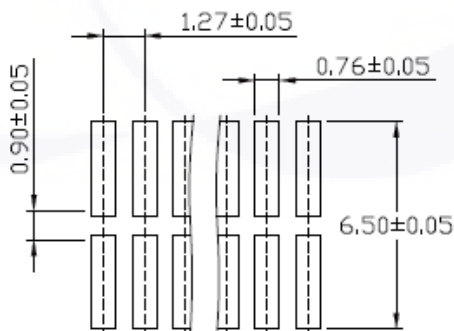
Current Rating: 1Amp
 Voltage Rating: 100V
 Insulator Resistance: 1000 Megohms Min.
 Contact Resistance: 20m ohms Max.
 Dielectric Withstanding: AC 500V/minute
 Operating Temperature: -40 ~+105°C



Section A-A



Cir- cuits	Dimension mm		
	L1	L2	L3
2X3	2.54	10.11	8.56
2X5	5.08	12.65	11.10
2X6	6.35	13.92	12.37
2X7	7.62	15.19	13.64
2X8	8.89	16.46	14.91
2X10	11.43	19.00	17.45
2X12	13.97	21.54	19.99
2X13	15.24	22.81	21.26
2X14	16.51	24.08	22.53
2X15	17.78	25.35	23.80
2X17	20.32	27.89	26.34
2X20	24.13	31.70	30.15
2X22	26.67	34.24	32.69
2X25	30.48	38.05	36.50
2X30	36.83	44.40	42.85
2X32	39.37	46.94	45.39
2X34	41.91	49.48	47.93
2X40	49.53	57.10	55.55
2X50	62.23	69.80	68.25


RECOMMENDED P. C. B. LAYOUT

Series-	Pitch	Row	Plating	Plastic Height	NO. PINS
BHM-	1- [2] 1.27	[2]1.27	[T0] TIN PLATED, LIGHT TIN [T1] SELECTIVE GOLD PLATED 1u" [G1] FULL GOLD PLATED 1u"	540	2x_

BOX HEADER, PITCH 1.27mm, STRAIGHT, DUAL ROWS
Material and Finish

Housing: Polyester, UL 94-0, Black

Contact Material: Brass

Gold, Tin or Duplex plated

Duplex plated: Gold plated on contact area;

Tin plated on solder area.

Electrical

Current Rating: 1Amp

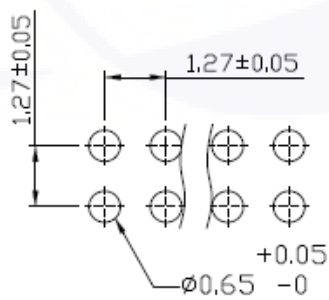
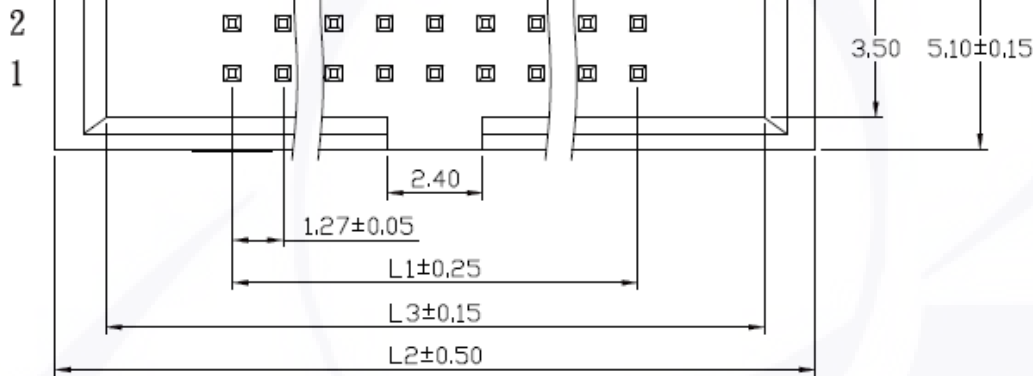
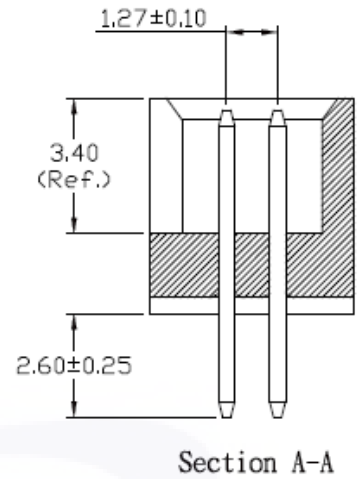
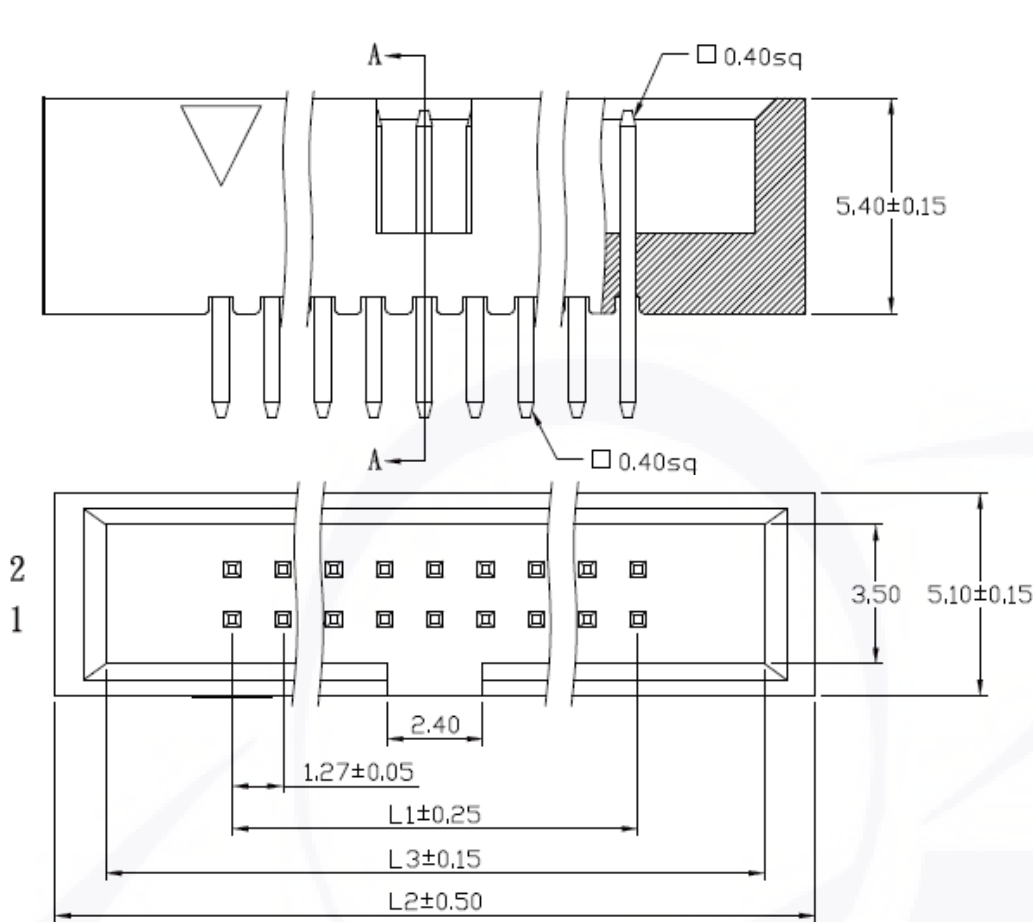
Voltage Rating: 100V

Insulator Resistance: 1000 Megohms Min.

Contact Resistance: 20m ohms Max.

Dielectric Withstanding: AC 500V/minute

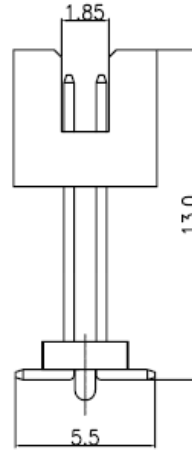
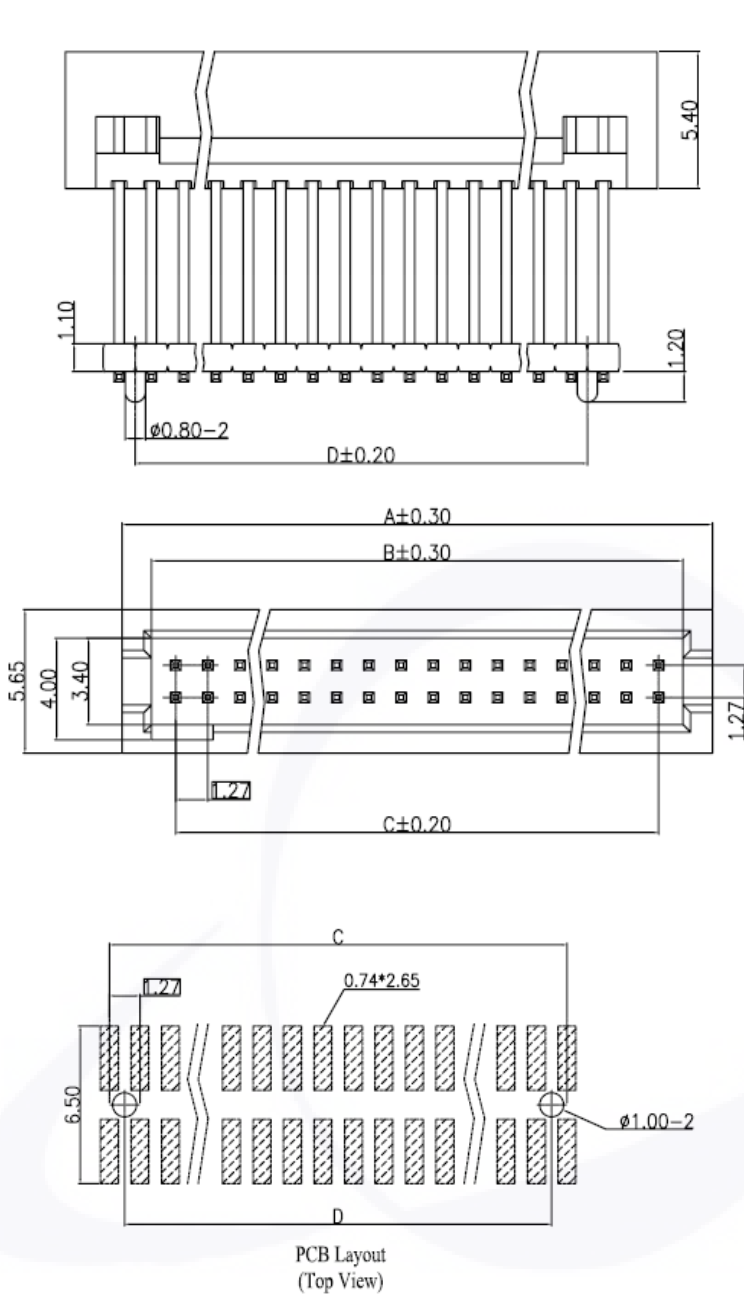
Operating Temperature: -40 ~+105°C


RECOMMENDED P. C. B. LAYOUT

Cir- cuits	Dimension mm		
	L1	L2	L3
2X3	2.54	10.11	8.56
2X5	5.08	12.65	11.10
2X6	6.35	13.92	12.37
2X7	7.62	15.19	13.64
2X8	8.89	16.46	14.91
2X10	11.43	19.00	17.45
2X12	13.97	21.54	19.99
2X13	15.24	22.81	21.26
2X14	16.51	24.08	22.53
2X15	17.78	25.35	23.80
2X17	20.32	27.89	26.34
2X20	24.13	31.70	30.15
2X22	26.67	34.24	32.69
2X25	30.48	38.05	36.50
2X30	36.83	44.40	42.85
2X32	39.37	46.94	45.39
2X34	41.91	49.48	47.93
2X40	49.53	57.10	55.55
2X50	62.23	69.80	68.25

Series-	Pitch	Row	Plating	Plastic Height	NO. PINS
BHS-	1-	[2] 1.27 [2]1.27	[T0] TIN PLATED, LIGHT TIN [T1] SELECTIVE GOLD PLATED 1u" [G1] FULL GOLD PLATED 1u"	540	2x_

BOX HEADER, PITCH 1.27mm, SMT, DUAL ROWS, ELEVATE



Pin 數	A	B	C	D	Pin 數	A	B	C	D
10	9.41	6.99	5.08	3.81	56	38.62	36.20	34.29	33.02
12	10.68	8.26	6.35	5.08	58	39.89	37.47	35.56	34.29
14	11.95	9.53	7.62	6.35	60	41.16	38.74	36.83	35.56
16	13.22	10.80	8.89	7.62	62	42.43	40.01	38.10	36.83
18	14.49	12.07	10.16	8.89	64	43.70	41.28	39.37	38.10
20	15.76	13.34	11.43	10.16	66	44.97	42.55	40.64	39.37
22	17.03	14.61	12.70	11.43	68	46.24	43.82	41.91	40.64
24	18.30	15.88	13.97	12.70	70	47.51	45.09	43.18	41.91
26	19.57	17.15	15.24	13.97	72	48.78	46.36	44.45	43.18
28	20.84	18.42	16.51	15.24	74	50.05	47.63	45.72	44.45
30	22.11	19.69	17.78	16.51	76	51.32	48.90	46.99	45.72
32	23.38	20.96	19.05	17.78	78	52.59	50.17	48.26	46.99
34	24.65	22.23	20.32	19.05	80	53.86	51.44	49.53	48.26
36	25.92	23.50	21.59	20.32	82	55.13	52.71	50.80	49.53
38	27.19	24.77	22.86	21.59	84	56.40	53.98	52.07	50.80
40	28.46	26.04	24.13	22.86	86	57.67	55.25	53.34	52.07
42	29.73	27.31	25.40	24.13	88	58.94	56.52	54.61	53.34
44	31.00	28.58	26.67	25.40	90	60.21	57.79	55.88	54.61
46	32.27	29.85	27.94	26.67	92	61.48	59.06	57.15	55.88
48	33.54	31.12	29.21	27.94	94	62.75	60.33	58.42	57.15
50	34.81	32.39	30.48	29.21	96	64.02	61.60	59.69	58.42
52	36.08	33.66	31.75	30.48	98	65.29	62.87	60.96	59.69
54	37.35	34.93	33.02	31.75	100	66.56	64.14	62.23	60.96

Series-	Pitch	Row	Type	Post	Plating	Plastic Height	NO. PINS
BHI-	1-	[2] 1.27	[2] 1.27 [M] SMT	[1] W/ [0] W/O	[T0] TIN PLATED, LIGHT TIN [T1] SELECTIVE GOLD PLATED 1u" [G1] FULL GOLD PLATED 1u"	540	2x_

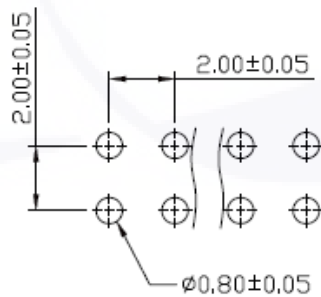
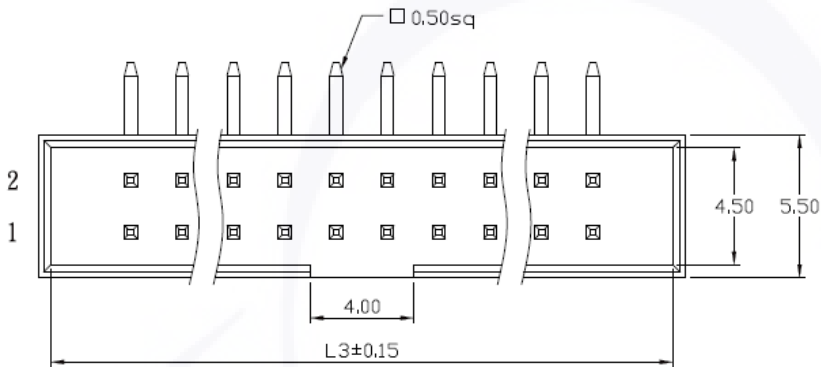
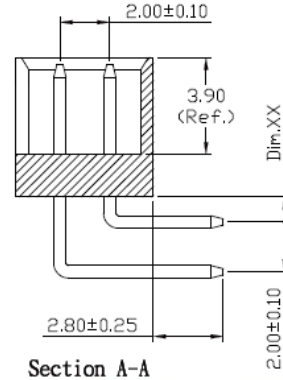
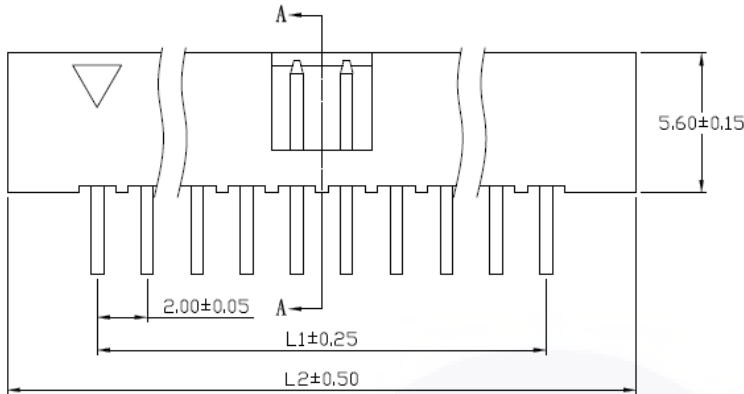
BOX HEADER, PITCH 2.00mm, RIGHT ANGLE, DUAL ROWS

Material and Finish

Housing: Polyester, UL 94-0, Black
 Contact Material: Brass
 Gold, Tin or Duplex plated
 Duplex plated: Gold plated on contact area;
 Tin plated on solder area.

Electrical

Current Rating: 2Amp
 Voltage Rating: 125V
 Insulator Resistance: 3000 Megohms Min.
 Contact Resistance: 20m ohms Max.
 Dielectric Withstanding: AC 500V/minute
 Operating Temperature: -40 ~+105°C



RECOMMENDED P. C. B. LAYOUT

Cir- cuits	Dimension mm		
	L1	L2	L3
2x3	4.00	13.20	12.20
2x4	6.00	15.20	14.20
2x5	8.00	17.20	16.20
2x6	10.00	19.20	18.20
2x7	12.00	21.20	20.20
2x8	14.00	23.20	22.20
2x9	16.00	25.20	24.20
2x10	18.00	27.20	26.20
2x11	20.00	29.20	28.20
2x12	22.00	31.20	30.20
2x13	24.00	33.20	32.20
2x14	26.00	35.20	34.20
2x15	28.00	37.20	36.20
2x16	30.00	39.20	38.20
2x17	32.00	41.20	40.20
2x18	34.00	43.20	42.20
2x19	36.00	45.20	44.20
2x20	38.00	47.20	46.20
2x21	40.00	49.20	48.20
2x22	42.00	51.20	50.20
2x23	44.00	53.20	52.20
2x24	46.00	55.20	54.20
2x25	48.00	57.20	56.20
2x26	50.00	59.20	58.20
2x27	52.00	61.20	60.20
2x28	54.00	63.20	62.20
2x29	56.00	65.20	64.20
2x30	58.00	67.20	66.20
2x31	60.00	69.20	68.20
2x32	62.00	71.20	70.20
2x33	64.00	73.20	72.20
2x34	66.00	75.20	74.20

Series-	Pitch	Row	Plating	Plastic Height	NO. PINS
BHR-	1- [3] 2.00	[3] 2.00	[T0] TIN PLATED, LIGHT TIN [T1] SELECTIVE GOLD PLATED 1u" [G1] FULL GOLD PLATED 1u"	560	2x_

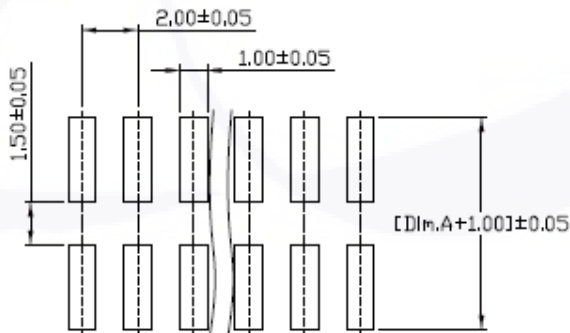
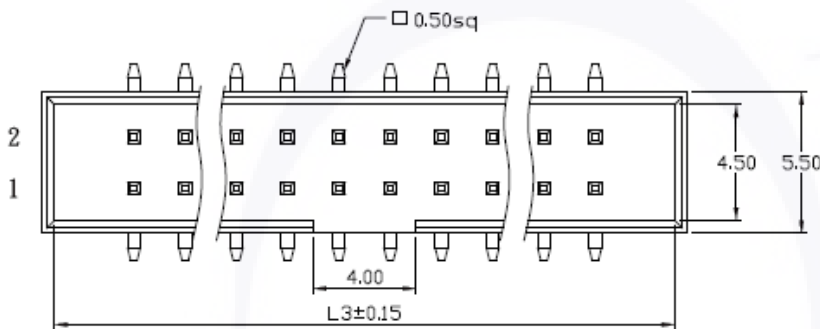
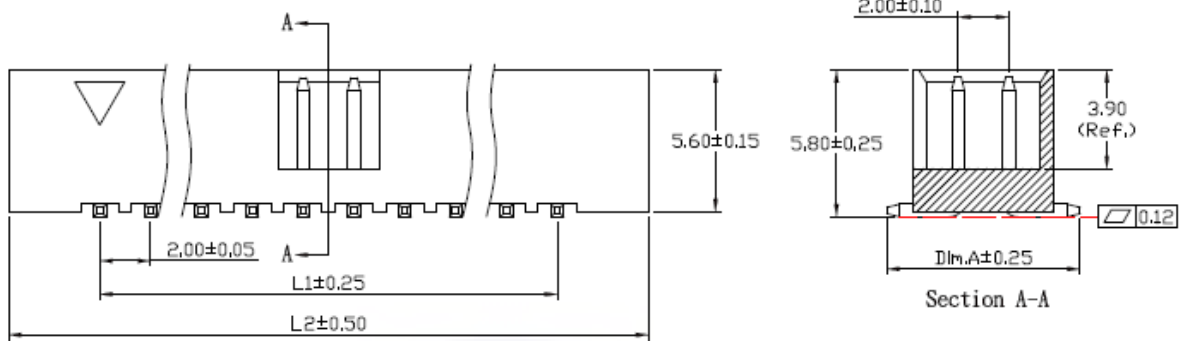
BOX HEADER, PITCH 2.00mm, SMT, DUAL ROWS

Material and Finish

Housing: Polyester, UL 94-0, Black
 Contact Material: Brass
 Gold, Tin or Duplex plated
 Duplex plated: Gold plated on contact area;
 Tin plated on solder area.

Electrical

Current Rating: 2Amp
 Voltage Rating: 125V
 Insulator Resistance: 3000 Megohms Min.
 Contact Resistance: 20m ohms Max.
 Dielectric Withstanding: AC 500V/minute
 Operating Temperature: -40 ~+105°C



RECOMMENDED P. C. B. LAYOUT

Cir- cuits	Dimension mm		
	L1	L2	L3
2x3	4.00	13.20	12.20
2x4	6.00	15.20	14.20
2x5	8.00	17.20	16.20
2x6	10.00	19.20	18.20
2x7	12.00	21.20	20.20
2x8	14.00	23.20	22.20
2x9	16.00	25.20	24.20
2x10	18.00	27.20	26.20
2x11	20.00	29.20	28.20
2x12	22.00	31.20	30.20
2x13	24.00	33.20	32.20
2x14	26.00	35.20	34.20
2x15	28.00	37.20	36.20
2x16	30.00	39.20	38.20
2x17	32.00	41.20	40.20
2x18	34.00	43.20	42.20
2x19	36.00	45.20	44.20
2x20	38.00	47.20	46.20
2x21	40.00	49.20	48.20
2x22	42.00	51.20	50.20
2x23	44.00	53.20	52.20
2x24	46.00	55.20	54.20
2x25	48.00	57.20	56.20
2x26	50.00	59.20	58.20
2x27	52.00	61.20	60.20
2x28	54.00	63.20	62.20
2x29	56.00	65.20	64.20
2x30	58.00	67.20	66.20
2x31	60.00	69.20	68.20
2x32	62.00	71.20	70.20
2x33	64.00	73.20	72.20
2x34	66.00	75.20	74.20

Series-	Pitch	Row	Plating	Plastic Height	NO. PINS
BHM-	1-	[3] 2.00 [3] 2.00	[T0] TIN PLATED, LIGHT TIN [T1] SELECTIVE GOLD PLATED 1u" [G1] FULL GOLD PLATED 1u"	560	2x_

BOX HEADER, PITCH 2.00mm, STRAIGHT, DUAL ROWS
Material and Finish

Housing: Polyester, UL 94-0, Black

Contact Material: Brass

Gold, Tin or Duplex plated

Duplex plated: Gold plated on contact area;

Tin plated on solder area.

Electrical

Current Rating: 2Amp

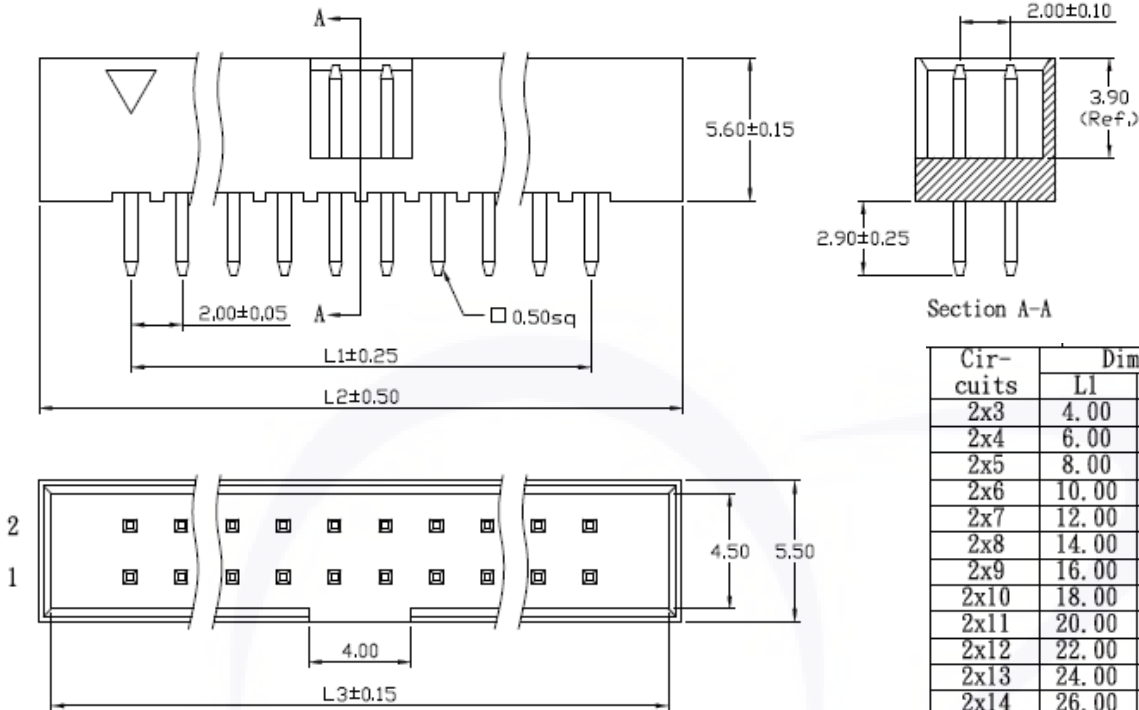
Voltage Rating: 125V

Insulator Resistance: 3000 Megohms Min.

Contact Resistance: 20m ohms Max.

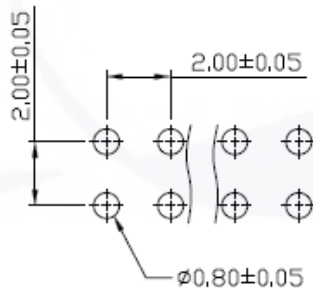
Dielectric Withstanding: AC 500V/minute

Operating Temperature: -40 ~+105°C



Section A-A

Cir- cuits	Dimension mm		
	L1	L2	L3
2x3	4.00	13.20	12.20
2x4	6.00	15.20	14.20
2x5	8.00	17.20	16.20
2x6	10.00	19.20	18.20
2x7	12.00	21.20	20.20
2x8	14.00	23.20	22.20
2x9	16.00	25.20	24.20
2x10	18.00	27.20	26.20
2x11	20.00	29.20	28.20
2x12	22.00	31.20	30.20
2x13	24.00	33.20	32.20
2x14	26.00	35.20	34.20
2x15	28.00	37.20	36.20
2x16	30.00	39.20	38.20
2x17	32.00	41.20	40.20
2x18	34.00	43.20	42.20
2x19	36.00	45.20	44.20
2x20	38.00	47.20	46.20
2x21	40.00	49.20	48.20
2x22	42.00	51.20	50.20
2x23	44.00	53.20	52.20
2x24	46.00	55.20	54.20
2x25	48.00	57.20	56.20
2x26	50.00	59.20	58.20
2x27	52.00	61.20	60.20
2x28	54.00	63.20	62.20
2x29	56.00	65.20	64.20
2x30	58.00	67.20	66.20
2x31	60.00	69.20	68.20
2x32	62.00	71.20	70.20
2x33	64.00	73.20	72.20
2x34	66.00	75.20	74.20

RECOMMENDED P. C. B. LAYOUT


Series-	Pitch	Row	Plating	Plastic Height	NO. PINS
BHS-	1- [3] 2.00	[3] 2.00	[T0] TIN PLATED, LIGHT TIN [T1] SELECTIVE GOLD PLATED 1u" [G1] FULL GOLD PLATED 1u"	560	2x_

BOX HEADER, PITCH 2.54mm, SMT, DUAL ROWS

Material and Finish

Housing: Polyester, UL 94-0, Black

Contact Material: Brass

Gold, Tin or Duplex plated

Duplex plated: Gold plated on contact area;

Tin plated on solder area.

Electrical

Current Rating: 3Amp

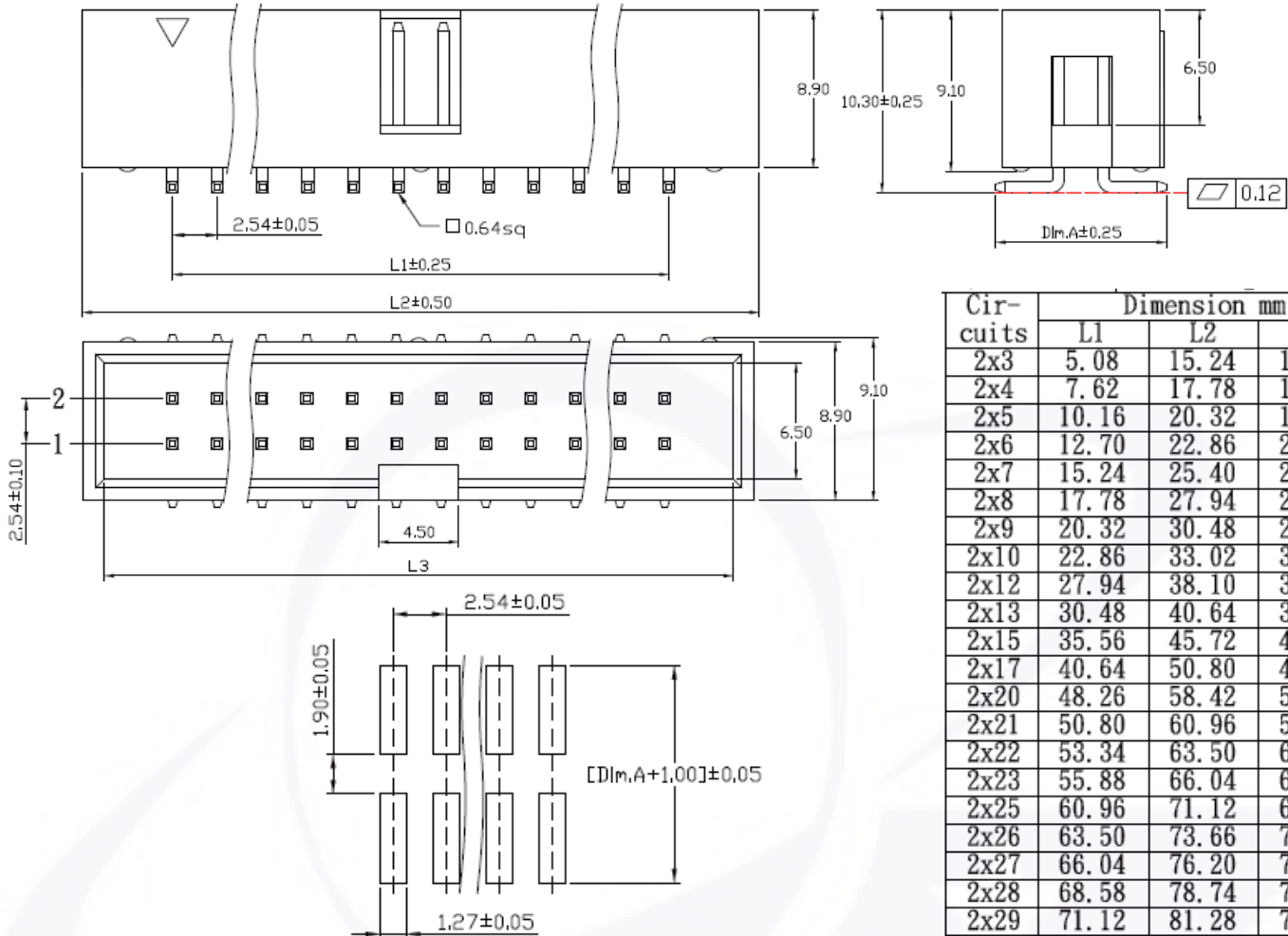
Voltage Rating: 230V

Insulator Resistance: 5000 Megohms Min.

Contact Resistance: 20m ohms Max.

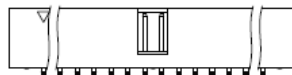
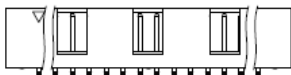
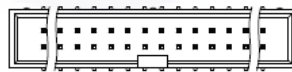
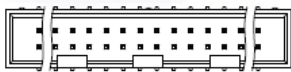
Dielectric Withstanding: AC 1000V/minute

Operating Temperature: -40 ~+105°C



RECOMMENDED P. C. B. LAYOUT

Circuits	Dimension mm		
	L1	L2	L3
2x3	5.08	15.24	12.84
2x4	7.62	17.78	15.38
2x5	10.16	20.32	17.92
2x6	12.70	22.86	20.46
2x7	15.24	25.40	23.00
2x8	17.78	27.94	25.54
2x9	20.32	30.48	28.08
2x10	22.86	33.02	30.62
2x12	27.94	38.10	35.70
2x13	30.48	40.64	38.24
2x15	35.56	45.72	43.32
2x17	40.64	50.80	48.40
2x20	48.26	58.42	56.02
2x21	50.80	60.96	58.56
2x22	53.34	63.50	61.10
2x23	55.88	66.04	63.64
2x25	60.96	71.12	68.72
2x26	63.50	73.66	71.26
2x27	66.04	76.20	73.80
2x28	68.58	78.74	76.34
2x29	71.12	81.28	78.88
2x30	73.66	83.82	81.42
2x32	78.74	88.90	86.50



60/64Pin

06~58Pin

Series-	Pitch	Row	Plating	Plastic Height	NO. PINS
BHM-	1- [4] 2.54	[4] 2.54	[T0] TIN PLATED, LIGHT TIN [T1] SELECTIVE GOLD PLATED 1u" [G1] FULL GOLD PLATED 1u"	890	2x_

BOX HEADER, PITCH 2.54mm, PCB MOUNT, RIGHT ANGLE, DUAL ROWS

Material and Finish

Housing: Thermoplastic (UL94V-0)

Terminal: SQ, 0.64mm, Copper Alloy, Gold Plated

Electrical

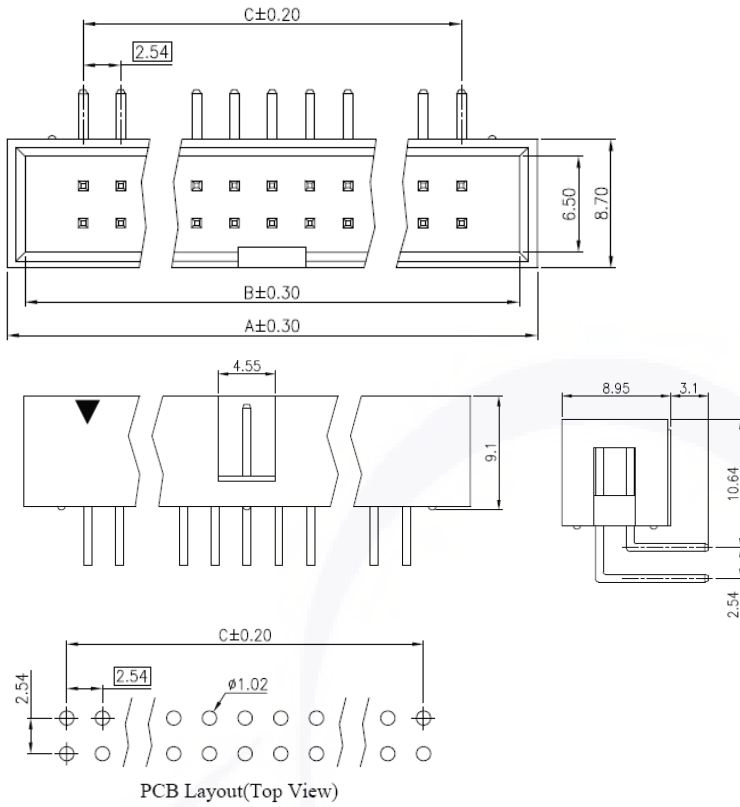
Current Rating: 3.0 AMP. Max

Dielectric Withstand Voltage: 1000V AC RMS for 60 Seconds.

Insulation Resistance: 1000M ohms Min. at 1000V DC

Mechanical

Operating Temperature: -55°C~ +105°C



Dimension			
Pos.	A	B	C
06	15.24	12.94	5.08
08	17.78	15.48	7.62
10	20.32	18.02	10.16
12	22.86	20.56	12.70
14	25.40	23.10	15.24
16	27.94	25.64	17.78
20	33.02	30.72	22.86
24	38.10	35.80	27.94
26	40.64	38.34	30.48
30	45.72	43.42	35.56
34	50.80	48.50	40.64
40	58.42	56.12	48.26
44	63.50	61.20	53.34
50	71.12	68.82	60.96

Series-	Pitch	Row	Plating-	Plastic Height	NO. PINS
BHR- (90°/DIP)	3- [4] 2.54	[4] 2.54	[T0] TIN PLATED, LIGHT TIN [T1] SELECTIVE GOLD PLATED 1u" [G1] FULL GOLD PLATED 1u"	910	2x_