

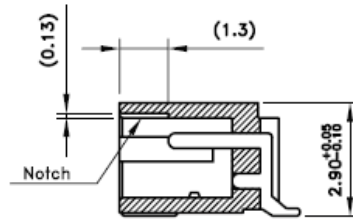
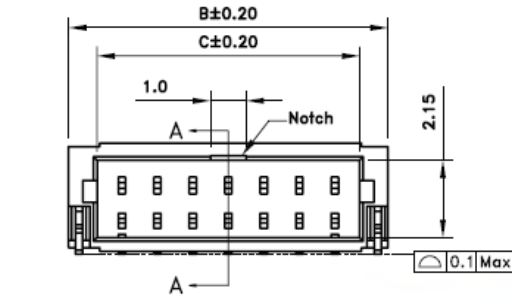
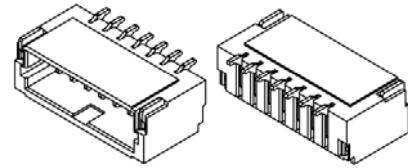
WAFER CONNECTOR, PITCH 1.00, SMT, RIGHT ANGLE, SINGLE ROW, CRIMP STYLE

Material and Finish

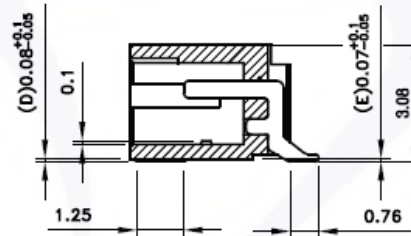
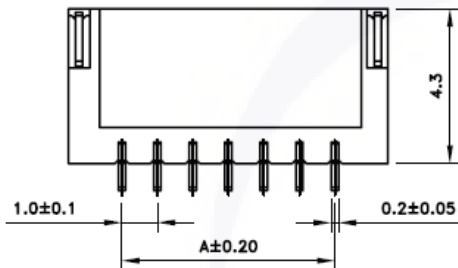
Contact: Phos. Bronze
 Fitting Nail: Brass, Tin Plated
 Notch for Cap Stopper (Straight)

Electrical

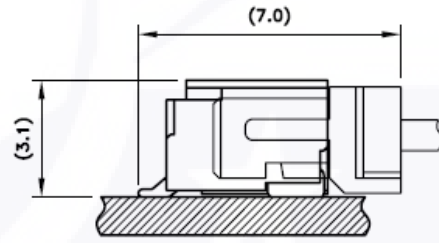
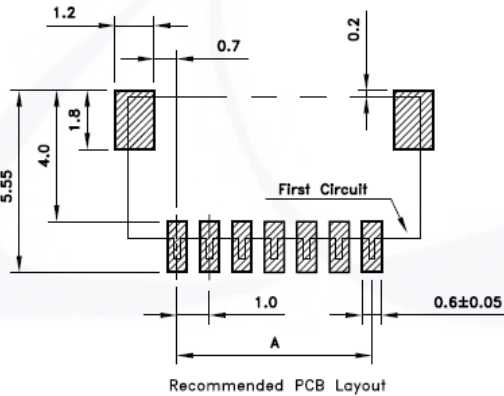
Current Rating: 1A AC/DC
 Withstanding Voltage: 500V AC for 1 minute.
 Insulation Resistance: 100M ohms Min.
 Temperature Range: -25°C ~ +85°C
 Contact Resistance: 20m ohms Max.



Section A-A 5 Circuit



Section A-A 2~4 & 6~22 Circuit



Mated Height(REF.)

| Poles | Dimensions (mm) | | | Poles | Dimensions (mm) | | |
|-------|-----------------|-------|-------|-------|-----------------|-------|-------|
| | A | B | C | | A | B | C |
| 2 | 1.00 | 4.00 | 2.45 | 13 | 12.00 | 15.00 | 13.45 |
| 3 | 2.00 | 5.00 | 3.45 | 14 | 13.00 | 16.00 | 14.45 |
| 4 | 3.00 | 6.00 | 4.45 | 15 | 14.00 | 17.00 | 15.45 |
| 5 | 4.00 | 7.00 | 5.45 | 16 | 15.00 | 18.00 | 16.45 |
| 6 | 5.00 | 8.00 | 6.45 | 17 | 16.00 | 19.00 | 17.45 |
| 7 | 6.00 | 9.00 | 7.45 | 18 | 17.00 | 20.00 | 18.45 |
| 8 | 7.00 | 10.00 | 8.45 | 19 | 18.00 | 21.00 | 19.45 |
| 9 | 8.00 | 11.00 | 9.45 | 20 | 19.00 | 22.00 | 20.45 |
| 10 | 9.00 | 12.00 | 10.45 | 21 | 20.00 | 23.00 | 21.45 |
| 11 | 10.00 | 13.00 | 11.45 | 22 | 21.00 | 24.00 | 22.45 |
| 12 | 11.00 | 14.00 | 12.45 | | | | |

| Series | Free Code | Pitch | Style | Plating |
|--------|-----------|------------|-------------|-----------------|
| WFC | 1- | [A] 1.00mm | [RM] 90°SMT | [T0] TIN PLATED |

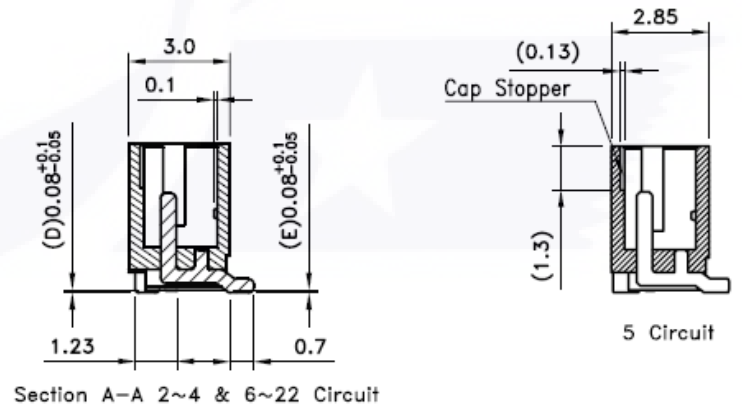
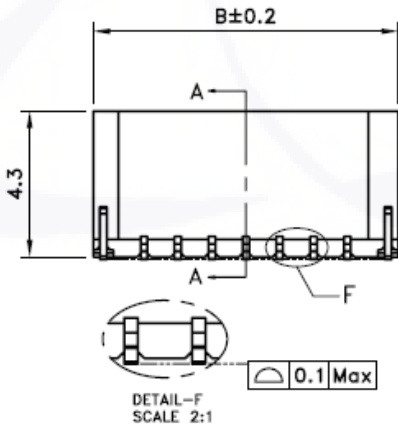
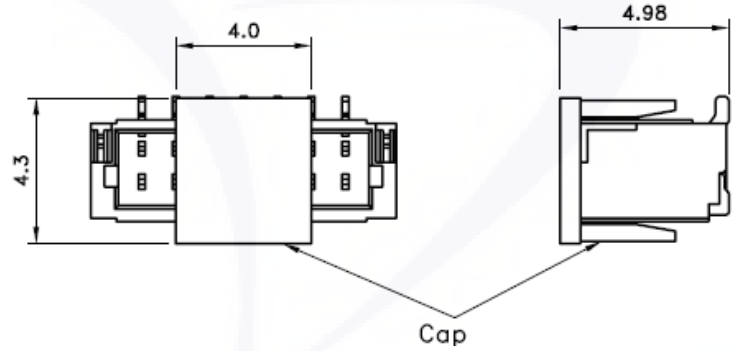
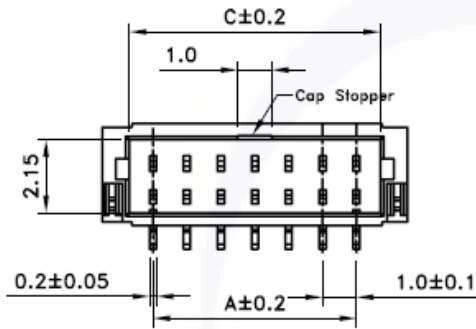
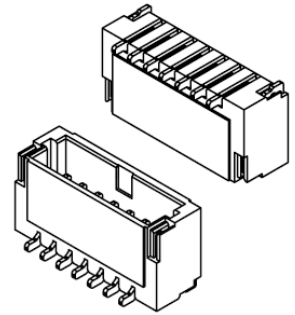
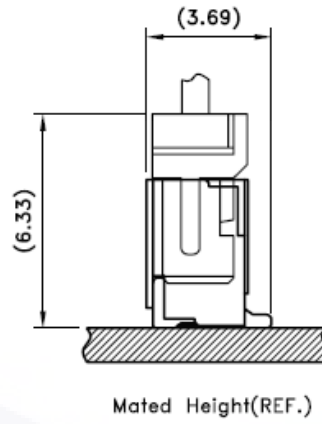
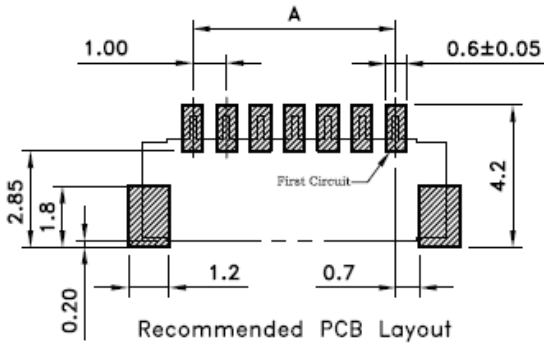
WAFER CONNECTOR, PITCH 1.00, SMT, STRAIGHT, SINGLE ROW, CRIMP STYLE

Material and Finish

Contact: Phos. Bronze
 Fitting Nail: Brass, Tin Plated
 Notch for Cap Stopper (Straight)

Electrical

Current Rating: 1A AC/DC
 Withstanding Voltage: 500V AC for 1 minute.
 Insulation Resistance: 100M ohms Min.
 Temperature Range: -25°C ~ +85°C
 Contact Resistance: 20m ohms Max.



| Poles | Dimensions (mm) | | | Poles | Dimensions (mm) | | |
|-------|-----------------|-------|-------|-------|-----------------|-------|-------|
| | A | B | C | | A | B | C |
| 2 | 1.00 | 4.00 | 2.45 | 13 | 12.00 | 15.00 | 13.45 |
| 3 | 2.00 | 5.00 | 3.45 | 14 | 13.00 | 16.00 | 14.45 |
| 4 | 3.00 | 6.00 | 4.45 | 15 | 14.00 | 17.00 | 15.45 |
| 5 | 4.00 | 7.00 | 5.45 | 16 | 15.00 | 18.00 | 16.45 |
| 6 | 5.00 | 8.00 | 6.45 | 17 | 16.00 | 19.00 | 17.45 |
| 7 | 6.00 | 9.00 | 7.45 | 18 | 17.00 | 20.00 | 18.45 |
| 8 | 7.00 | 10.00 | 8.45 | 19 | 18.00 | 21.00 | 19.45 |
| 9 | 8.00 | 11.00 | 9.45 | 20 | 19.00 | 22.00 | 20.45 |
| 10 | 9.00 | 12.00 | 10.45 | 21 | 20.00 | 23.00 | 21.45 |
| 11 | 10.00 | 13.00 | 11.45 | 22 | 21.00 | 24.00 | 22.45 |
| 12 | 11.00 | 14.00 | 12.45 | | | | |

| Series | Free Code | Pitch | Style | Plating |
|--------|-----------|------------|------------------------------|---------|
| WFC | 1- | [A] 1.00mm | [SM] 180°SMT [T0] TIN PLATED | |

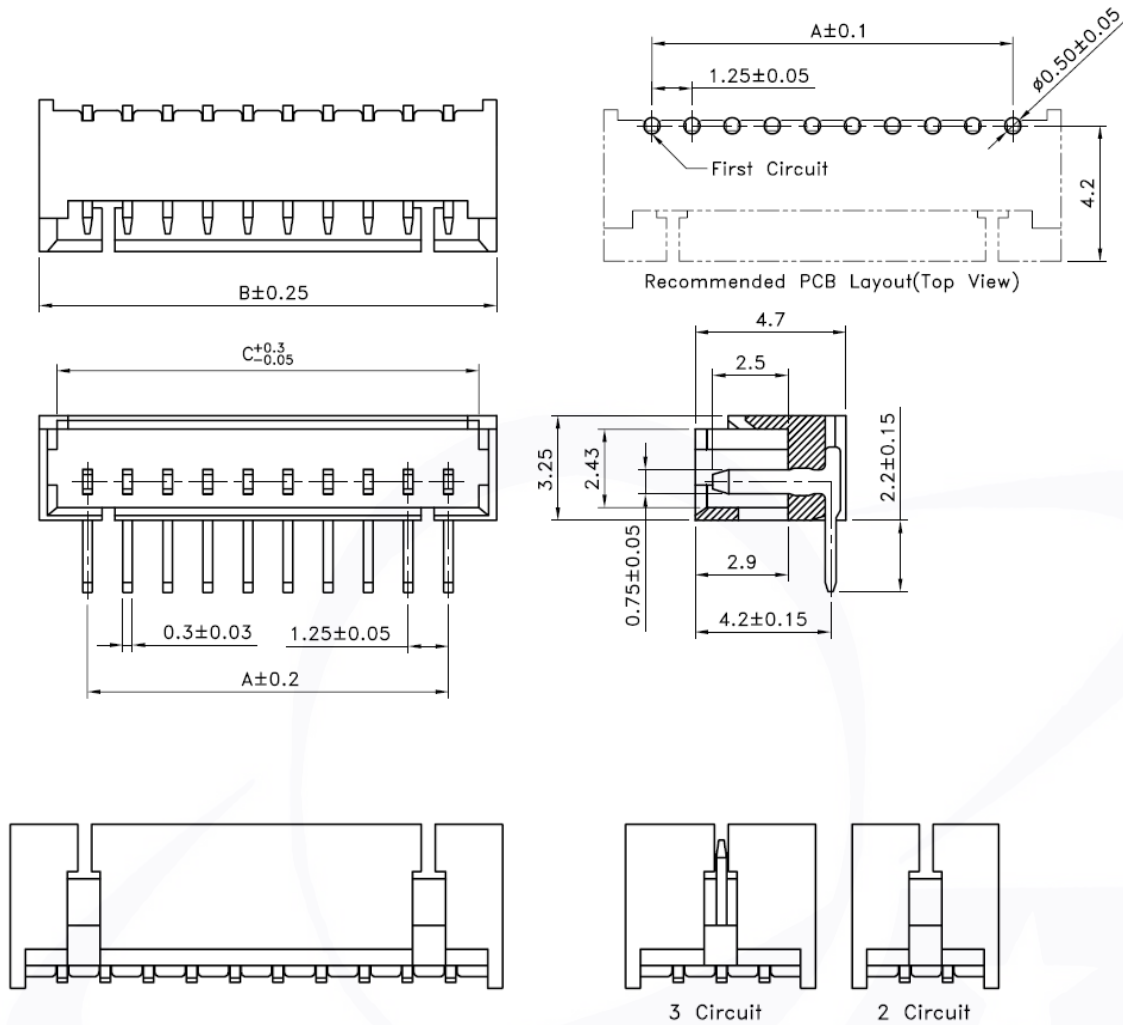
WAFER CONNECTOR, PITCH 1.25, DIP, RIGHT ANGLE, SINGLE ROW, CRIMP STYLE

Material and Finish

Contact: Brass, Tin plated
Base: Nylon PA46, UL 94V-0

Electrical

Voltage Rating: 250V AC/DC
Current Rating: 1A AC/DC
Withstanding Voltage: 250V AC RMS for 1 minute.
Insulation Resistance: 100M ohms Min.
Temperature Range: -40°C ~ +85°C
Contact Resistance: 20M ohms Max.



| Poles | Dimensions (mm) | | |
|-------|-----------------|-------|-------|
| | A | B | C |
| 2 | 1.25 | 4.25 | 3.05 |
| 3 | 2.50 | 5.50 | 4.30 |
| 4 | 3.75 | 6.75 | 5.55 |
| 5 | 5.00 | 8.00 | 6.80 |
| 6 | 6.25 | 9.25 | 8.05 |
| 7 | 7.50 | 10.50 | 9.30 |
| 8 | 8.75 | 11.75 | 10.55 |
| 9 | 10.00 | 13.00 | 11.80 |
| 10 | 11.25 | 14.25 | 13.05 |
| 11 | 12.50 | 15.50 | 14.30 |
| 12 | 13.75 | 16.75 | 15.55 |
| 13 | 15.00 | 18.00 | 16.80 |
| 14 | 16.25 | 19.25 | 18.05 |
| 15 | 17.50 | 20.50 | 19.30 |

| Series | Free Code | Pitch | Style | Row Option | No. Pins Per Row | Color | Plating | Packing | Status |
|--------|-----------|------------|-----------------------------|----------------|------------------|----------------------------------------------------------|-----------------|----------|----------|
| WFC | 1- | [B] 1.25mm | [S] 180°/DIP [R] 90°/DIP | [S] SINGLE ROW | | [1] WHITE [11] IVORY [12] BEIGE [2] TRANSPARENT | [T0] TIN PLATED | [R] REEL | [R] RoHS |

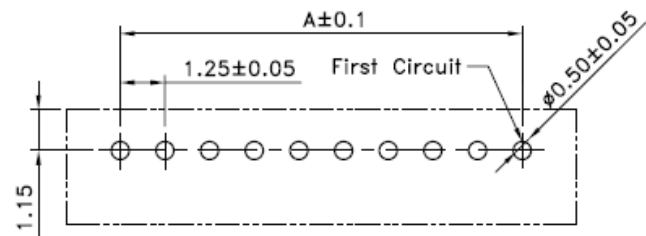
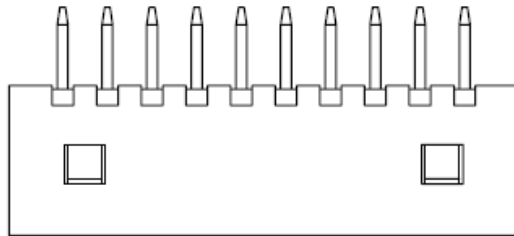
WAFER CONNECTOR, PITCH 1.25, DIP, STRAIGHT, SINGLE ROW, CRIMP STYLE

Material and Finish

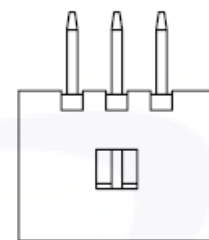
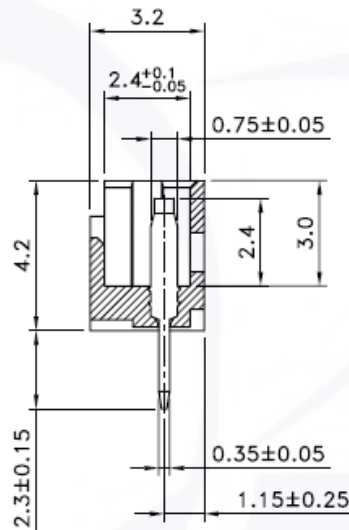
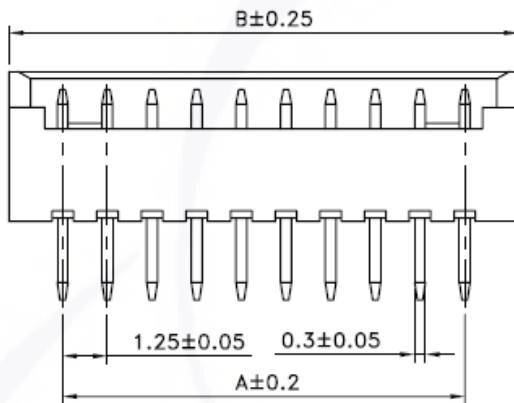
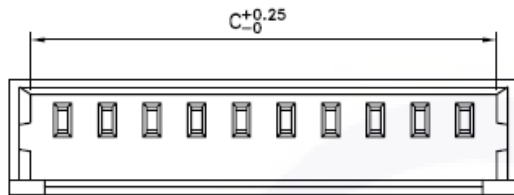
Contact: Brass, Tin plated
Base: Nylon 66, UL 94V-0

Electrical

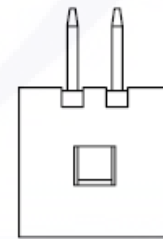
Voltage Rating: 125V AC/DC
Current Rating: 1A AC/DC
Withstanding Voltage: 250V AC RMS for 1 minute.
Insulation Resistance: 100M ohms Min.
Temperature Range: -40°C ~ +85°C
Contact Resistance: 20M ohms Max.



Recommended PCB Layout(Top View)



3 Circuit



2 Circuit

| Poles | Dimensions (mm) | | |
|-------|-----------------|-------|-------|
| | A | B | C |
| 2 | 1.25 | 4.25 | 3.05 |
| 3 | 2.50 | 5.50 | 4.30 |
| 4 | 3.75 | 6.75 | 5.55 |
| 5 | 5.00 | 8.00 | 6.80 |
| 6 | 6.25 | 9.25 | 8.05 |
| 7 | 7.50 | 10.50 | 9.30 |
| 8 | 8.75 | 11.75 | 10.55 |
| 9 | 10.00 | 13.00 | 11.80 |
| 10 | 11.25 | 14.25 | 13.05 |
| 11 | 12.50 | 15.50 | 14.30 |
| 12 | 13.75 | 16.75 | 15.55 |
| 13 | 15.00 | 18.00 | 16.80 |
| 14 | 16.25 | 19.25 | 18.05 |
| 15 | 17.50 | 20.50 | 19.30 |

| Series | Free Code | Pitch | Style | Row Option | No. Pins Per Row | Color | Plating | Packing | Status |
|--------|-----------|------------|--------------|----------------|------------------|----------------------------------------------------------|----------------|---------|----------|
| WFC | 1- | [B] 1.25mm | [S] 180°/DIP | [S] SINGLE ROW | XX | [1] WHITE [11] IVORY [12] BEIGE [2] TRANSPARENT | [T] TIN PLATED | [X] BOX | [R] RoHS |

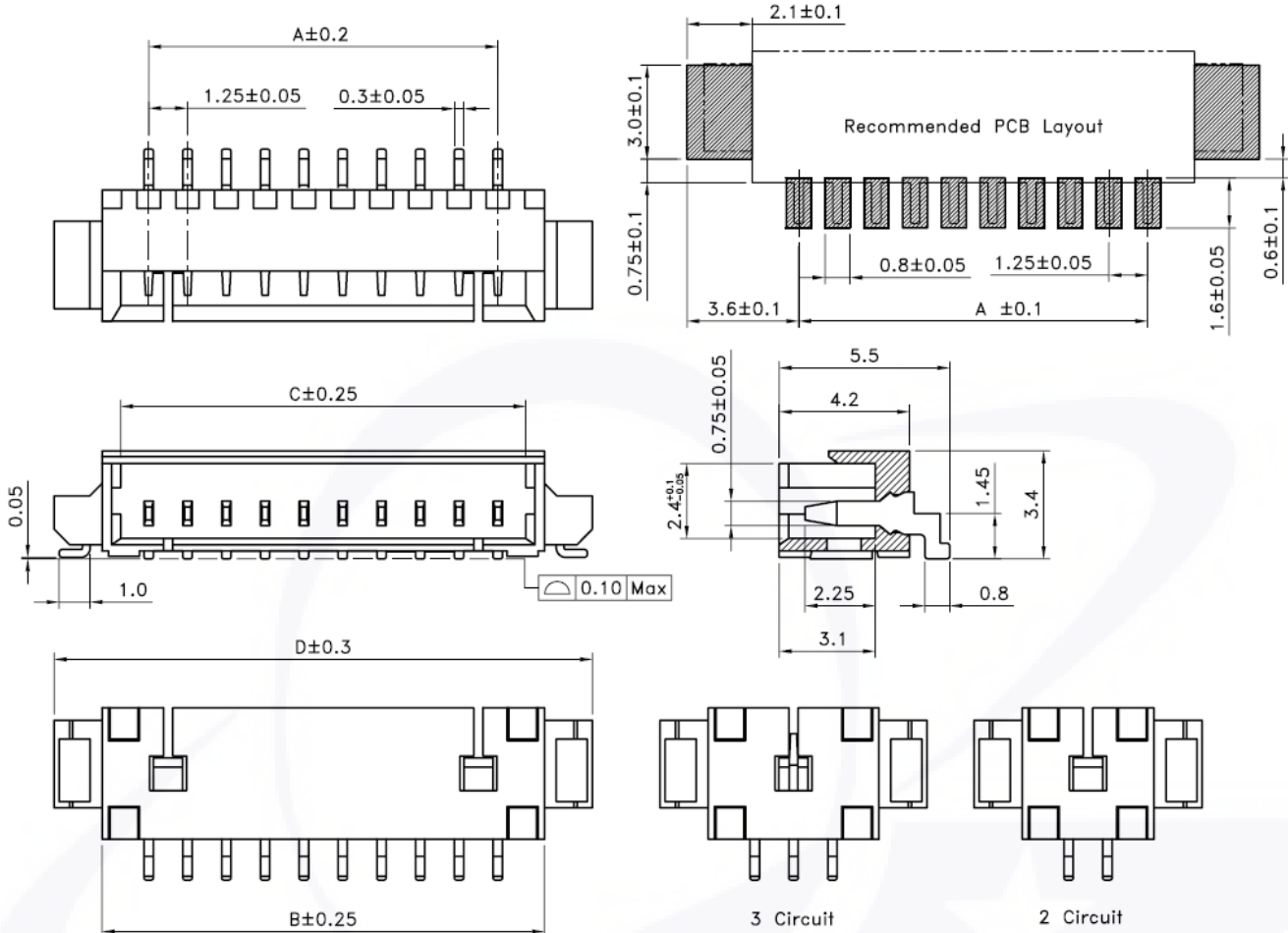
WAFER CONNECTOR, PITCH 1.25, SMT, RIGHT ANGLE, SINGLE ROW, CRIMP STYLE

Material and Finish

Contact: Brass, Tin plated
 Base: Nylon PA46, UL 94V-0
 Plating: Ni 30u" Sn 120u" over all.

Electrical

Current Rating: 1A AC/DC
 Withstanding Voltage: 250V AC RMS for 1 minute.
 Insulation Resistance: 100M ohms Min.
 Temperature Range: -45°C ~ +85°C
 Contact Resistance: 20M ohms Max.



| Poles | Dimensions (mm) | | | |
|-------|-----------------|-------|-------|-------|
| | A | B | C | D |
| 2 | 1.25 | 4.25 | 3.05 | 7.10 |
| 3 | 2.50 | 5.50 | 4.30 | 8.35 |
| 4 | 3.75 | 6.75 | 5.55 | 9.60 |
| 5 | 5.00 | 8.00 | 6.80 | 10.85 |
| 6 | 6.25 | 9.25 | 8.05 | 12.10 |
| 7 | 7.50 | 10.50 | 9.30 | 13.35 |
| 8 | 8.75 | 11.75 | 10.55 | 14.60 |
| 9 | 10.00 | 13.00 | 11.80 | 15.85 |
| 10 | 11.25 | 14.25 | 13.05 | 17.10 |
| 11 | 12.50 | 15.50 | 14.30 | 18.35 |
| 12 | 13.75 | 16.75 | 15.55 | 19.60 |
| 13 | 15.00 | 18.00 | 16.80 | 20.85 |
| 14 | 16.25 | 19.25 | 18.05 | 22.10 |
| 15 | 17.50 | 20.50 | 19.30 | 23.35 |

| Series | Free Code | Pitch | Style | Plating |
|--------|-----------|------------|--------------|-----------------|
| WFC | 1- | [B] 1.25mm | [RM] 90°/SMT | [T0] TIN PLATED |

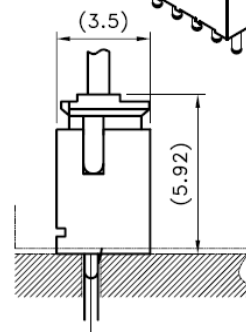
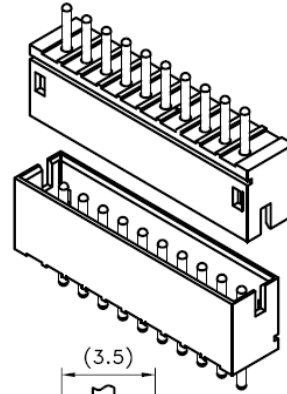
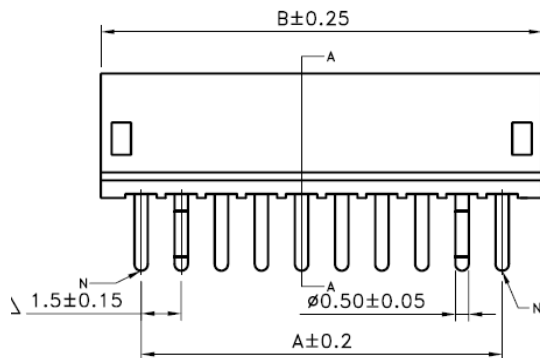
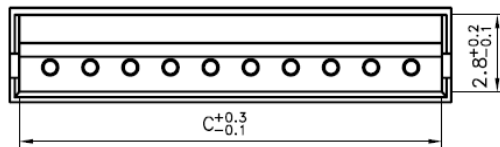
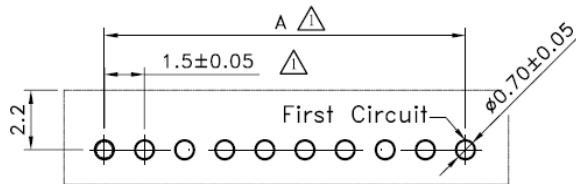
WAFER CONNECTOR, PITCH 1.50, DIP, STRAIGHT, SINGLE ROW, CRIMP STYLE

Material and Finish

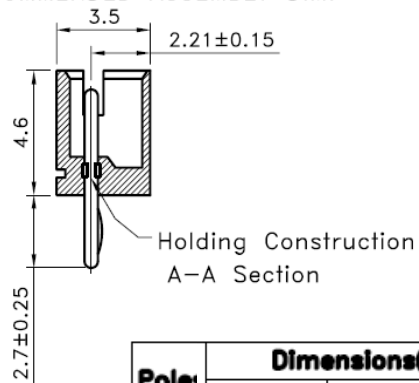
Material PAN: PA46 UL94V-0, Color Nature
 Tin Plated , Ni>30u", Sn>100u"
 Q'ty: 1,000 pcs/ Tape & Reel

Electrical

Current Rating: 1A AC/DC
 Withstanding Voltage: 500V AC/Minute
 Insulation Resistance: 500M ohms Min.
 Temperature Range: -25°C to +85°C
 Contact Resistance: 20m ohms Max.



RECOMMENDED ASSEMBLY DIM.



| Pole: | Dimensions(mm) | | |
|-------|----------------|-------|-------|
| | A | B | C |
| 2 | 1.50 | 4.50 | 3.60 |
| 3 | 3.00 | 6.00 | 5.10 |
| 4 | 4.50 | 7.50 | 6.60 |
| 5 | 6.00 | 9.00 | 8.10 |
| 6 | 7.50 | 10.50 | 9.60 |
| 7 | 9.00 | 12.00 | 11.10 |
| 8 | 10.50 | 13.50 | 12.60 |
| 9 | 12.00 | 15.00 | 14.10 |
| 10 | 13.50 | 16.50 | 15.60 |
| 11 | 15.00 | 18.00 | 17.10 |
| 12 | 16.50 | 19.50 | 18.60 |
| 13 | 18.00 | 21.00 | 20.10 |

| Series | Free Code | Pitch | Style | Plating |
|--------|-----------|------------|--------------|-----------------|
| WFC | 1- | [C] 1.50mm | [S] 180°/DIP | [T0] TIN PLATED |

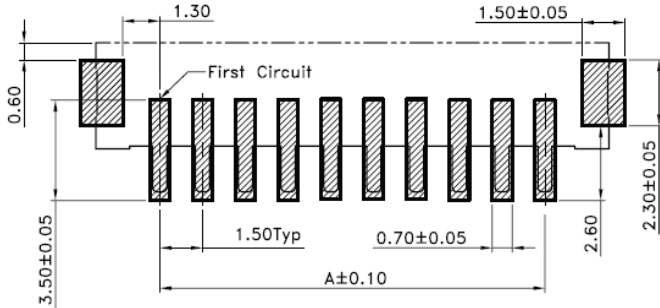
WAFER CONNECTOR, PITCH 1.50, SMT, STRAIGHT, SINGLE ROW, CRIMP STYLE

Specification

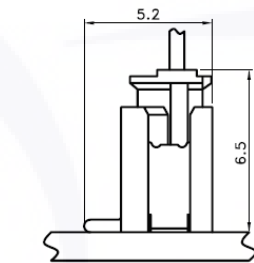
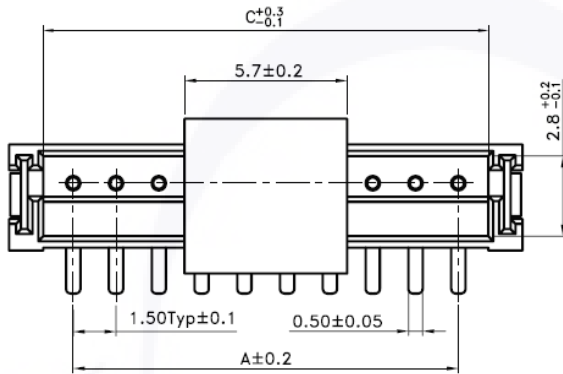
Voltage Rating: 50V AC/DC
 Current Rating: 1A AC/DC
 Withstanding Voltage: 500V AC/Minute
 Insulation Resistance: 500M ohms Min
 Temperature Range: -25°C to +85°C
 Contact Resistance: 20m ohms Max

Material

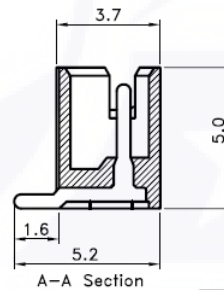
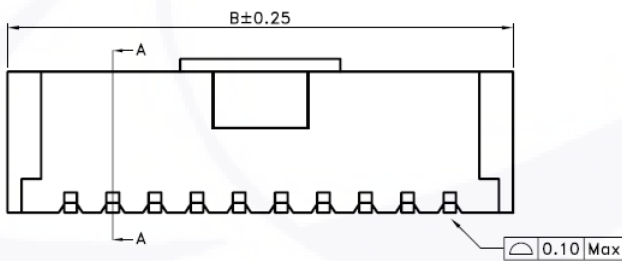
Contact: Brass, Tin plated
 Base: Nylon 9T UL94V-0
 Cap: Nylon PA46 UL94V-0
 Q'ty: 1,000 pcs./Tape & Reel



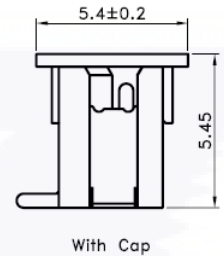
Recommended PCB Layout



Assembly Layout (REF.)



A-A Section



With Cap

| Poles | Dimensions (mm) | | |
|-------|-----------------|-------|-------|
| | A | B | C |
| 2 | 1.50 | 6.00 | 3.60 |
| 3 | 3.00 | 7.50 | 5.10 |
| 4 | 4.50 | 9.00 | 6.60 |
| 5 | 6.00 | 10.50 | 8.10 |
| 6 | 7.50 | 12.00 | 9.60 |
| 7 | 9.00 | 13.50 | 11.10 |
| 8 | 10.50 | 15.00 | 12.60 |
| 9 | 12.00 | 16.50 | 14.10 |
| 10 | 13.50 | 18.00 | 15.60 |
| 11 | 15.00 | 19.50 | 17.10 |
| 12 | 16.50 | 21.00 | 18.60 |
| 13 | 18.00 | 22.50 | 20.10 |
| 14 | 19.50 | 24.00 | 21.60 |
| 15 | 21.00 | 25.50 | 23.10 |

| Series | Free Code | Pitch | Style | Plating |
|--------|-----------|------------|---------------|-----------------|
| WFC | 1- | [D] 1.50mm | [SM] 180°/SMT | [T0] TIN PLATED |

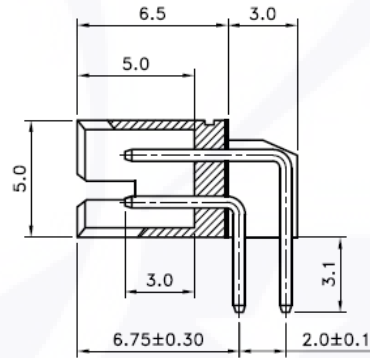
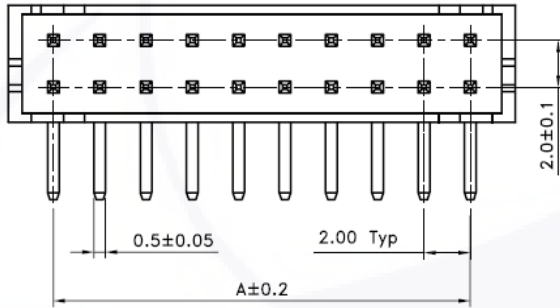
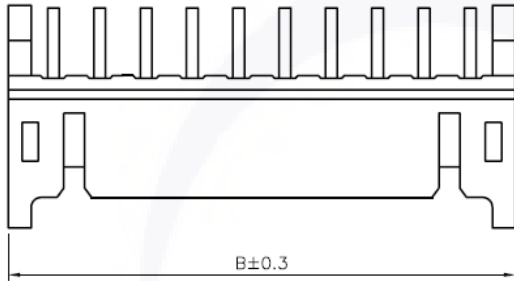
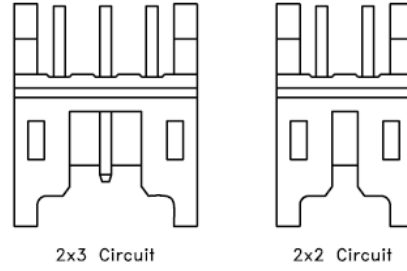
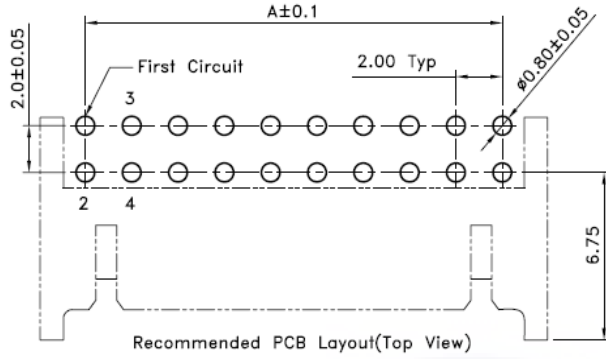
WAFER CONNECTOR, PITCH 2.00, DIP RIGHT ANGLE, DUAL ROWS, CRIMP STYLE

Material and Finish

Contact: Brass, Tin Plated.
Base: Nylon 66 UL94V-0

Electrical

Voltage Rating: 250V AC/DC
Current Rating: 3A AC/DC
Withstanding Voltage: 800V AC/Minute
Insulation Resistance: 1,000M ohms Min.
Temperature Range: -25°C to +85°C
Contact Resistance: 20m ohms Max.



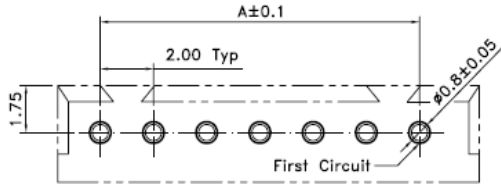
| Poles | Dimensions(mm) | |
|-------|----------------|-------|
| | A | B |
| 3x2 | 4.00 | 8.00 |
| 4x2 | 6.00 | 10.00 |
| 5x2 | 8.00 | 12.00 |
| 6x2 | 10.00 | 14.00 |
| 7x2 | 12.00 | 16.00 |
| 8x2 | 14.00 | 18.00 |
| 9x2 | 16.00 | 20.00 |
| 10x2 | 18.00 | 22.00 |
| 11x2 | 20.00 | 24.00 |
| 12x2 | 22.00 | 26.00 |
| 13x2 | 24.00 | 28.00 |
| 14x2 | 26.00 | 30.00 |
| 15x2 | 28.00 | 32.00 |
| 16x2 | 30.00 | 34.00 |

| Series | Free Code | Pitch | Style | Plating |
|--------|-----------|------------|--------------|-----------------|
| WFC | 1- | [D] 2.00mm | [R] 90°/ DIP | [T0] TIN PLATED |

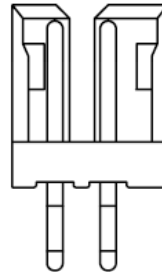
WAFER CONNECTOR, PITCH 2.00, DIP STRAIGHT, SINGLE ROW, CRIMP STYLE

Material and Finish
 Contact: Brass, Tin Plated.
 Base: Nylon 66 UL94V-0

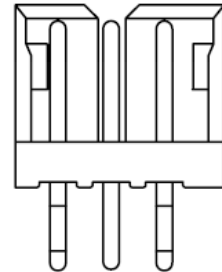
Electrical
 Voltage Rating: 125V AC/DC
 Current Rating: 2A AC/DC
 Withstanding Voltage: 800V AC/Minute
 Insulation Resistance: 1,000M ohms Min.
 Temperature Range: -25°C to +85°C
 Contact Resistance: 20m ohms Max.



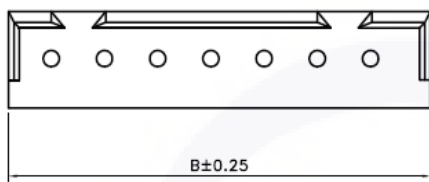
Recommend PCB Layout(Top View)



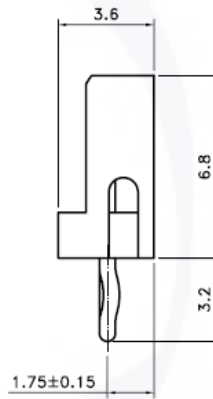
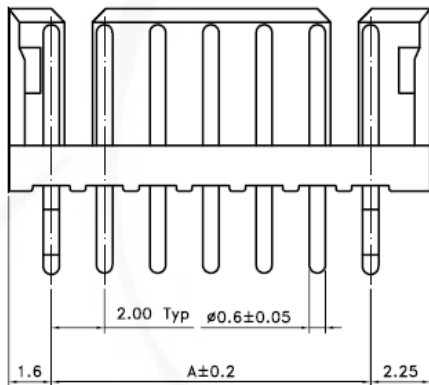
2 Circuit



3 Circuit



4~15 Circuit



| Poles | Dimensions | |
|-------|------------|-------|
| | A | B |
| 2 | 2.00 | 5.85 |
| 3 | 4.00 | 7.85 |
| 4 | 6.00 | 9.85 |
| 5 | 8.00 | 11.85 |
| 6 | 10.00 | 13.85 |
| 7 | 12.00 | 15.85 |
| 8 | 14.00 | 17.85 |
| 9 | 16.00 | 19.85 |
| 10 | 18.00 | 21.85 |
| 11 | 20.00 | 23.85 |
| 12 | 22.00 | 25.85 |
| 13 | 24.00 | 27.85 |
| 14 | 26.00 | 29.85 |
| 15 | 28.00 | 31.85 |

| Series | Free Code | Pitch | Style | Plating |
|--------|-----------|------------|--------------|-----------------|
| WFO | 1- | [D] 2.00mm | [S] 180° DIP | [T0] TIN PLATED |

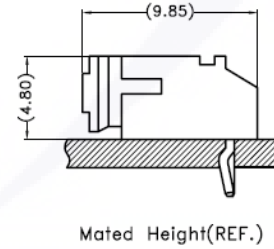
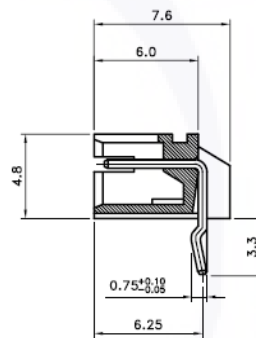
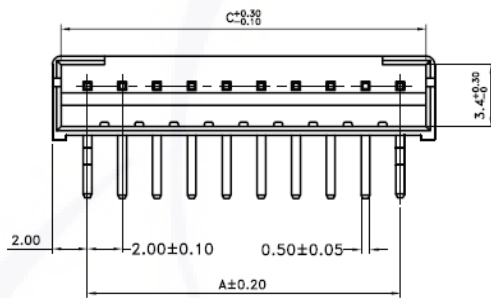
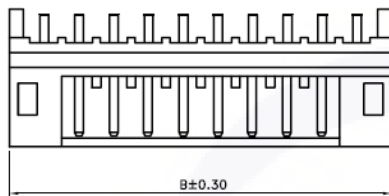
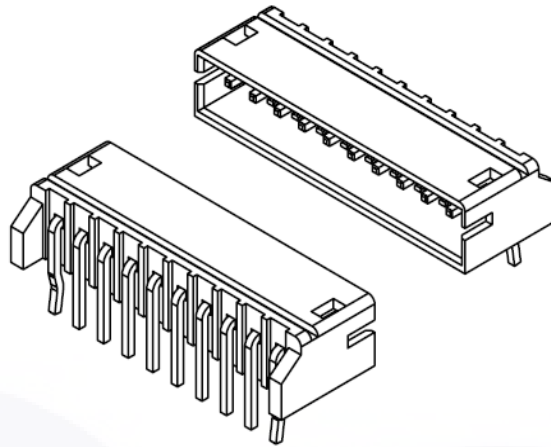
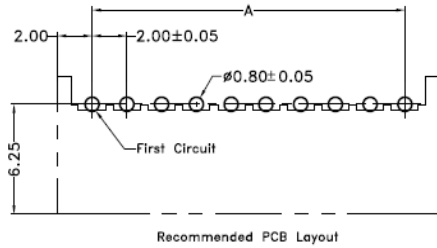
WAFER CONNECTOR, PITCH 2.00, DIP, RIGHT ANGLE, SINGLE ROW, CRIMP STYLE

Material and Finish

Contact: Brass, Tin Plated
Base: Nylon 66 UL94V-0

Electrical

Current Rating: 2A AC/DC
Withstanding Voltage: 800V AC/Minute
Insulation Resistance: 1000M ohms Min.
Temperature Range: -25°C to +85°C
Contact Resistance: 20m ohms Max.



| Poles | Dimension(mm) | | |
|-------|---------------|-------|-------|
| | A | B | C |
| 2 | 2.00 | 6.00 | 5.00 |
| 3 | 4.00 | 8.00 | 7.00 |
| 4 | 6.00 | 10.00 | 9.00 |
| 5 | 8.00 | 12.00 | 11.00 |
| 6 | 10.00 | 14.00 | 13.00 |
| 7 | 12.00 | 16.00 | 15.00 |
| 8 | 14.00 | 18.00 | 17.00 |
| 9 | 16.00 | 20.00 | 19.00 |
| 10 | 18.00 | 22.00 | 21.00 |
| 11 | 20.00 | 24.00 | 23.00 |
| 12 | 22.00 | 26.00 | 25.00 |
| 13 | 24.00 | 28.00 | 27.00 |
| 14 | 26.00 | 30.00 | 29.00 |
| 15 | 28.00 | 32.00 | 31.00 |
| 16 | 30.00 | 34.00 | 33.00 |

| Series | Free Code | Pitch | Style | Plating |
|--------|-----------|------------|-------------|-----------------|
| WFO | 1- | [D] 2.00mm | [R] 90° DIP | [T0] TIN PLATED |

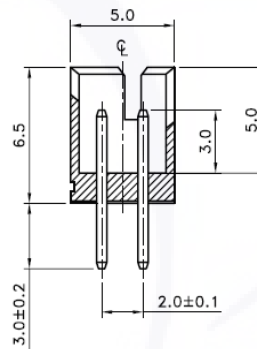
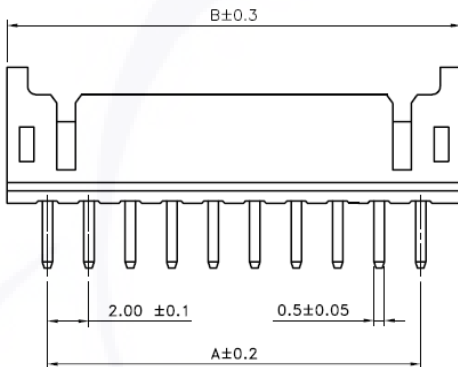
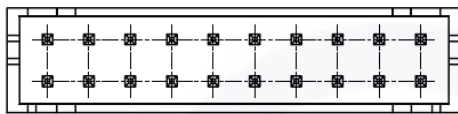
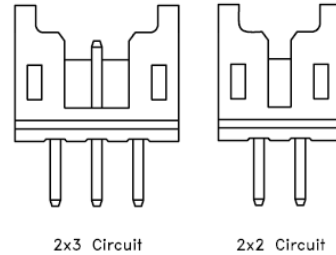
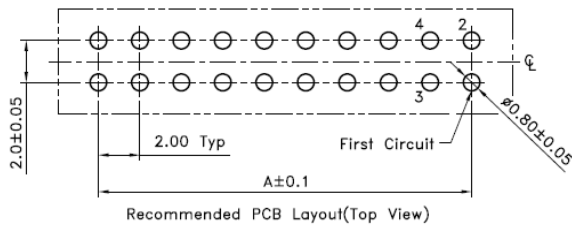
WAFER CONNECTOR, PITCH 2.00, DIP, STRAIGHT, DUAL ROWS, CRIMP STYLE

Material and Finish

Contact: Brass, Tin Plated.
Base: Nylon 66 UL94V-0

Electrical

Voltage Rating: 250V AC/DC
Current Rating: 3A AC/DC
Withstanding Voltage: 800V AC/Minute
Insulation Resistance: 1,000M ohms Min.
Temperature Range: -25°C to +85°C
Contact Resistance: 20m ohms Max.



| Poles | Dimensions(mm) | |
|-------|----------------|-------|
| | A | B |
| 2x2 | 2.00 | 6.00 |
| 3x2 | 4.00 | 8.00 |
| 4x2 | 6.00 | 10.00 |
| 5x2 | 8.00 | 12.00 |
| 6x2 | 10.00 | 14.00 |
| 7x2 | 12.00 | 16.00 |
| 8x2 | 14.00 | 18.00 |
| 9x2 | 16.00 | 20.00 |
| 10x2 | 18.00 | 22.00 |
| 11x2 | 20.00 | 24.00 |
| 12x2 | 22.00 | 26.00 |
| 13x2 | 24.00 | 28.00 |
| 14x2 | 26.00 | 30.00 |
| 15x2 | 28.00 | 32.00 |
| 16x2 | 30.00 | 34.00 |

| Series | Free Code | Pitch | Style | Plating |
|--------|-----------|------------|--------------|-----------------|
| WFC | 1- | [D] 2.00mm | [S] 180° DIP | [T0] TIN PLATED |

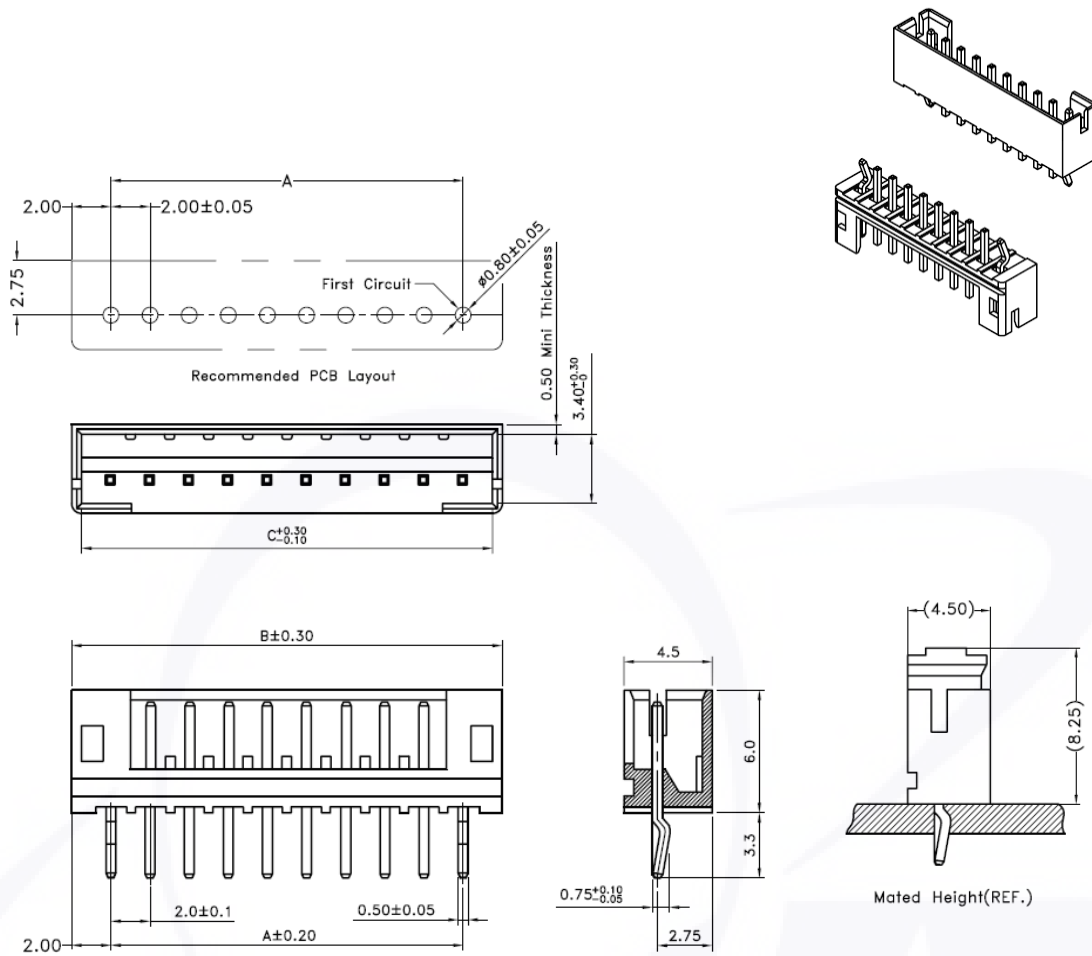
WAFER CONNECTOR, PITCH 2.00, DIP, STRAIGHT, SINGLE ROW, CRIMP STYLE

Material and Finish

Contact: Brass, Tin Plated
Base: Nylon 66 UL94V-0

Electrical

Current Rating: 2A AC/DC
Withstanding Voltage: 800V AC/Minute
Insulation Resistance: 1000M ohms Min.
Temperature Range: -25°C to +85°C
Contact Resistance: 20m ohms Max.



| Poles | Dimension(mm) | | |
|-------|---------------|-------|-------|
| | A | B | C |
| 2 | 2.00 | 6.00 | 5.00 |
| 3 | 4.00 | 8.00 | 7.00 |
| 4 | 6.00 | 10.00 | 9.00 |
| 5 | 8.00 | 12.00 | 11.00 |
| 6 | 10.00 | 14.00 | 13.00 |
| 7 | 12.00 | 16.00 | 15.00 |
| 8 | 14.00 | 18.00 | 17.00 |
| 9 | 16.00 | 20.00 | 19.00 |
| 10 | 18.00 | 22.00 | 21.00 |
| 11 | 20.00 | 24.00 | 23.00 |
| 12 | 22.00 | 26.00 | 25.00 |
| 13 | 24.00 | 28.00 | 27.00 |
| 14 | 26.00 | 30.00 | 29.00 |
| 15 | 28.00 | 32.00 | 31.00 |
| 16 | 30.00 | 34.00 | 33.00 |

| Series | Free Code | Pitch | Style | Plating |
|--------|-----------|------------|--------------|-----------------|
| WFO | 1- | [D] 2.00mm | [S] 180° DIP | [T0] TIN PLATED |

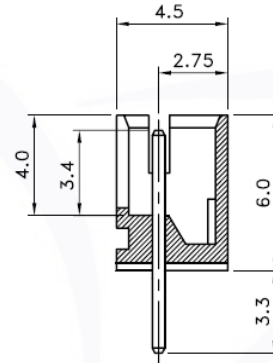
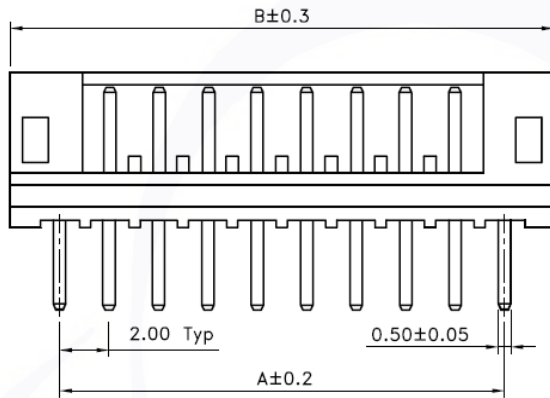
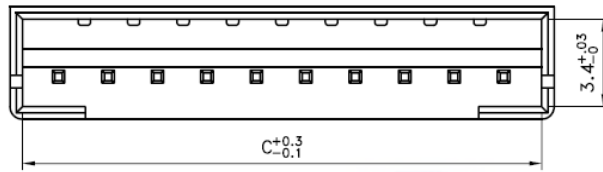
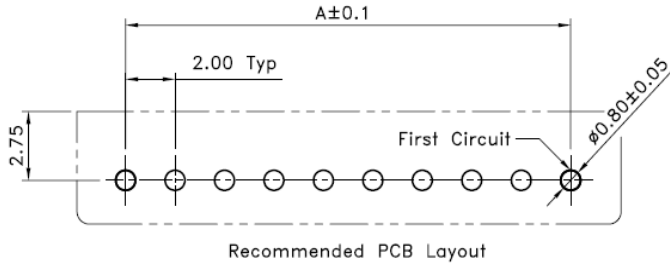
WAFER CONNECTOR, PITCH 2.00, DIP, STRIGHT, SINGLE ROW, DISCONNECTABLE CRIMP STYLE

Material and Finish

Contact: Brass, Tin plated
Base: Nylon 66, UL 94V-0

Electrical

Voltage Rating: 250V AC/DC
Current Rating: 2A AC/DC
Withstanding Voltage: 800V AC RMS for 1 minute.
Insulation Resistance: 1000M ohms Min.
Temperature Range: -25°C ~ +85°C
Contact Resistance: 20M ohms Max.



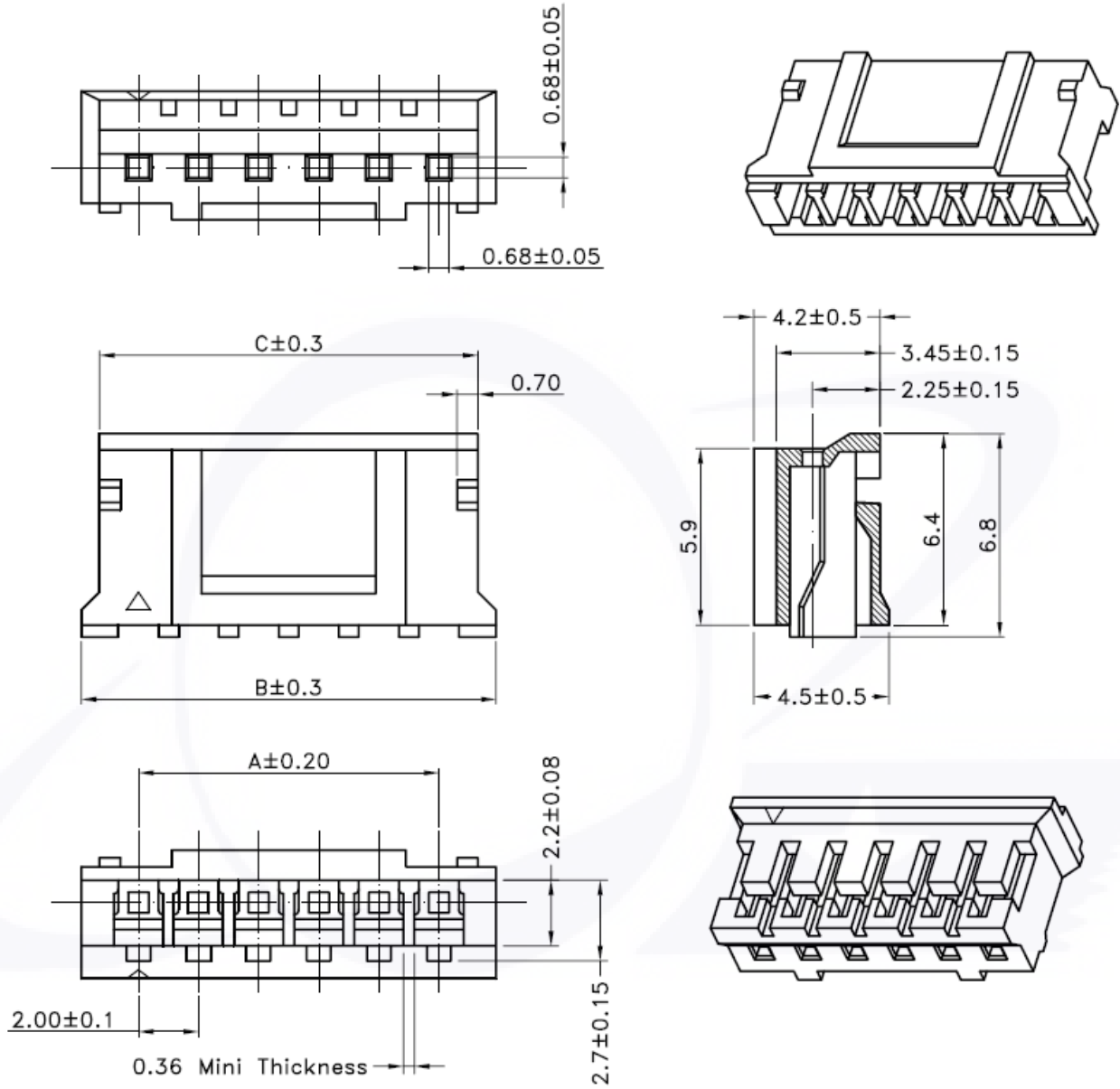
| Poles | Dimension(mm) | | |
|-------|---------------|-------|-------|
| | A | B | C |
| 2 | 2.00 | 6.00 | 5.00 |
| 3 | 4.00 | 8.00 | 7.00 |
| 4 | 6.00 | 10.00 | 9.00 |
| 5 | 8.00 | 12.00 | 11.00 |
| 6 | 10.00 | 14.00 | 13.00 |
| 7 | 12.00 | 16.00 | 15.00 |
| 8 | 14.00 | 18.00 | 17.00 |
| 9 | 16.00 | 20.00 | 19.00 |
| 10 | 18.00 | 22.00 | 21.00 |
| 11 | 20.00 | 24.00 | 23.00 |
| 12 | 22.00 | 26.00 | 25.00 |
| 13 | 24.00 | 28.00 | 27.00 |
| 14 | 26.00 | 30.00 | 29.00 |
| 15 | 28.00 | 32.00 | 31.00 |
| 16 | 30.00 | 34.00 | 33.00 |

| Series | Free Code | Pitch | Style | Row Option | No. Pins Per Row | Color | Plating | Packing | Status |
|--------|-----------|------------|-----------------------------|----------------|------------------|----------------------------------------------------------|-----------------|---------|----------|
| WFO | 1- | [D] 2.00mm | [S] 180°/DIP [R] 90°/DIP | [S] SINGLE ROW | | [1] WHITE [11] IVORY [12] BEIGE [2] TRANSPARENT | [T0] TIN PLATED | [G] BAG | [R] RoHS |

WAFER CONNECTOR, PITCH 2.00, HOUSING, CRIMP TYPE

Material
Nylon 66, UL 94V-0

Electrical
Current Rating: 2A AC/DC
Withstanding Voltage: 800V AC RMS for 1 minute.
Insulation Resistance: 1,000M ohms Min.
Temperature Range: -25°C ~ +85°C
Contact Resistance: 20m ohms Max.



| Series | Free Code | Pitch | NO. of Pins |
|--------|-----------|------------|-------------|
| WH | 1- | [D] 2.00mm | 1X_ |

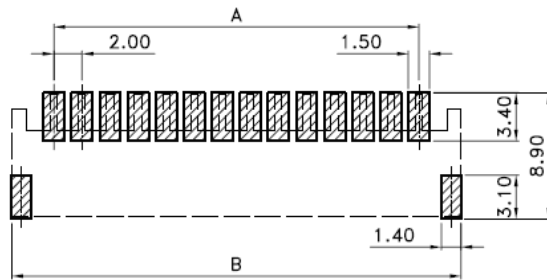
WAFER CONNECTOR, PITCH 2.00, SMT, RIGHT ANGLE, SINGLE ROW, DISCONNECTABLE CRIMP STYLE

Material and Finish

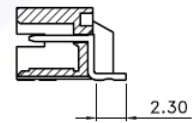
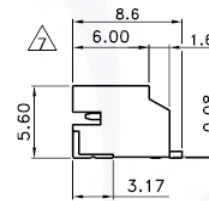
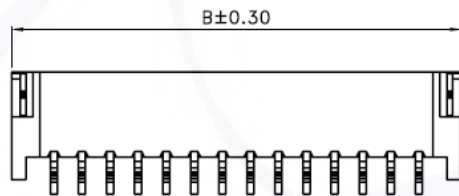
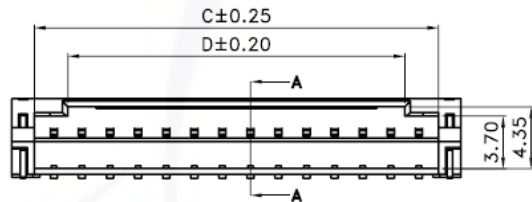
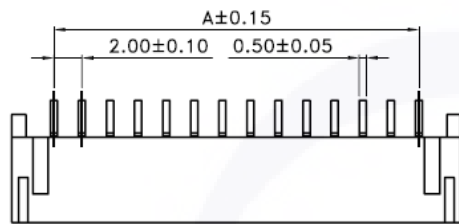
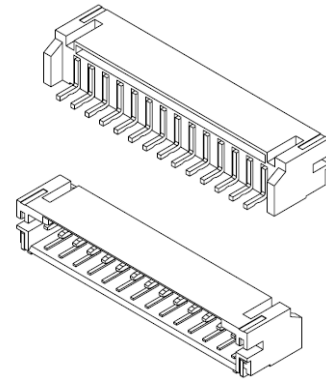
Base: High Temp. Plastic UL 94V-0
 Contact: Phos. Bronze
 Bar.: Brass
 Plated: Refer the above narrative
 Thickness: 0.2mm

Electrical

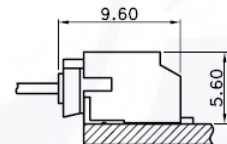
Current Rating: 3A AC/DC
 Withstanding Voltage: 500V AC for 1 minute.
 Insulation Resistance: 1000M ohms Min.
 Temperature Range: -25°C ~ +85°C
 Contact Resistance: 20M ohms Max.



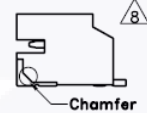
RECOMMENDED PCB LAYOUT DIM.



SECTION A-A



RECOMMENDED ASSEMBLY DIM.



Material with Halogen Free

| Poles | Dimensions(mm) | | | |
|-------|----------------|-------|-------|-------|
| | A | B | C | D |
| 2 | 2.00 | 8.00 | 4.80 | 1.00 |
| 3 | 4.00 | 10.00 | 6.80 | 2.00 |
| 4 | 6.00 | 12.00 | 8.80 | 4.00 |
| 5 | 8.00 | 14.00 | 10.80 | 6.00 |
| 6 | 10.00 | 16.00 | 12.80 | 8.00 |
| 7 | 12.00 | 18.00 | 14.80 | 10.00 |
| 8 | 14.00 | 20.00 | 16.80 | 12.00 |
| 9 | 16.00 | 22.00 | 18.80 | 14.00 |
| 10 | 18.00 | 24.00 | 20.80 | 16.00 |
| 11 | 20.00 | 26.00 | 22.80 | 18.00 |
| 12 | 22.00 | 28.00 | 24.80 | 20.00 |
| 13 | 24.00 | 30.00 | 26.80 | 22.00 |
| 14 | 26.00 | 32.00 | 28.80 | 24.00 |
| 15 | 28.00 | 34.00 | 30.80 | 26.00 |
| 16 | 30.00 | 36.00 | 32.80 | 28.00 |

| Series | Free Code | Pitch | Style | Plating |
|--------|-----------|------------|--------------|-----------------|
| WFO | 1- | [D] 2.00mm | [RM] 90°/SMT | [T0] TIN PLATED |

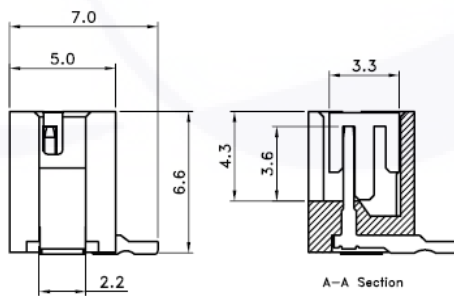
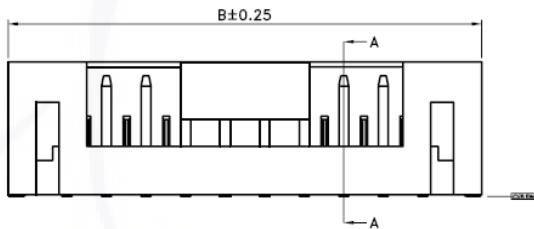
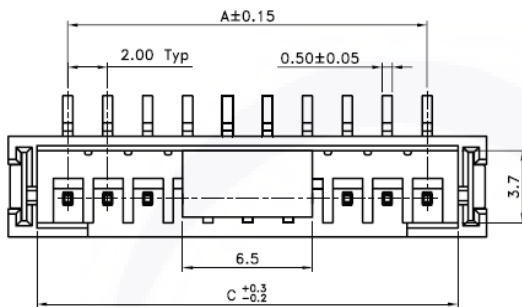
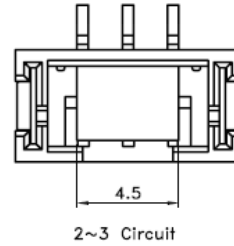
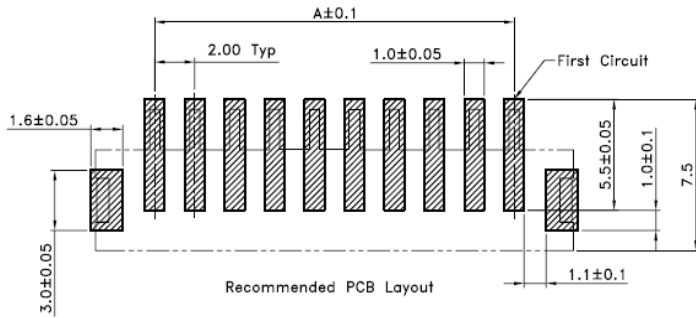
WAFER CONNECTOR, PITCH 2.00, SMT, STRAIGHT, SINGLE ROW, CRIMP STYLE

Material and Finish

Contact: Phos. Bronze, Tin Plated.
 Base: Nylon 9T UL94V-0
 Cap: Nylon PA46 UL 94V-0

Electrical

Voltage Rating: 100V AC/DC
 Current Rating: 2A AC/DC
 Withstanding Voltage: 800V AC/Minute
 Insulation Resistance: 1,000M ohms Min.
 Temperature Range: -25°C to +85°C
 Contact Resistance: 20m ohms Max.



| Poles | Dimensions(mm) | | |
|-------|----------------|-------|-------|
| | A | B | C |
| 2 | 2.00 | 8.00 | 5.00 |
| 3 | 4.00 | 10.00 | 7.00 |
| 4 | 6.00 | 12.00 | 9.00 |
| 5 | 8.00 | 14.00 | 11.00 |
| 6 | 10.00 | 16.00 | 13.00 |
| 7 | 12.00 | 18.00 | 15.00 |
| 8 | 14.00 | 20.00 | 17.00 |
| 9 | 16.00 | 22.00 | 19.00 |
| 10 | 18.00 | 24.00 | 21.00 |
| 11 | 20.00 | 26.00 | 23.00 |
| 12 | 22.00 | 28.00 | 25.00 |
| 13 | 24.00 | 30.00 | 27.00 |
| 14 | 26.00 | 32.00 | 29.00 |
| 15 | 28.00 | 34.00 | 31.00 |
| 16 | 30.00 | 36.00 | 33.00 |

| Series | Free Code | Pitch | Style | Plating |
|--------|-----------|------------|--------------------|------------|
| WFO | 1- | [D] 2.00mm | [SM] 180° SMT [T0] | TIN PLATED |

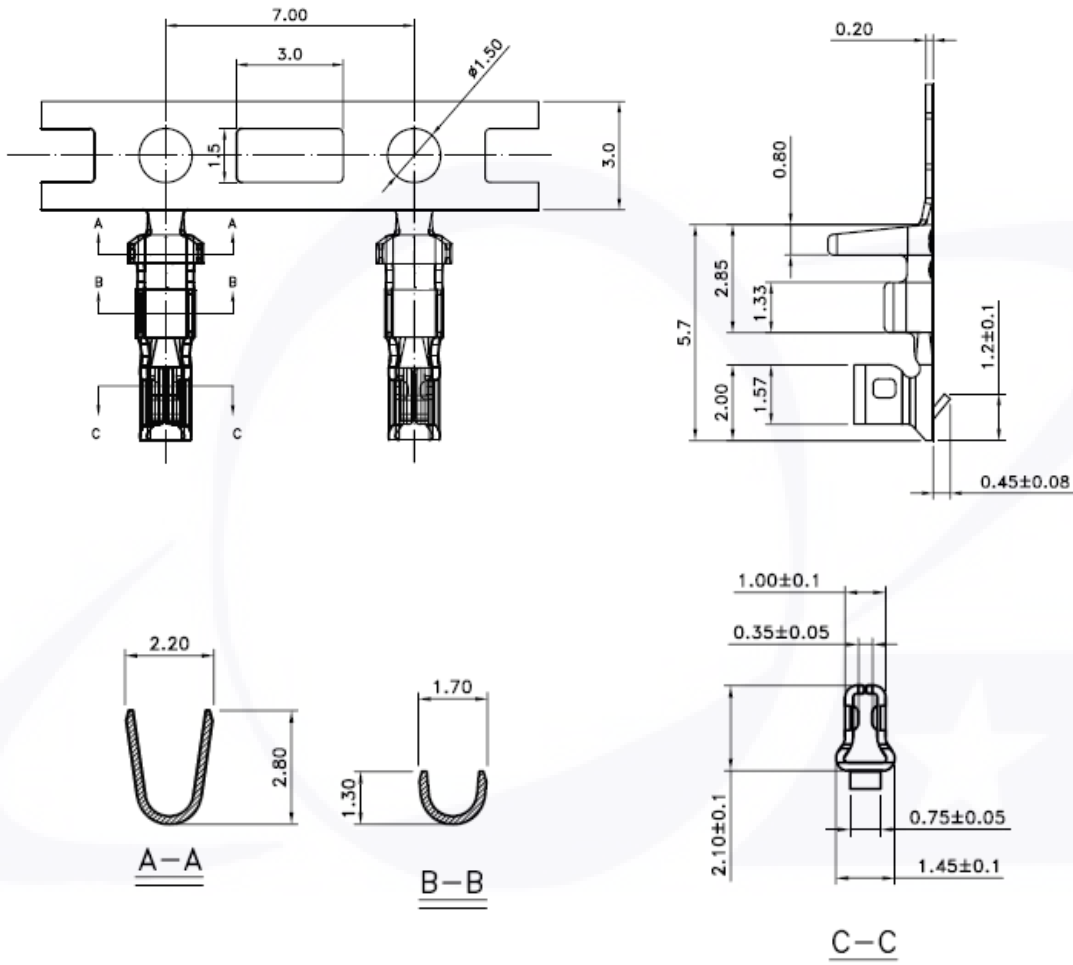
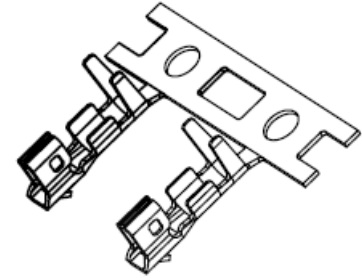
WAFER CONNECTOR, PITCH 2.00, TERMINAL, CRIMP TYPE

Terminal

Applicable Wire: AWG # 22-28
 Material: Phos. Bronze
 Finish: Tin Plated, Gold Plated
 Thickness: 0.2mm

Electrical

Current Rating: 2A AC/DC
 Withstanding Voltage: 800V AC RMS for 1 minute.
 Insulation Resistance: 1,000M ohms Min.
 Temperature Range: -25°C ~ +85°C
 Contact Resistance: 20m ohms Max.



| Series | Free Code | Pitch | NO. of Pins | Plated |
|--------|-----------|------------|-------------|-------------------------------------|
| WH | 1- | [D] 2.00mm | 1X_ | [T0] Tin Plated [G0] Gold Plated |

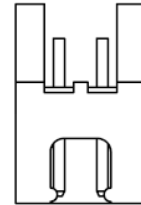
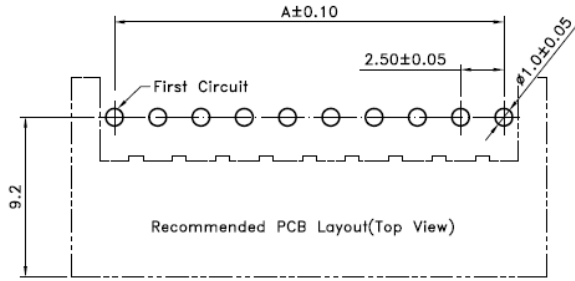
WAFER CONNECTOR, PITCH 2.50, DIP, RIGHT ANGLE, SINGLE ROW, DISCONNECTABLE CRIMP STYLE

Material and Finish

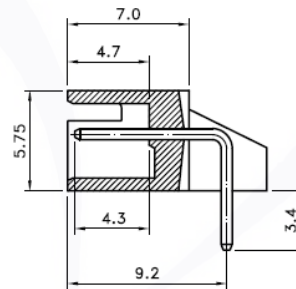
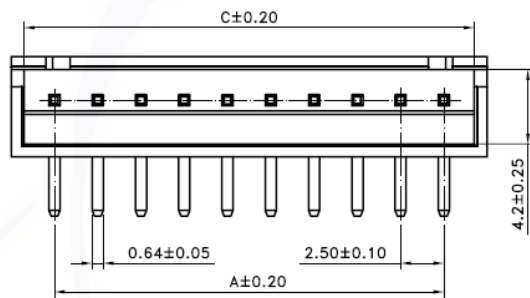
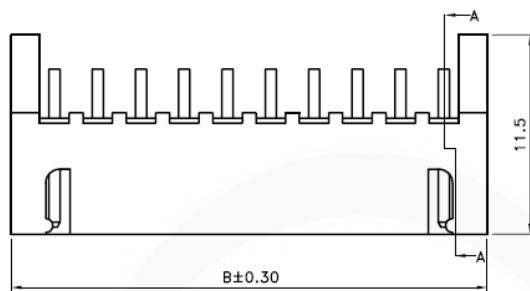
Contact: Brass, Sn 120u" over plated, Nickel 30u" under all over
 Base: Nylon 66, UL 94V-0

Electrical

Voltage Rating: 250V AC/DC
 Current Rating: 3A AC/DC
 Withstanding Voltage: 1000V AC RMS for 1 minute.
 Insulation Resistance: 1000M ohms Min.
 Temperature Range: -25°C ~ +85°C
 Contact Resistance: 20M ohms Max.



2 Circuit



A-A Section

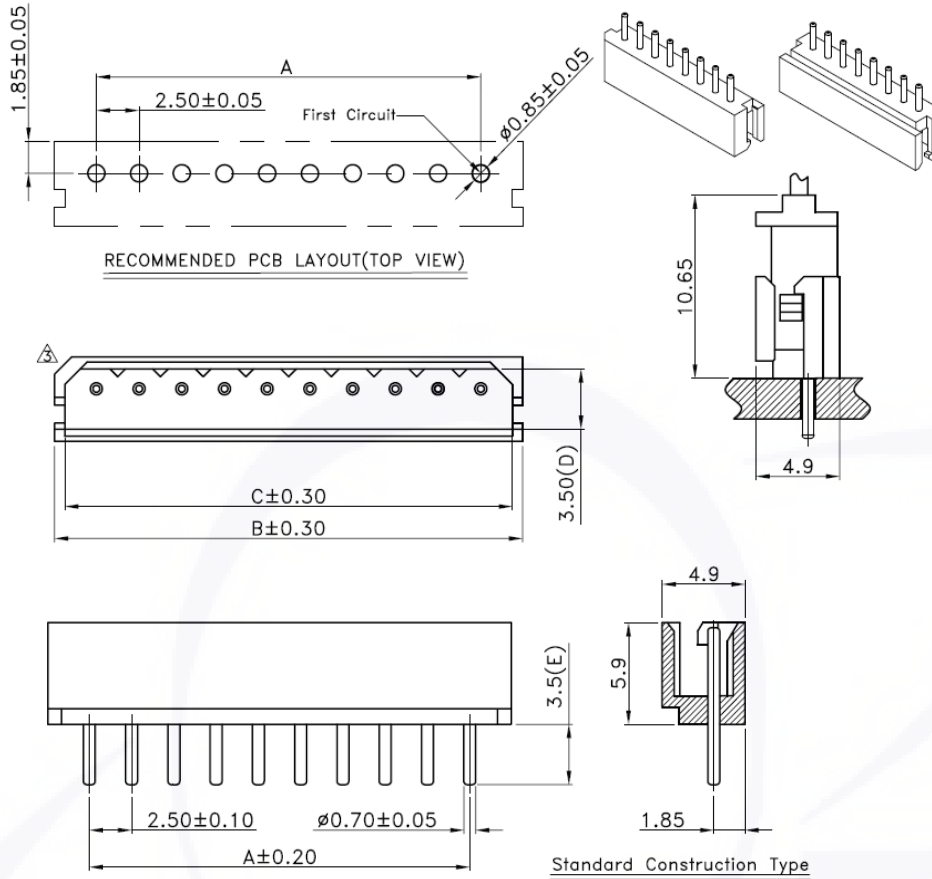
| Poles | Dimension(mm) | | |
|-------|---------------|-------|-------|
| | A | B | C |
| 2 | 2.50 | 7.50 | 6.00 |
| 3 | 5.00 | 10.00 | 8.50 |
| 4 | 7.50 | 12.50 | 11.00 |
| 5 | 10.00 | 15.00 | 13.50 |
| 6 | 12.50 | 17.50 | 16.00 |
| 7 | 15.00 | 20.00 | 18.50 |
| 8 | 17.50 | 22.50 | 21.00 |
| 9 | 20.00 | 25.00 | 23.50 |
| 10 | 22.50 | 27.50 | 26.00 |
| 11 | 25.00 | 30.00 | 28.50 |
| 12 | 27.50 | 32.50 | 31.00 |
| 13 | 30.00 | 35.00 | 33.50 |
| 14 | 32.50 | 37.50 | 36.00 |
| 15 | 35.00 | 40.00 | 38.50 |
| 16 | 37.50 | 42.50 | 41.00 |
| 17 | 40.00 | 45.00 | 43.50 |
| 18 | 42.50 | 47.50 | 46.00 |
| 19 | 45.00 | 50.00 | 48.50 |
| 20 | 47.50 | 52.50 | 51.00 |

| Series | Free Code | Pitch | Style | Row Option | No. Pins Per Row | Color | Plating | Packing | Status |
|--------|-----------|------------|-----------------------------|----------------|------------------|----------------------------------------------------------|-----------------|---------|----------|
| WFC | 1- | [E] 2.50mm | [S] 180°/DIP [R] 90°/DIP | [S] SINGLE ROW | | [1] WHITE [11] IVORY [12] BEIGE [2] TRANSPARENT | [T0] TIN PLATED | [G] BAG | [R] RoHS |

WAFER CONNECTOR, PITCH 2.50, DIP, STRAIGHT, SINGLE ROW, CRIMP TYPE
Material and Finish

 Contact: Brass, Tin plated
 Base: Nylon 66, UL 94V-0

Electrical

 Current Rating: 3A AC/DC
 Withstanding Voltage: 1,000V AC RMS for 1 minute.
 Insulation Resistance: 1,000M ohms Min.
 Temperature Range: -25°C ~ +85°C
 Contact Resistance: 20m ohms Max.


Standard Construction Type

Holding Construction Type

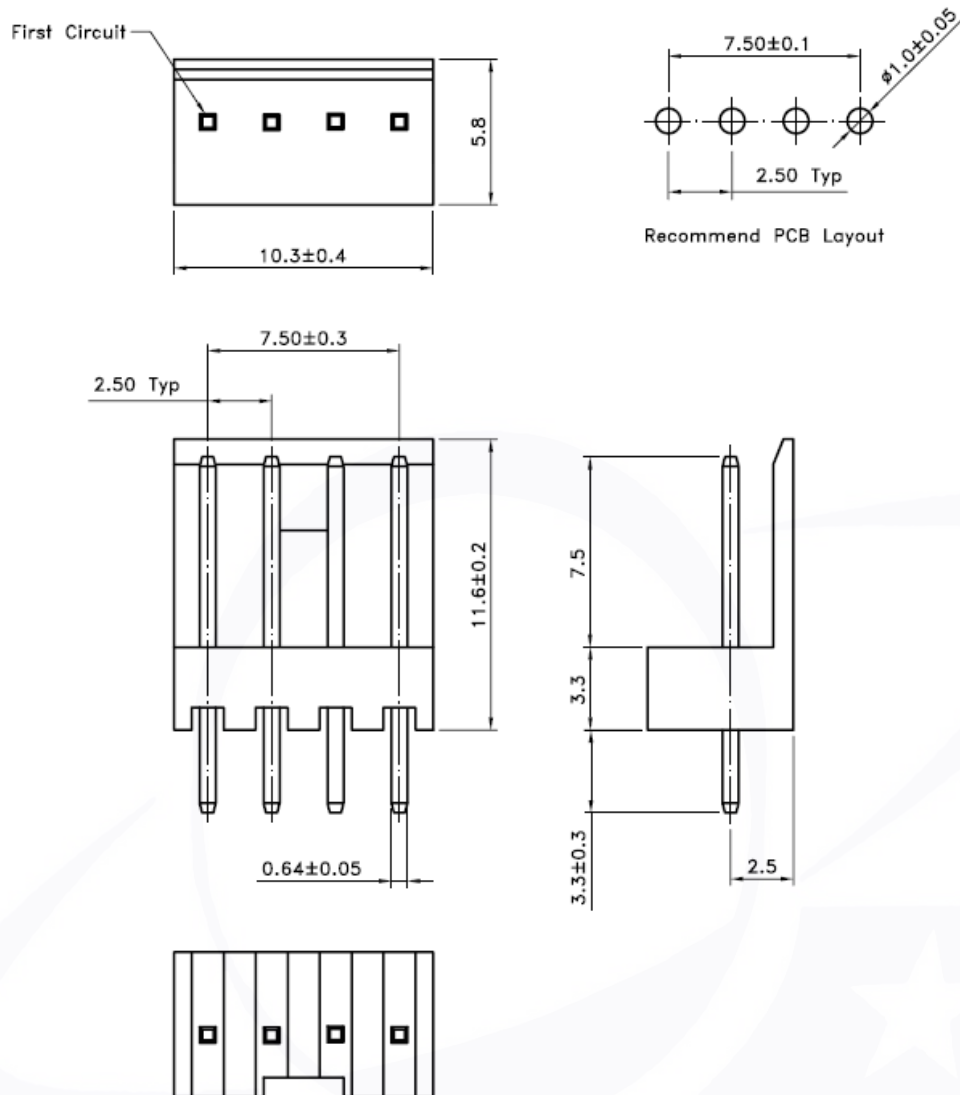
| Poles | Dimensions (mm) | | |
|-------|-----------------|-------|-------|
| | A | B | C |
| 2 | 2.50 | 7.50 | 6.00 |
| 3 | 5.00 | 10.00 | 8.50 |
| 4 | 7.50 | 12.50 | 11.00 |
| 5 | 10.00 | 15.00 | 13.50 |
| 6 | 12.50 | 17.50 | 16.00 |
| 7 | 15.00 | 20.00 | 18.50 |
| 8 | 17.50 | 22.50 | 21.00 |
| 9 | 20.00 | 25.00 | 23.50 |
| 10 | 22.50 | 27.50 | 26.00 |
| 11 | 25.00 | 30.00 | 28.50 |
| 12 | 27.50 | 32.50 | 31.00 |
| 13 | 30.00 | 35.00 | 33.50 |
| 14 | 32.50 | 37.50 | 36.00 |
| 15 | 35.00 | 40.50 | 38.50 |

| Series | Free Code | Pitch | Style | Plating |
|--------|-----------|------------|-------------|-----------------|
| WFC | 1- | [E] 2.50mm | [S] 180°DIP | [T0] TIN PLATED |

WAFER CONNECTOR, PITCH 2.50, DIP, STRAIGHT, SINGLE ROW, FOR DISK DRIVER
Material and Finish

 Contact: Brass, Tin plated
 Base: Nylon 66, UL 94V-0

Electrical

 Voltage Rating: 250V AC/DC
 Current Rating: 3A AC/DC
 Withstanding Voltage: 800V AC RMS for 1 minute.
 Insulation Resistance: 1000M ohms Min.
 Temperature Range: -25°C ~ +85°C
 Contact Resistance: 20M ohms Max.


| Series | Free Code | Pitch | Style | Row Option | No. Pins Per Row | Color | Plating | Packing | Status |
|--------|-----------|------------|-----------------------------|----------------|------------------|----------------------------------------------------------|-----------------|---------|----------|
| WF | 1- | [E] 2.50mm | [S] 180°/DIP [R] 90°/DIP | [S] SINGLE ROW | 4 | [1] WHITE [11] IVORY [12] BEIGE [2] TRANSPARENT | [T0] TIN PLATED | [1] BAG | [R] RoHS |

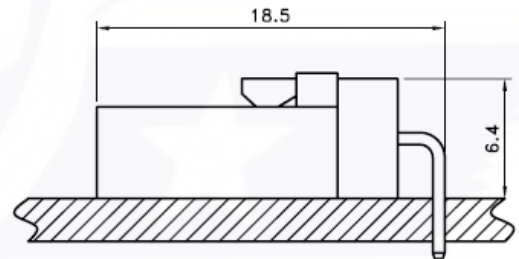
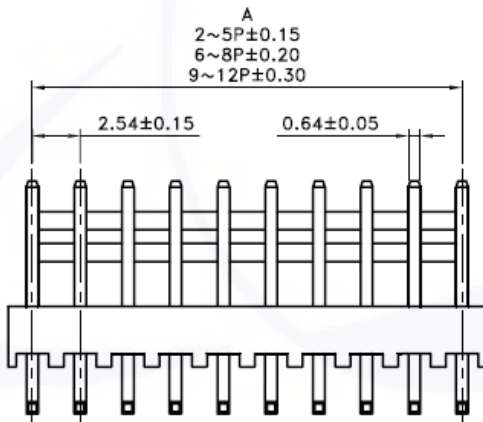
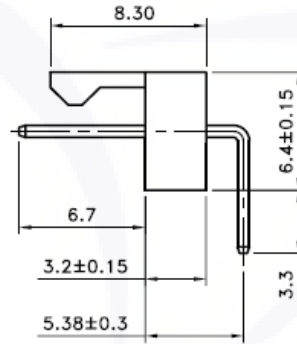
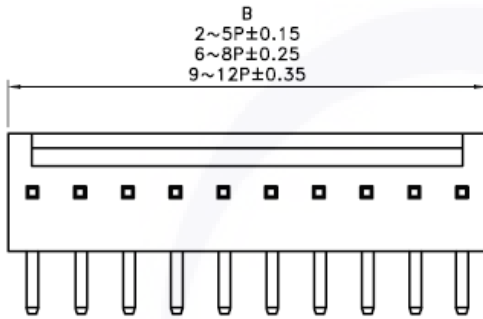
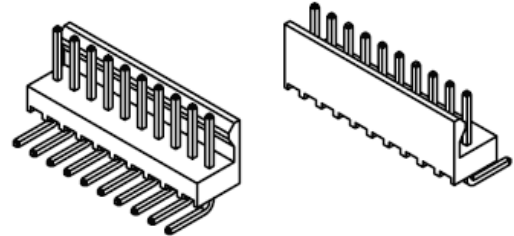
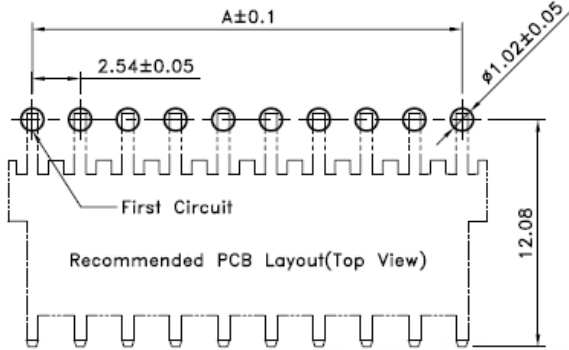
WAFER CONNECTOR, PITCH 2.54, DIP, RIGHT ANGLE, SINGLE ROW, CRIMP STYLE

Material and Finish

Contact: Brass, Tin Plated
 Base: Nylon 66 UL94V-0; Color: Brick Red

Electrical

Voltage Rating: 125V AC/DC
 Current Rating: 3A AC/DC
 Withstanding Voltage: 1,000V AC/Minute
 Insulation Resistance: 1000M ohms Min.
 Temperature Range: -25°C to +85°C
 Contact Resistance: 20m ohms Max.



Assembly Layout (REF.)

| Poles | Dimensions(mm) | |
|-------|----------------|-------|
| | A | B |
| 2 | 2.54 | 5.10 |
| 3 | 5.08 | 7.68 |
| 4 | 7.62 | 10.24 |
| 5 | 10.16 | 12.78 |
| 6 | 12.70 | 15.24 |
| 7 | 15.24 | 17.88 |
| 8 | 17.78 | 20.44 |
| 9 | 20.32 | 23.00 |
| 10 | 22.86 | 25.54 |
| 11 | 25.40 | 28.10 |
| 12 | 27.94 | 30.64 |

| Series | Free Code | Pitch | Style | Plating |
|--------|-----------|------------|-------------|-----------------|
| WF | 1- | [F] 2.54mm | [R] 90° DIP | [T0] TIN PLATED |

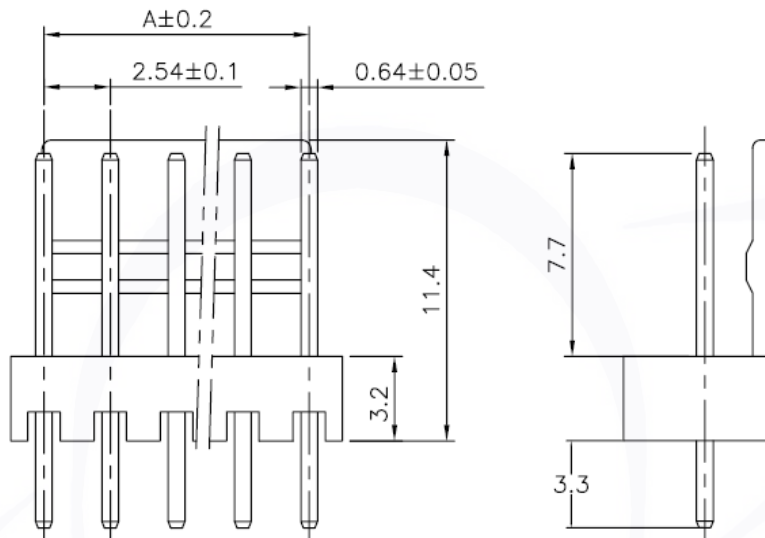
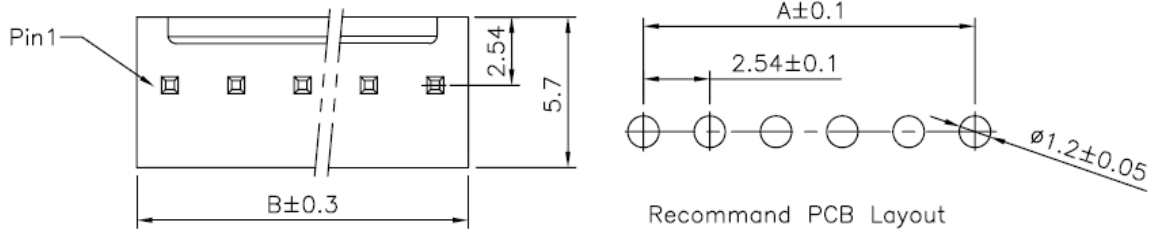
WAFER CONNECTOR, PITCH 2.54, DIP, STRAIGHT, SINGLE ROW, CRIMP STYLE

Material and Finish

Contact: Brass, Tin Plated
Base: Nylon 66, UL 94V-2

Electrical

Voltage Rating: 250V AC/DC
Current Rating: 3A AC/DC
Withstanding Voltage: 1000V AC RMS for 1 minute.
Insulation Resistance: 1000M ohms Min.
Temperature Range: -25°C ~ +85°C
Contact Resistance: 20M ohms Max.



| Poles | Dimensions(mm) | |
|-------|----------------|-------|
| | A | B |
| 2 | 2.54 | 5.08 |
| 3 | 5.08 | 7.62 |
| 4 | 7.62 | 10.16 |
| 5 | 10.16 | 12.70 |
| 6 | 12.70 | 15.24 |
| 7 | 15.24 | 17.78 |
| 8 | 17.78 | 20.32 |
| 9 | 20.32 | 22.86 |
| 10 | 22.86 | 25.40 |
| 11 | 25.40 | 27.94 |
| 12 | 27.94 | 30.48 |
| 13 | 30.48 | 33.02 |
| 14 | 33.02 | 35.56 |
| 15 | 35.56 | 38.10 |

| Series | Free Code | Pitch | Style | Row Option | No. Pins Per Row | Color | Plating | Packing | Status |
|--------|-----------|------------|-----------------------------|----------------|------------------|----------------------------------------------------------|-----------------|---------|----------|
| WF- | 1- | [F] 2.54mm | [S] 180°/DIP [R] 90°/DIP | [S] SINGLE ROW | | [1] WHITE [11] IVORY [12] BEIGE [2] TRANSPARENT | [T0] TIN PLATED | [G] BAG | [R] RoHS |

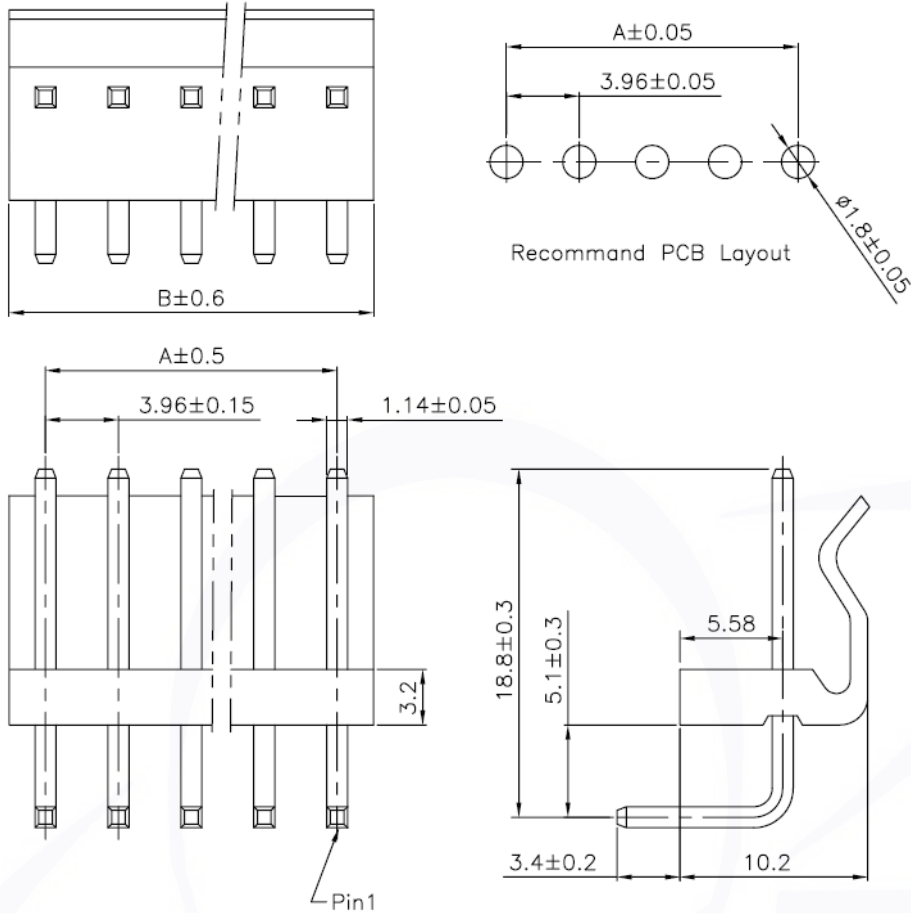
WAFER CONNECTOR, PITCH 3.96, DIP, RIGHT ANGLE, SINGLE ROW, CRIMP STYLE

Material and Finish

Contact: Brass, Tin plated
Base: Nylon PA66, UL 94V-2

Electrical

Voltage Rating: 250V AC/DC
Current Rating: 7A AC/DC
Withstanding Voltage: 1500V AC RMS for 1 minute.
Insulation Resistance: 1000M ohms Min.
Temperature Range: -25°C ~ +85°C
Contact Resistance: 20M ohms Max.



| Poles | Dimensions (mm) | |
|-------|-----------------|-------|
| | A | B |
| 2 | 3.96 | 7.92 |
| 3 | 7.92 | 11.88 |
| 4 | 11.88 | 15.84 |
| 5 | 15.84 | 19.80 |
| 6 | 19.80 | 23.76 |
| 7 | 23.76 | 27.72 |
| 8 | 27.72 | 31.68 |
| 9 | 31.68 | 35.64 |
| 10 | 35.64 | 39.60 |
| 11 | 39.60 | 43.56 |
| 12 | 43.56 | 47.52 |
| 13 | 47.52 | 51.48 |
| 14 | 51.48 | 55.44 |

| Series | Free Code | Pitch | Style | Row Option | No. Pins Per Row | Color | Plating | Packing | Status |
|--------|-----------|------------|-----------------------------|----------------|------------------|----------------------------------------------------------|-----------------|---------|----------|
| WF | 1- | [G] 3.96mm | [S] 180°/DIP [R] 90°/DIP | [S] SINGLE ROW | | [1] WHITE [11] IVORY [12] BEIGE [2] TRANSPARENT | [T0] TIN PLATED | [G] BAG | [R] RoHS |

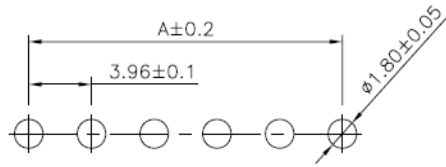
WAFER CONNECTOR, PITCH 3.96, DIP, STRAIGHT, SINGLE ROW, CRIMP STYLE

Material and Finish

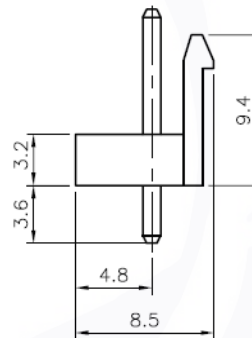
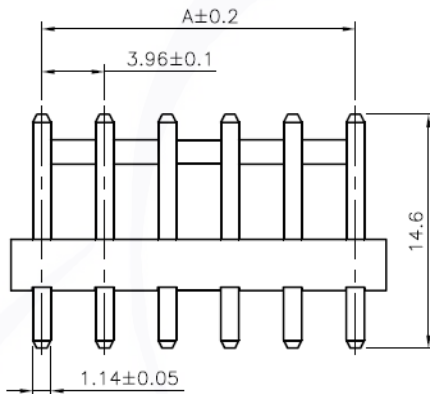
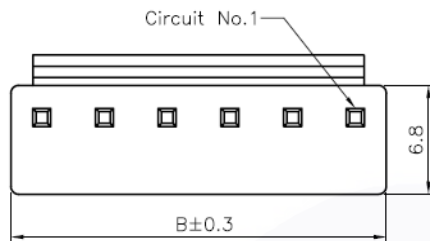
Contact: Brass, Tin Plated
Base: Nylon 66, UL 94V-0

Electrical

Voltage Rating: 250V AC/DC
Current Rating: 7A AC/DC
Withstanding Voltage: 1500V AC RMS for 1 minute.
Insulation Resistance: 1000M ohms Min.
Temperature Range: -25°C ~ +85°C
Contact Resistance: 20M ohms Max.



Recommend PCB Layout



| Poles | Dimension(mm) | |
|-------|---------------|-------|
| | A | B |
| 2 | 3.96 | 7.86 |
| 3 | 7.92 | 11.82 |
| 4 | 11.88 | 15.78 |
| 5 | 15.84 | 19.74 |
| 6 | 19.80 | 23.70 |
| 7 | 23.76 | 27.66 |
| 8 | 27.72 | 31.62 |
| 9 | 31.68 | 35.58 |
| 10 | 35.64 | 39.54 |
| 11 | 39.60 | 43.50 |
| 12 | 43.56 | 47.46 |
| 13 | 47.52 | 51.42 |
| 14 | 51.48 | 55.38 |
| 15 | 55.44 | 59.34 |

| Series | Free Code | Pitch | Style | Row Option | No. Pins Per Row | Color | Plating | Packing | Status |
|--------|-----------|------------|-----------------------------|----------------|------------------|----------------------------------------------------------|-----------------|---------|----------|
| WF- | 1- | [G] 3.96mm | [S] 180°/DIP [R] 90°/DIP | [S] SINGLE ROW | | [1] WHITE [11] IVORY [12] BEIGE [2] TRANSPARENT | [T0] TIN PLATED | [G] BAG | [R] RoHS |

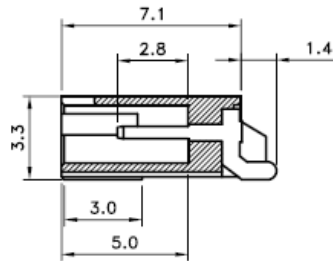
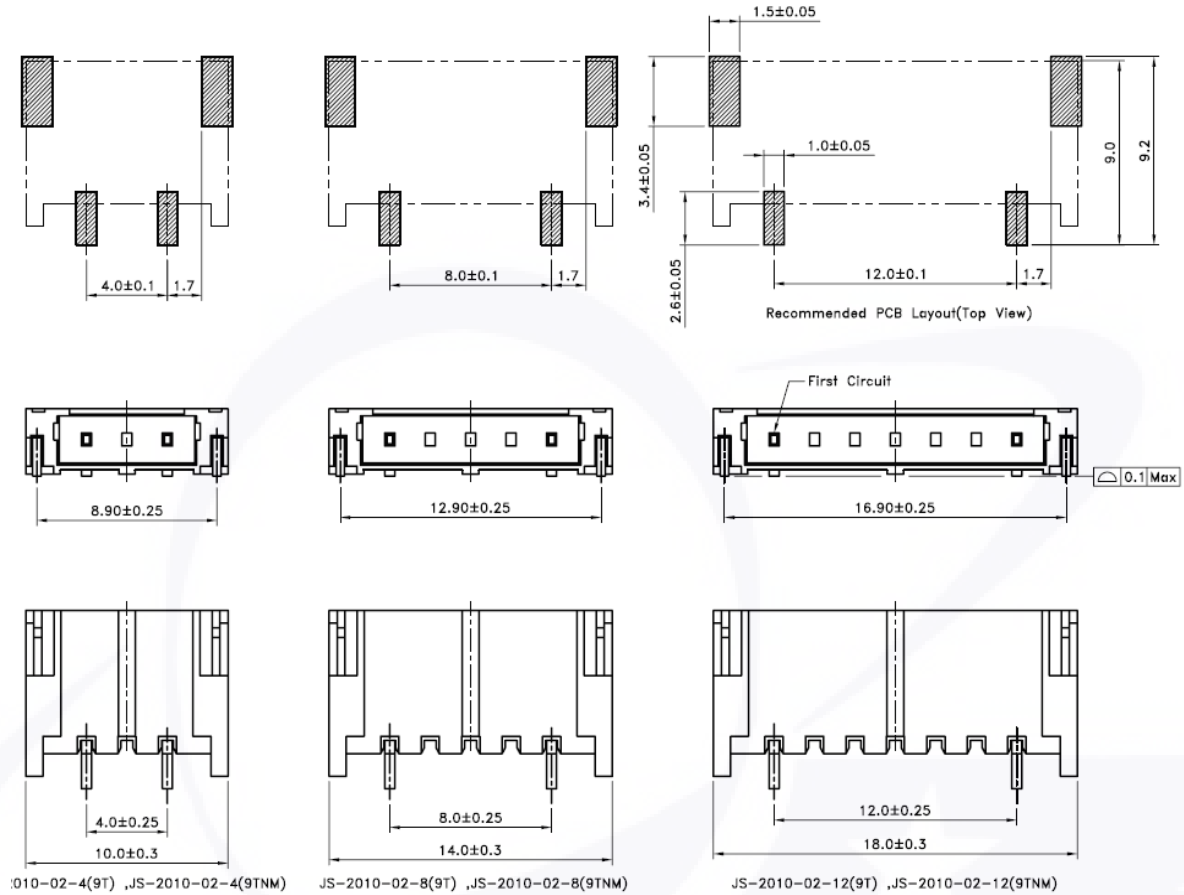
WAFER CONNECTOR, PITCH 4.00, SMT, RIGHT ANGLE, SINGLE ROW, CRIMP STYLE

Material and Finish

Contact: Pin Brass; Ear Brass
 Base: Nylon 9T UL94V-0
 Finish: Luster-Tin Plated or Mat-Tin Plated

Electrical

Current Rating: 1A AC/DC
 Withstanding Voltage: 1,800V AC/Minute
 Insulation Resistance: 500M ohms Min.
 Temperature Range: -25°C to +85°C
 Contact Resistance: 20m ohms Max.



| Series | Free Code | Pitch | Style | Plating |
|--------|-----------|------------|--------------|-----------------|
| WFC | 1- | [M] 4.00mm | [RM] 90°/SMT | [T0] TIN PLATED |

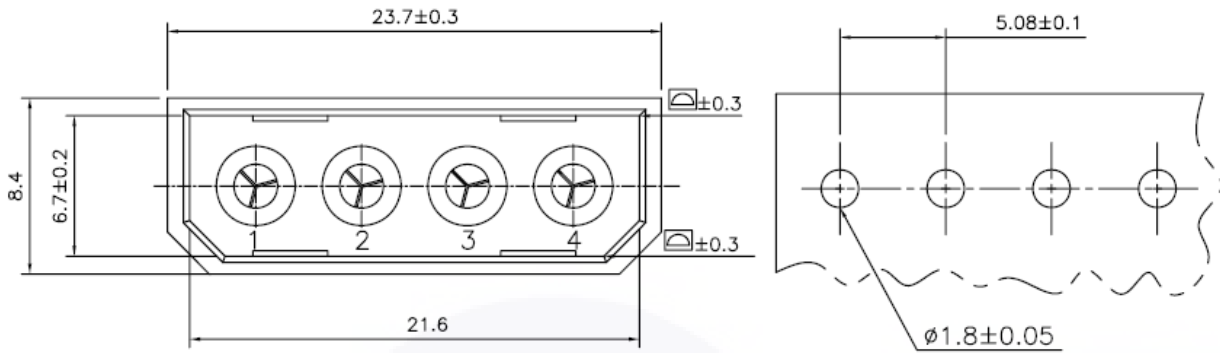
WAFER CONNECTOR, PITCH 5.08, DIP, STRAIGHT, SINGLE ROW, FOR DISK DRIVER

Material and Finish

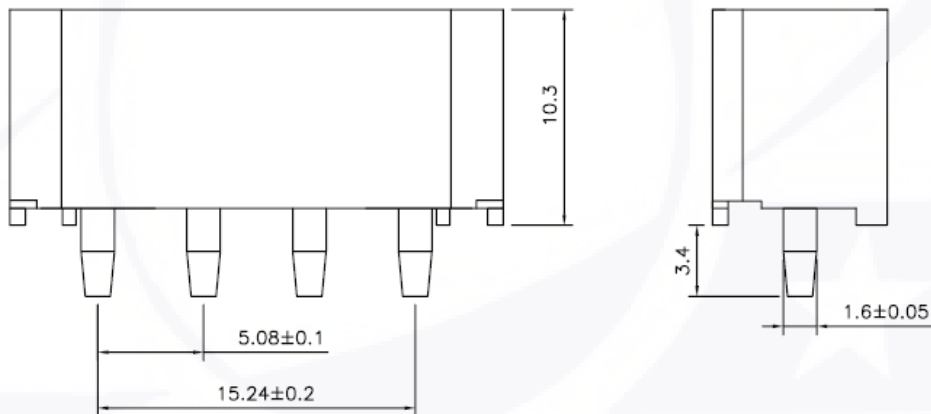
Contact: Brass, Tin plated
Base: Nylon 66, UL 94V-2 or UL 94V-0

Electrical

Voltage Rating: 250V AC/DC
Current Rating: 3A AC/DC
Withstanding Voltage: 1500V AC RMS for 1 minute.
Insulation Resistance: 1000M ohms Min.
Temperature Range: -25°C ~ +85°C
Contact Resistance: 20M ohms Max.



Recommant PCB Layout



| Series | Free Code | Pitch | Style | Plating |
|--------|-----------|-----------|--------------|-----------------|
| WFC | 1- | [J]5.08mm | [S] 180°/DIP | [T0] TIN PLATED |