

POWER CONNECTOR, PITCH 3.00mm, DUAL ROWS, RIGHT ANGLE DIP, WITH POST

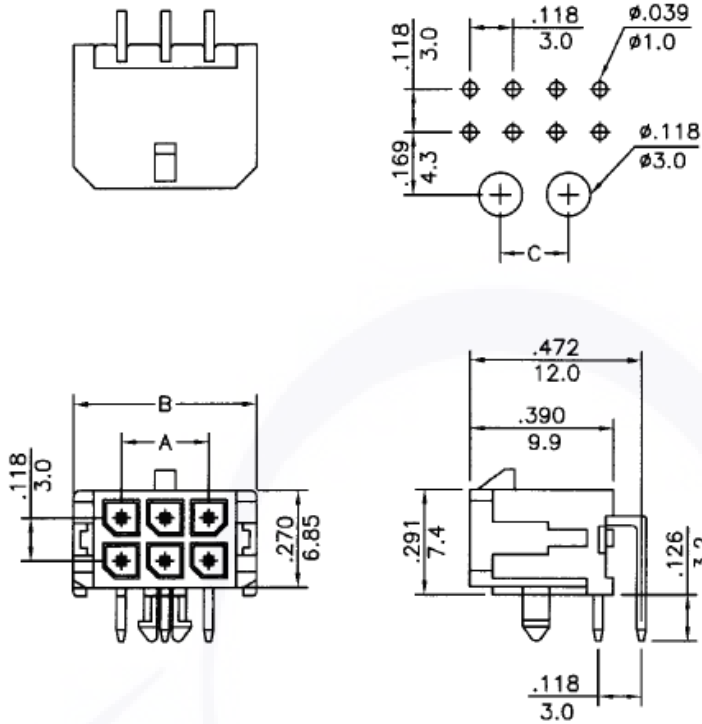
Material and Finish

1. Poles: 2-24
2. Insulator: HTN UL94V-0 BLACK
3. Contact: 0.64mm Square Pin, Brass Tin plated

Specifications

1. Current Rating: 5A AC, DC
2. Voltage Rating: 250V AC, DC
3. Temperature Range: -40°C ~ +150°C
4. Insulation Resistance: 1000M ohms Min.
5. Withstand Voltage: 1500V AC/minute.

P.C.B LAYOUT



TOLERLANCE:

- 2 ~ 8P A \pm 0.15, B \pm 0.20
- 10~16P A \pm 0.25, B \pm 0.30
- 18~24P A \pm 0.35, B \pm 0.40

CIRCUITS	DIM.A	DIM.B	DIM.C
2		(0.262)6.65	
4	(0.118)3.00	(0.380)9.65	
6	(0.236)6.00	(0.498)12.65	
8	(0.354)9.00	(0.616)15.65	(0.185)4.7
10	(0.472)12.00	(0.734)18.65	(0.303)7.7
12	(0.591)15.00	(0.852)21.65	(0.421)10.7
14	(0.709)18.00	(0.965)24.65	(0.539)13.7
16	(0.827)21.00	(1.090)27.70	(0.657)16.7
18	(0.945)24.00	(1.209)30.70	(0.776)19.7
20	(1.063)27.00	(1.327)33.70	(0.894)22.7
22	(1.181)30.00	(1.445)36.70	(1.012)25.7
24	(1.299)33.00	(1.563)39.70	(1.130)28.7

Series-	Pitch	Type	Hook	Post	Color	Material	Plated	NO. PINS
PWB	1- [1] 3.00	[R] Right Angle/ DIP	[8] 1.35 \pm 0.15	[1] W/	[0] BLACK	[3] N6T	[T0] TIN PLATED	2x_

4.20mm PITCH CRIMP TERMINAL

Terminal

Material: Brass

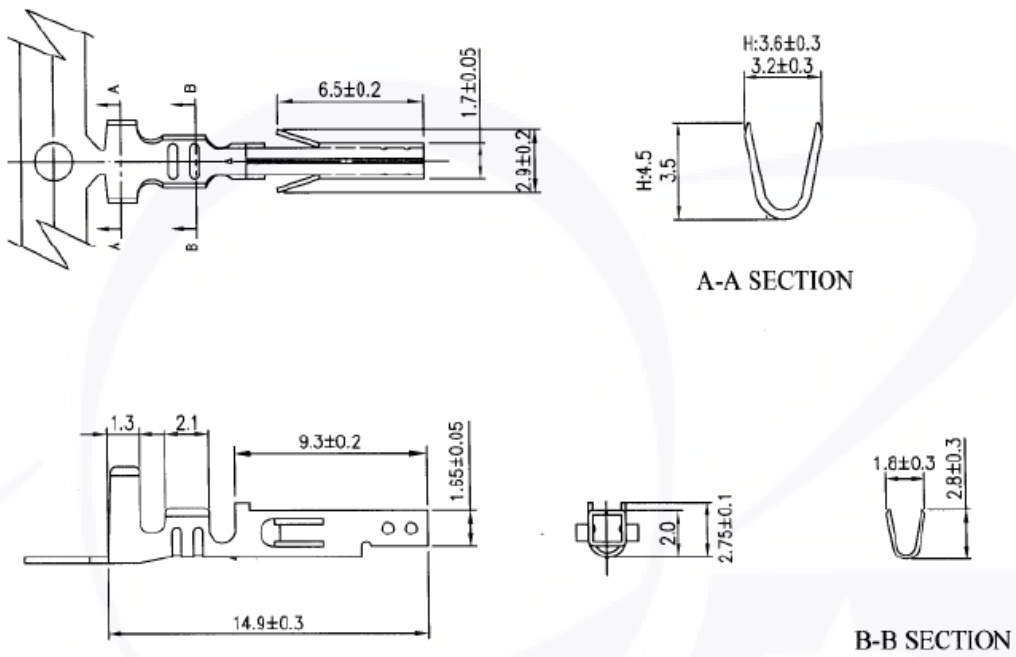
Thickness: 0.2mm

Plating: Tin plated

Wire Range: Suitable for AWG#16~18

Insulation O.D.: 2.8mm Max.

Q'TY: 5,000 pcs/roll



Series-	Pitch	Plating
PWC	1- 420	[T0] Tin Plated

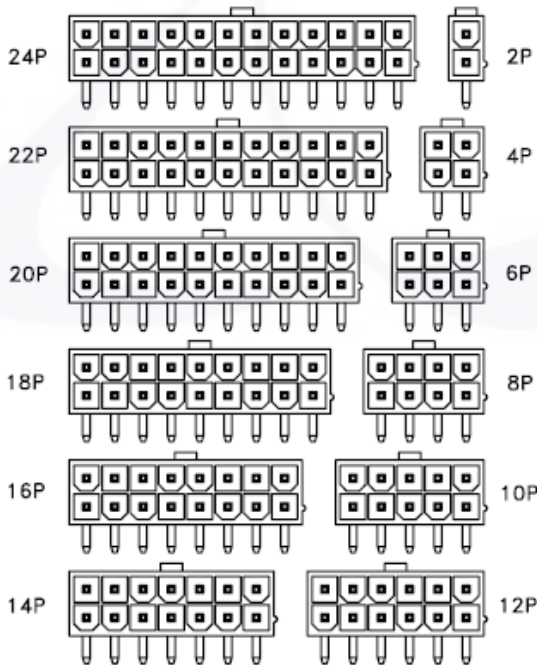
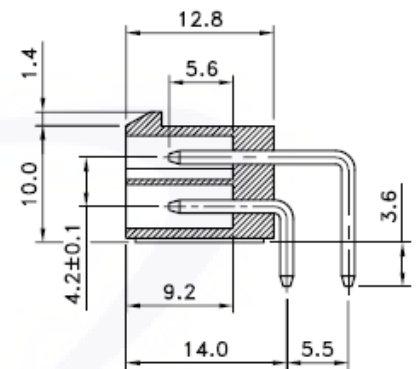
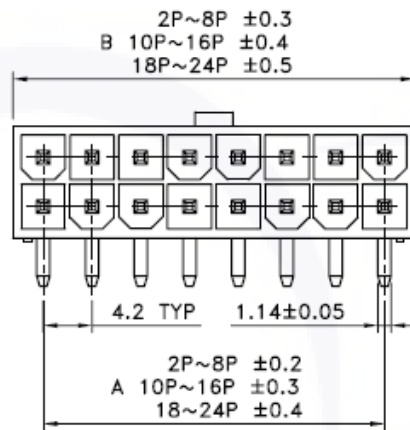
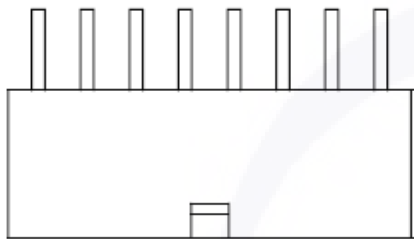
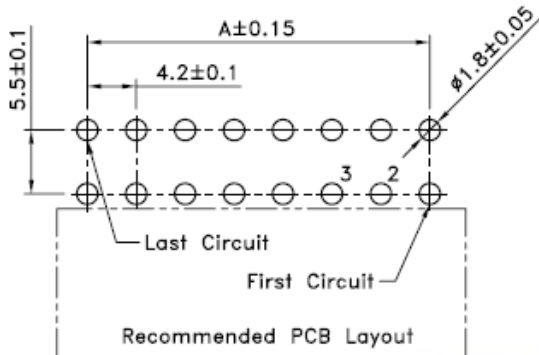
POWER CONNECTOR MINI FIT, PITCH 4.20mm, DUAL ROWS, RIGHT ANGLE DIP, HOOK 3.40mm

Material and finish

Contact: Brass, Tin plated
 Base: Nylon66, UL92V-2
 Pin: 2 to 24
 Packing: 1000pcs/ Bag

Electrical

Voltage rating: 250V AC/DC
 Current rating: 7A AC/DC
 Withstanding Voltage: 1500V AC/ Min.
 Insulation resistance: 1000M ohm Min.
 Temperature range: -40°C to +105°C
 Contact resistance: 20m ohms Max.



Poles	Dimensions(mm)	
	A	B
2	---	5.60
4	4.20	9.80
6	8.40	14.00
8	12.60	18.20
10	16.80	22.40
12	21.00	26.60
14	25.20	30.80
16	29.40	35.00
18	33.60	39.20
20	37.80	43.40
22	42.00	47.60
24	46.20	51.80

Series-	Pitch	Type	Hook	Post	Color	Material	Plating	NO. PINS
PWB	1- [3] 4.20	[R] Right Angle/ DIP	[2] 3.40	[0] W/O	[1] WHITE [11] IVORY [2] TRANSPARENT	[2] N66	[T0] TIN PLATED	

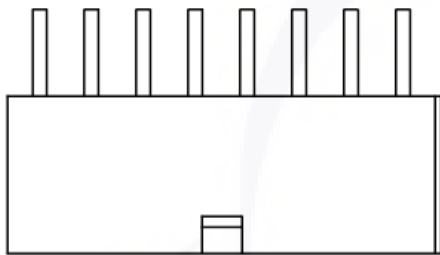
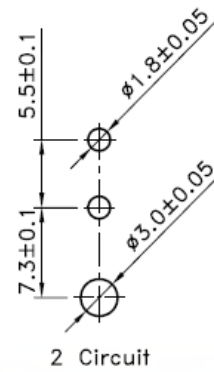
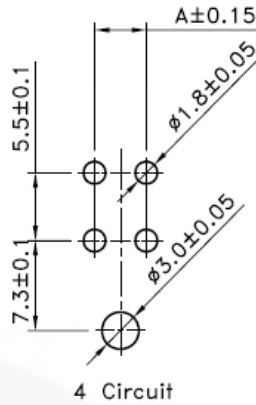
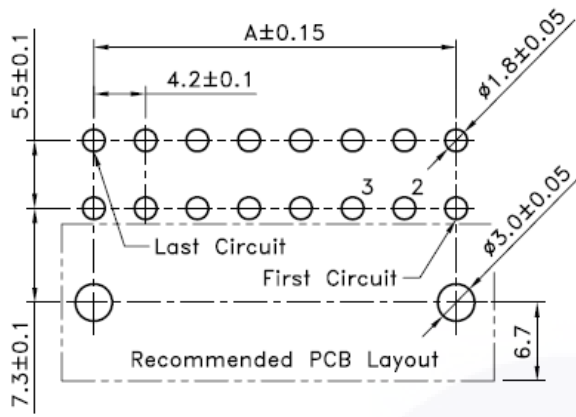
POWER CONNECTOR MINI FIT, PITCH 4.20mm, DUAL ROWS, RIGHT ANGLE DIP, HOOK 3.40mm, WITH POST

Material and finish

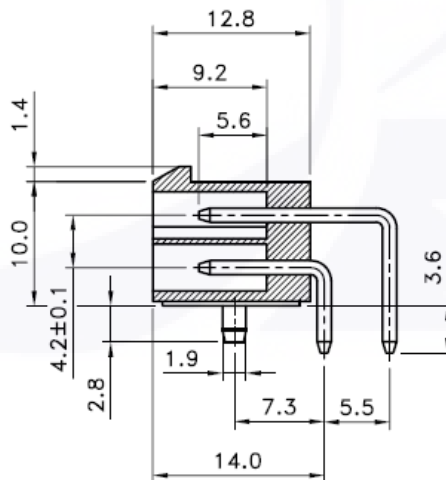
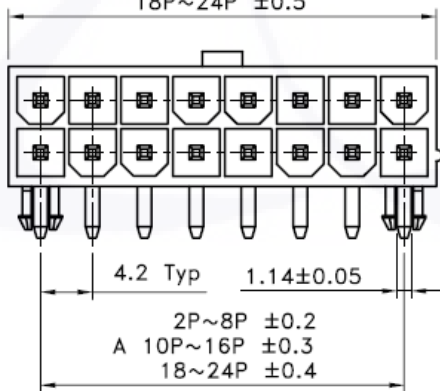
Contact: Brass, Tin plated
 Base: Nylon66, UL92V-2
 Pin: 2 to 24
 Packing: 1000pcs/ Bag

Electrical

Voltage rating: 250V AC/DC
 Current rating: 7A AC/DC
 Withstanding Voltage: 1500V AC/ Min.
 Insulation resistance: 1000M ohm Min.
 Temperature range: -40°C to +105°C
 Contact resistance: 20m ohms Max.



2P~8P ±0.3
 B 10P~16P ±0.4
 18P~24P ±0.5



Poles	Dimensions(mm)	
	A	B
2	----	5.60
4	4.20	9.80
6	8.40	14.00
8	12.60	18.20
10	16.80	22.40
12	21.00	26.60
14	25.20	30.80
16	29.40	35.00
18	33.60	39.20
20	37.80	43.40
22	42.00	47.60
24	46.20	51.80

Series-	Pitch	Type	Hook	Post	Color	Material	Plated	NO. PINS
PWB	1- [3] 4.20	[R] Right Angle/ DIP	[2] 3.40	[1] W/	[1] WHITE [11] IVORY [2] TRANSPARENT	[2] N66	[T0] TIN PLATED	

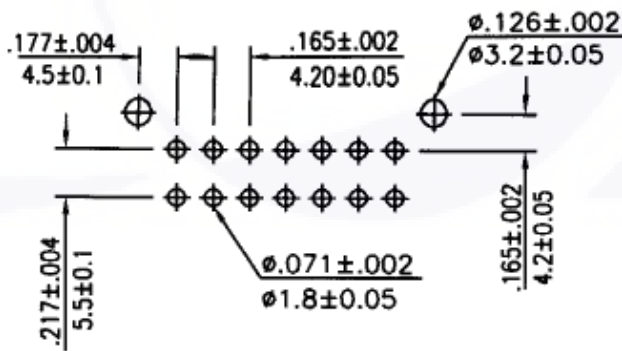
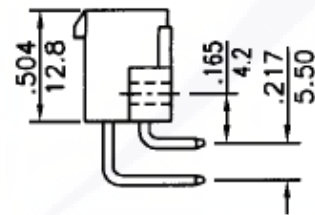
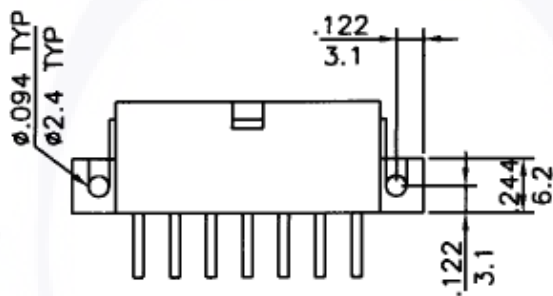
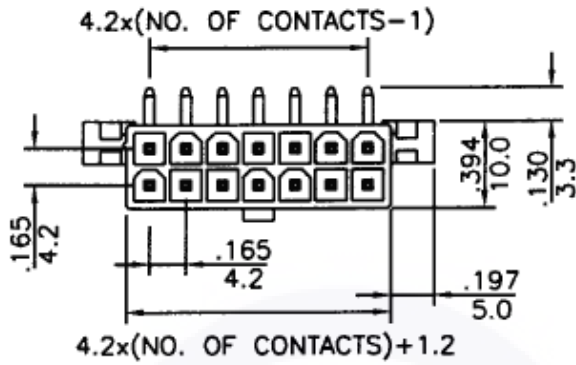
POWER CONNECTOR MINI FIT, PITCH 4.20mm, DUAL ROWS, RIGHT ANGLE DIP, HOOK 3.40mm, WITH SCREW HOLE

Material and finish

Contact: Brass, Tin plated
 Base: Nylon66, UL92V-2
 Pin: 2 to 24

Electrical

Voltage rating: 250V AC/DC
 Current rating: 7A AC/DC
 Withstanding Voltage: 1500V AC/ Min.
 Insulation resistance: 1000M ohm Min.
 Temperature range: -25°C to +85°C
 Applicable PC board thickness: 1.6mm



P.C. Board Layout

Series-	Pitch	Type	Hook	Post	Color	Material	Plated	NO. PINS	Opinion
PWB	1- [3] 4.20	[R] Right Angle/ DIP	[2] 3.40	[1] W/	[1] WHITE [11] IVORY [2] TRANSPARENT	[2] N66	[T0] TIN PLATED		[W] SCREW HOLE

POWER CONNECTOR MINI FIT, PITCH 4.20mm, DUAL ROWS, RIGHT ANGLE DIP, WITH POST, BMI TYPE
Material and finish

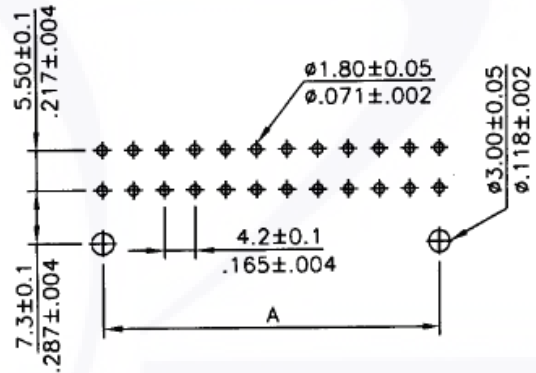
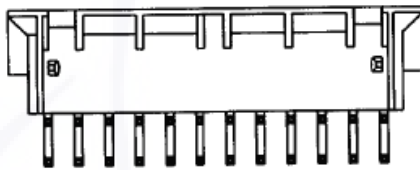
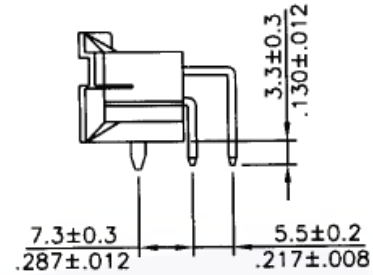
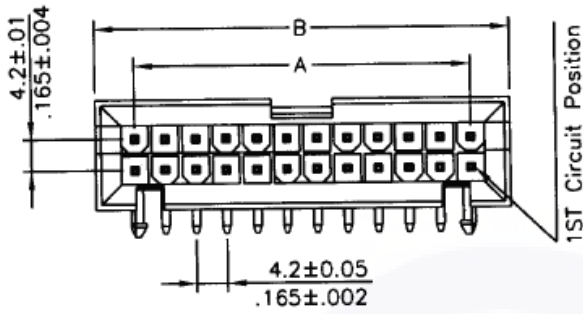
Housing: Nylon 66, UL 94V-0. Color: White.
Contact: Brass, Tin plated

Features

Available in 4 thru 24 circuits.
Voltage rating: 600V/AC (R.M.S.)
Current rating: 9 Amps Max

Electrical

Withstanding Voltage: 1500V AC for 60 seconds.
Insulation resistance: 1000M ohm Min.
Contact resistance: 10 Megohms Max.
Temperature range: -40°C to +105°C
Temperature Rise: 30°C Max.



P.C. Board Layout

CIRCUITS	DIMENSION in.(mm)		CIRCUITS	DIMENSION in.(mm)	
	A	B		A	B
4	0.165(4.20)	0.598(15.2)	16	1.157(29.40)	1.598(40.6)
6	0.331(8.40)	0.764(19.4)	18	1.323(33.60)	1.764(44.8)
8	0.496(12.60)	0.929(23.6)	20	1.488(37.80)	1.929(49.0)
10	0.661(16.80)	1.094(27.8)	22	1.654(42.00)	2.094(53.2)
12	0.827(21.00)	1.260(32.0)	24	1.819(46.20)	2.260(57.4)
14	0.992(25.20)	1.433(36.4)			

TOLERANCE

2P~8P A±0.2 B±0.3
10P~16P A±0.3 B±0.4
18P~24P A±0.4 B±0.5

Series-	Pitch	Type	Hook	Post	Color	Material	Plated	NO. PINS
PWB	1- [3] 4.20	[R] Right Angle/ DIP	[0] W/O Hook	[1] W/	[1] WHITE	[2] N66	[T0] TIN PLATED	

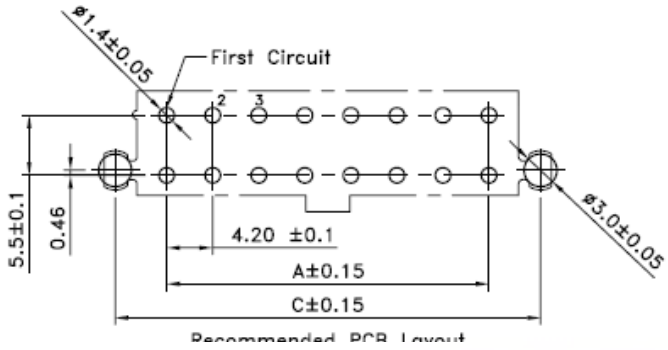
POWER CONNECTOR MINI FIT, PITCH 4.20mm, DUAL ROWS, STRAIGHT DIP, HOOK 3.40mm, WITH POST

Material and finish

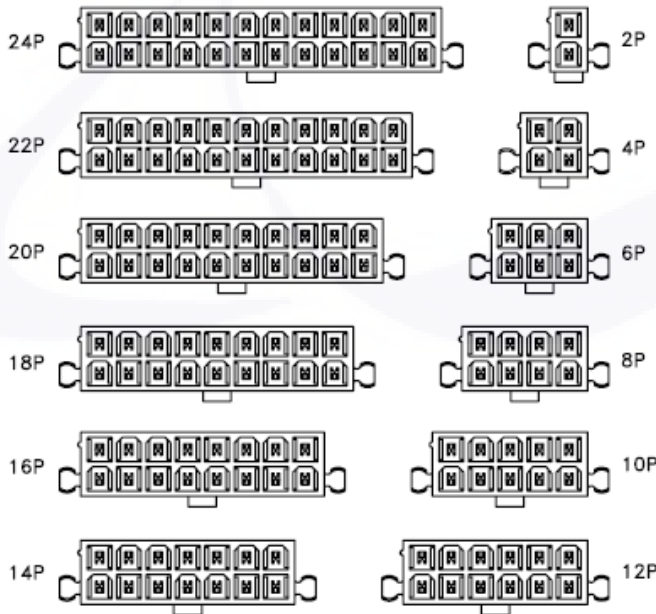
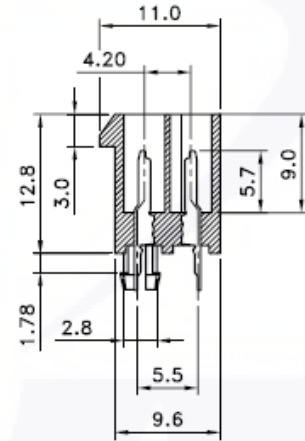
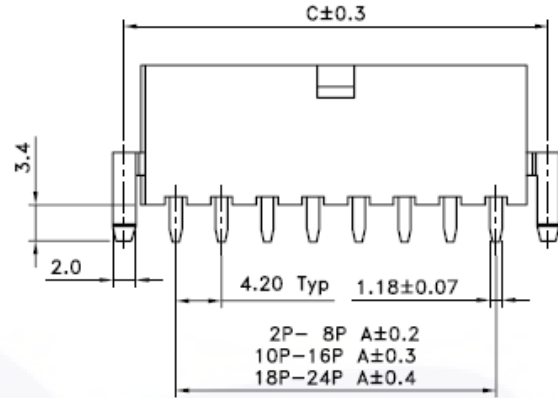
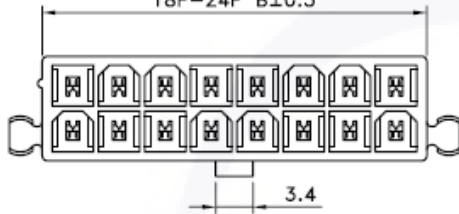
Contact: Brass, Tin plated
 Base: Nylon66, UL92V-2
 Pin: 2 to 24
 Packing: 1000pcs/ Bag

Electrical

Voltage rating: 250V AC/DC
 Current rating: 7A AC/DC
 Withstanding Voltage: 1500V AC/ Min.
 Insulation resistance: 1000M ohm Min.
 Temperature range: -40°C to +105°C
 Contact resistance: 20m ohms Max.



Recommended PCB Layout
 2P- 8P B±0.3
 10P-16P B±0.4
 18P-24P B±0.5



Pole:	Dimensions(mm)		
	A	B	C
2	---	5.60	9.40
4	4.20	9.80	13.60
6	8.40	14.00	17.80
8	12.60	18.20	22.00
10	16.80	22.40	26.20
12	21.00	26.60	30.40
14	25.20	30.80	34.60
16	29.40	35.00	38.80
18	33.60	39.20	43.00
20	37.80	43.40	47.20
22	42.00	47.60	51.40
24	46.20	51.80	55.60

Series-	Pitch	Type	Hook	Post	Color	Material	Plated	No. Pins
PWB	1- [3] 4.20	[S] Straight/ DIP	[2] 3.40	[1] W/	[1] WHITE [11] IVORY [2] TRANSPARENT	[2] N66	[T0] TIN PLATED	

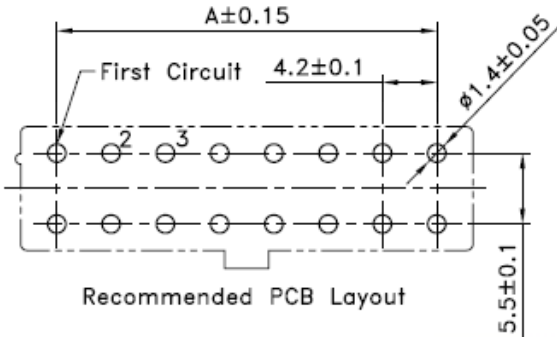
POWER CONNECTOR MINI FIT, PITCH 4.20mm, DUAL ROWS, STRAIGHT DIP, HOOK 3.40mm

Material and finish

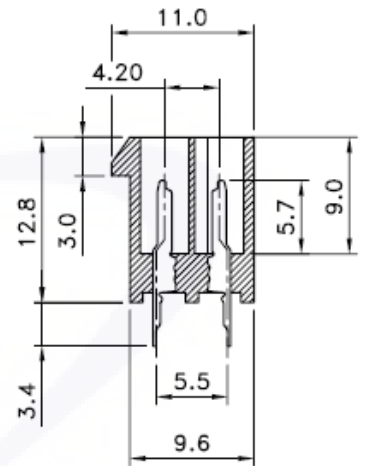
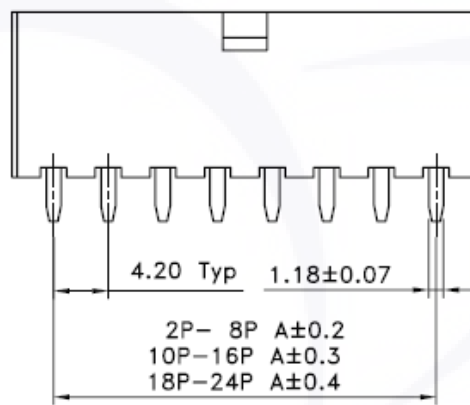
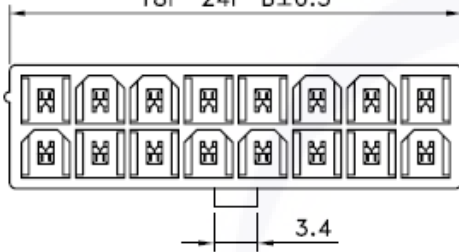
Contact: Brass, Tin plated
 Base: Nylon66, UL92V-2
 Pin: 2 to 24
 Packing: 1000pcs/ Bag

Electrical

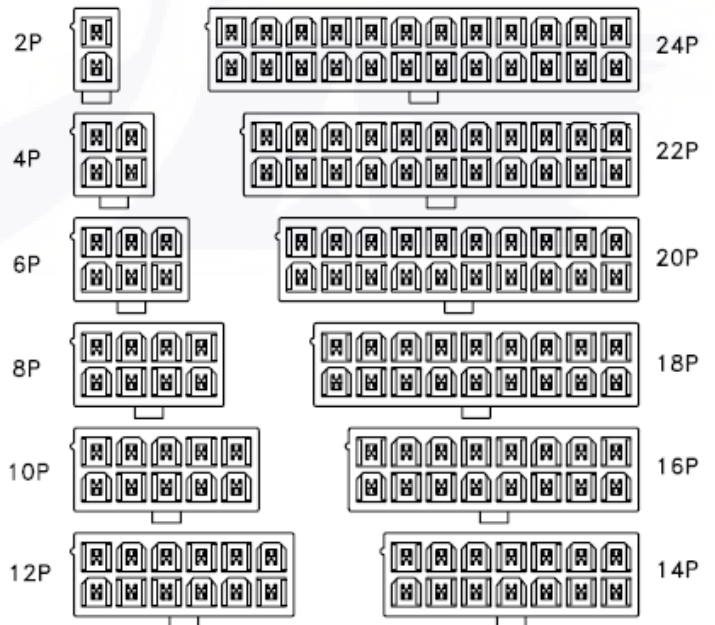
Voltage rating: 250V AC/DC
 Current rating: 7A AC/DC
 Withstanding Voltage: 1500V AC/ Min.
 Insulation resistance: 1000M ohm Min.
 Temperature range: -40°C to +105°C
 Contact resistance: 20m ohms Max.



2P- 8P B±0.3
 10P-16P B±0.4
 18P-24P B±0.5



Poles	Dimensions(mm)	
	A	B
2	---	5.60
4	4.20	9.80
6	8.40	14.00
8	12.60	18.20
10	16.80	22.40
12	21.00	26.60
14	25.20	30.80
16	29.40	35.00
18	33.60	39.20
20	37.80	43.40
22	42.00	47.60
24	46.20	51.80



Series-	Pitch	Type	Hook	Post	Color	Material	Plated	No. Pins
PWB	1- [3] 4.20	[S] Straight/ DIP	[2] 3.40	[0] W/O	[1] WHITE [11] IVORY [2] TRANSPARENT	[2] N66	[T0] Tin Plated	

POWER CONNECTOR MINI FIT, PITCH 4.20mm, DUAL ROWS, STRAIGHT DIP, WITH POST, BMI TYPE

Material and finish

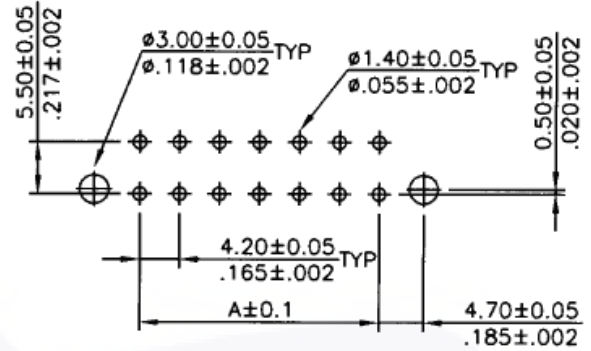
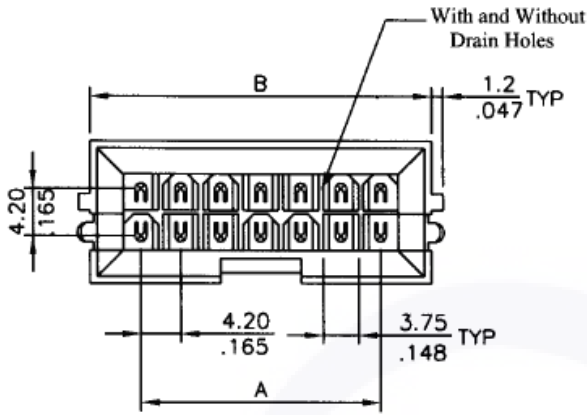
Housing: Nylon 66, UL 94V-0. Color: White.
 Contact: Brass, Tin plated

Features

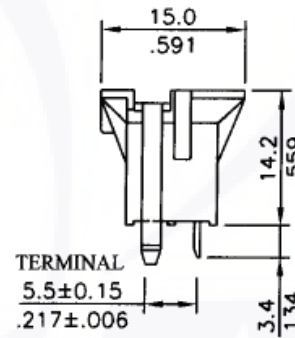
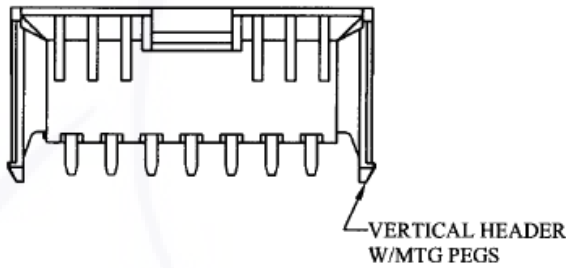
Available in 4 thru 24 circuits.
 Voltage rating: 600V/AC (R.M.S.)
 Current rating: 9 Amps Max

Electrical

Withstanding Voltage: 1500V AC for 60 seconds.
 Insulation resistance: 1000M ohm Min.
 Contact resistance: 10 Megohms Max.
 Temperature range: -40°C to +105°C
 Temperature Rise: 30°C Max.



P.C. Board Layout



CIRCUITS	DIMENSION in.(mm)		CIRCUITS	DIMENSION in.(mm)	
	A	B		A	B
4	0.165(4.20)	0.598(15.2)	16	1.157(29.40)	1.598(40.6)
6	0.331(8.40)	0.764(19.4)	18	1.323(33.60)	1.764(44.8)
8	0.496(12.60)	0.929(23.6)	20	1.488(37.80)	1.929(49.0)
10	0.661(16.80)	1.094(27.8)	22	1.654(42.00)	2.094(53.2)
12	0.827(21.00)	1.260(32.0)	24	1.819(46.20)	2.260(57.4)
14	0.992(25.20)	1.433(36.4)			

TOLERANCE

2P~8P A±0.2 B±0.3
 10P~16P A±0.3 B±0.4
 18P~24P A±0.4 B±0.5

Series-	Pitch	Type	Hook	Post	Color	Material	Plated	NO. PINS
PWB	1- [3] 4.20	[S] STRAIGHT/ DIP	[0] W/O Hook	[1] W/	[1] WHITE	[2] N66	[T0] TIN PLATED	

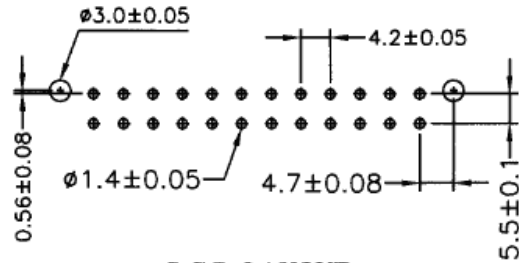
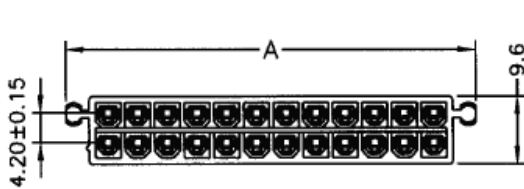
POWER CONNECTOR MINI FIT, PITCH 4.20mm, DUAL ROWS, STRAIGHT, WITH POST

Material and finish

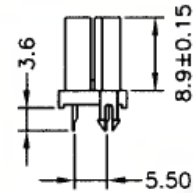
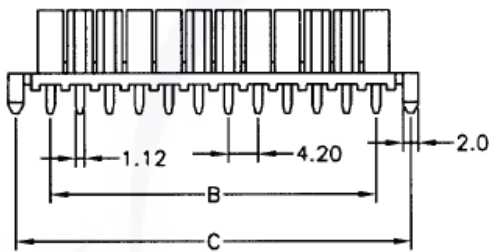
Housing: Nylon66, UL 94V-0, White
 Contacts: Brass, Tin plated
 Available in 2 thru 24 circuits

Electrical

Withstanding Voltage: 1500V AC for 60 seconds.
 Insulation Resistance: 1000 Megohms Min.
 Contact Resistance: 10 Milliohms Max.
 Storage Temperature Range: -40 ~ +105°C
 Temperature Rise: 30°C Max.



P.C.B. LAYOUT



CIRCUITS	DIMENSION mm			CIRCUITS	DIMENSION mm		
	A	B	C		A	B	C
2	11.4		9.4	14	36.6	25.20	34.6
4	15.6	4.20	13.6	16	40.3	29.40	38.8
6	18.9	8.40	17.8	18	45.0	33.60	43.0
8	24.0	12.60	22.0	20	49.2	37.80	47.2
10	28.2	16.80	26.2	22	53.4	42.00	51.4
12	32.4	21.00	30.4	24	57.6	46.20	55.6

TOLERANCE

2P~8P A±0.3 B±0.2
 10P~16P A±0.4 B±0.3
 18P~24P A±0.5 B±0.4

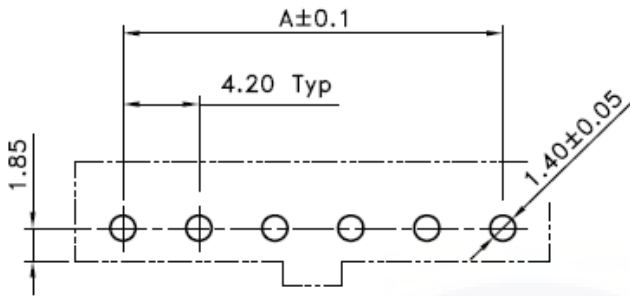
Series-	Pitch	Type	Hook	Post	Color	Material	Plated	No. Pins
PWB	0 [3] 4.20	[S] Straight/ DIP	[0] W/O HOOK	[1] W/	[1] WHITE [11] IVORY [2] TRANSPARENT	[2] N66	[T0] Tin Plated	

POWER CONNECTOR MINI FIT, PITCH 4.20mm, SINGLE ROW, STRAIGHT DIP, HOOK 3.40mm
Material and finish

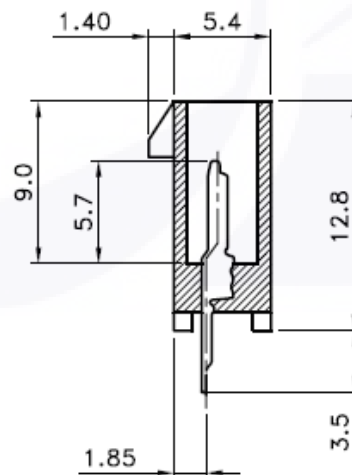
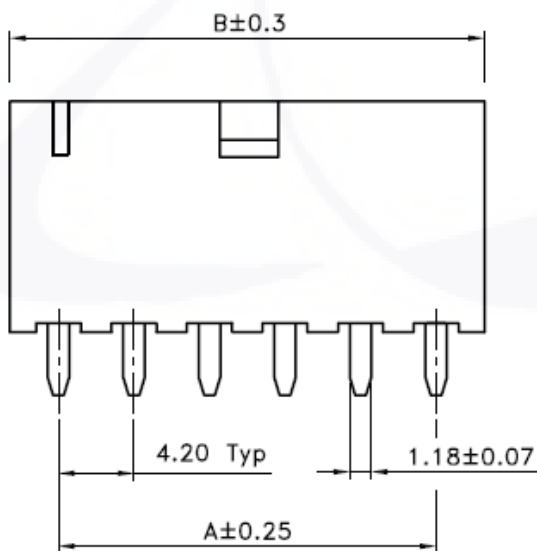
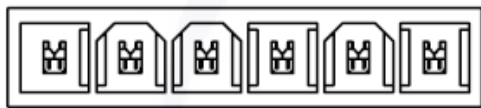
Contact: Brass, Tin plated
 Base: Nylon66, UL92V-2
 Pin: 2 to 6
 Packing: 1000pcs/ Bag

Electrical

Voltage rating: 600V AC/DC
 Current rating: 9A AC/DC
 Withstanding Voltage: 1500V AC/ Min.
 Insulation resistance: 1000M ohm Min.
 Temperature range: -40°C to +105°C
 Contact resistance: 20m ohms Max.



Poles	Dimensions(mm)	
	A	B
2	4.20	9.60
3	8.40	13.80
4	12.60	18.00
5	16.80	22.20
6	21.00	26.40



Series-	Pitch	Type	Hook	Post	Color	Material	Plated	No. Pins
PWB	1- [3] 4.20	[S] Straight/ DIP	[2] 3.40	[0] W/O	[1] WHITE [11] IVORY [2] TRANSPARENT	[2] N66	[T0] Tin Plated	

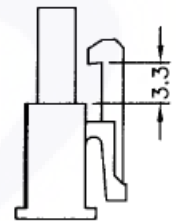
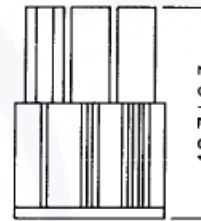
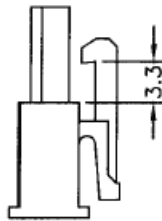
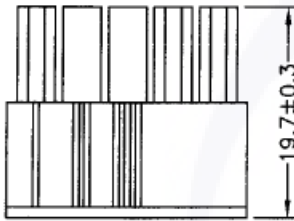
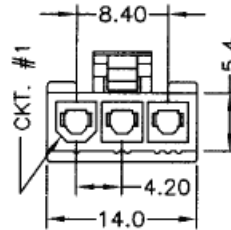
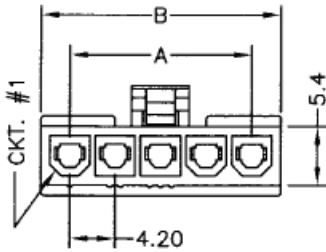
POWER CONNECTOR PLUG PITCH 4.20mm

Material and Finish

Base: Nylon66, UL92V-2; Color: Nature
Poles: 2~12 Circuit

Electrical

Voltage rating: 250V AC/DC
Current rating: 7A AC DC
Withstanding Voltage: 1500V AC/ Min.
Insulation resistance: 1000M ohm Min.
Temperature range: -25°C to +85°C
Contact Resistance: 20m ohms Max.



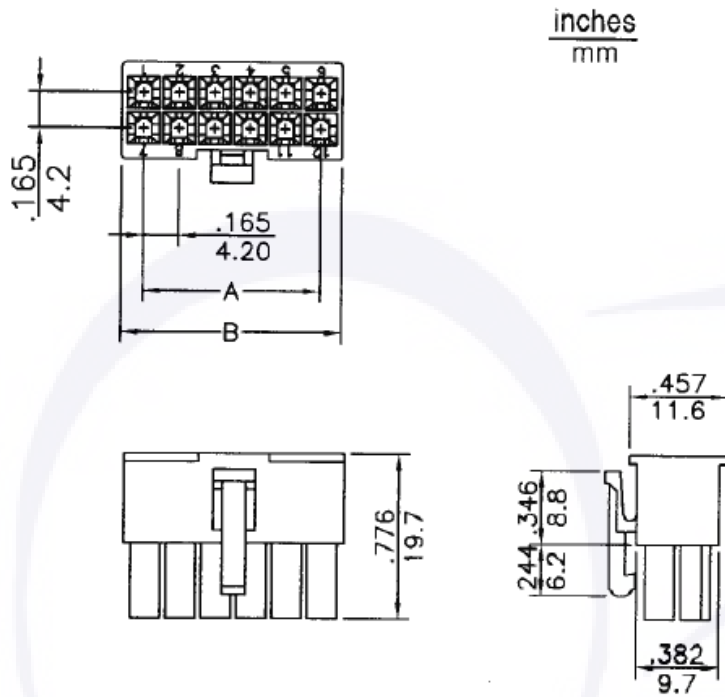
CIRCUITS	DIMENSION in.(mm)	
	A	B
2	0.165(4.2)	0.386(9.8)
3	0.331(8.4)	0.551(14.0)
4	0.496(12.6)	0.717(18.2)
5	0.681(16.8)	0.882(22.4)
6	0.827(21.0)	1.047(26.6)
7	0.992(25.2)	1.213(30.8)
8	1.157(29.4)	1.378(35.0)
9	1.323(33.6)	1.543(39.2)
10	1.488(37.8)	1.709(43.4)
11	1.654(42.0)	1.874(47.6)
12	1.819(46.2)	2.039(51.8)

Series-	Pitch	Type	Color	Material	NO. PINS
PWC	1- [3] 4.20	[S] 180°/DIP	[1] WHITE [11] IVORY [2] TRANSPARENT	[2] N66	1x_

POWER CONNECTOR PLUG PITCH 4.20mm, DUAL ROWS

Base: Nylon66, UL92V-2; Color: Nature
Poles: 2~24 Circuit

Voltage rating: 250V AC/DC
Current rating: 7A AC DC
Withstanding Voltage: 1500V AC/ Min.
Insulation resistance: 1000M ohm Min.
Temperature range: -25°C to +120°C



CIRCUITS	DIMENSION in.(mm)	
	A	B
2		0.217(5.5)
4	0.165(4.20)	0.382(9.7)
6	0.331(8.40)	0.547(13.9)
8	0.496(12.60)	0.713(18.1)
10	0.661(16.80)	0.878(22.3)
12	0.837(21.00)	1.043(26.5)

CIRCUIT	DIMENSION in.(mm)	
	A	B
14	0.992(25.20)	1.209(30.7)
16	1.157(29.40)	1.374(34.9)
18	1.323(33.60)	1.539(39.1)
20	1.488(37.80)	1.705(43.3)
22	1.654(42.00)	1.870(47.5)
24	1.819(46.20)	2.035(51.7)

Series-	Pitch	Type	Color	Material	NO. PINS
PWC	2- [3] 4.20	[S] 180°/DIP	[2] TRANSPARENT	[2] N66	2X_

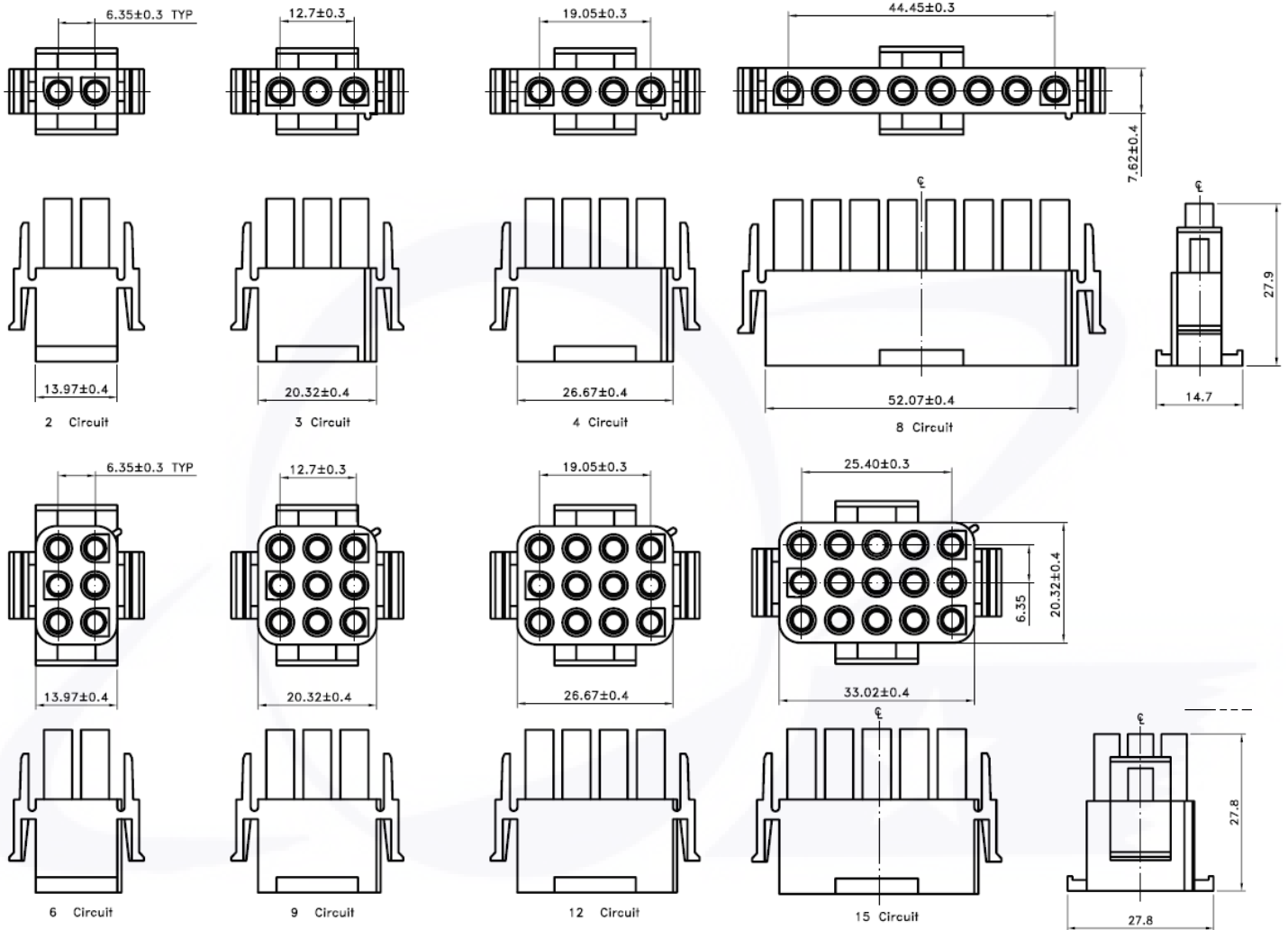
POWER CONNECTOR PLUG PITCH 6.35mm

Material and Finish

Base: Nylon66, UL92V-2; Color: Nature
 Poles: Single Row: 2~10 Circuit
 Triple Row: 6, 9, 12, 15 Circuit

Electrical

Voltage rating: 600V AC/DC
 Current rating: 2~4 Circuit: 13A Max
 5~15 Circuit: 11A Max
 Withstanding Voltage: 5000V AC/ Min.
 Insulation resistance: 1000M ohm Min.
 Temperature range: -55°C to +105°C
 Contact Resistance: 20m ohms Max.



Series-	Pitch	Type	Color	Material	NO. PINS
PWC	1- [4] 6.35	[S] 180°/DIP	[1] WHITE [11] IVORY [2] TRANSPARENT	[2] N66	1x_ 3x_