

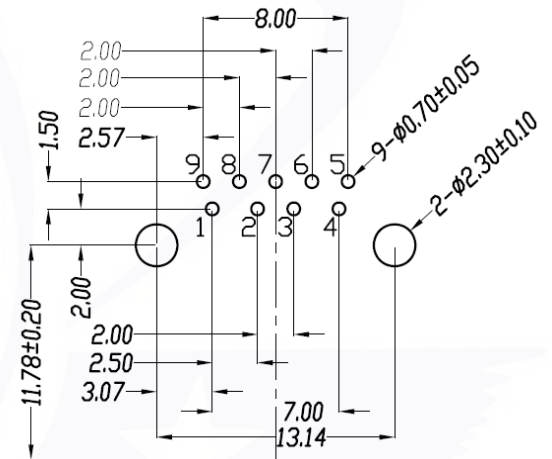
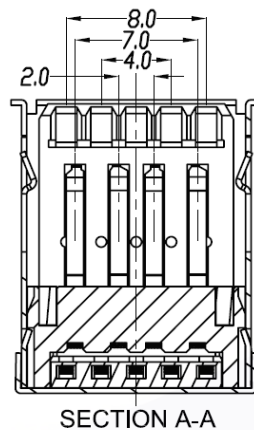
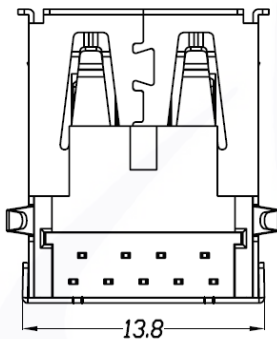
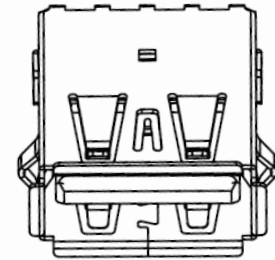
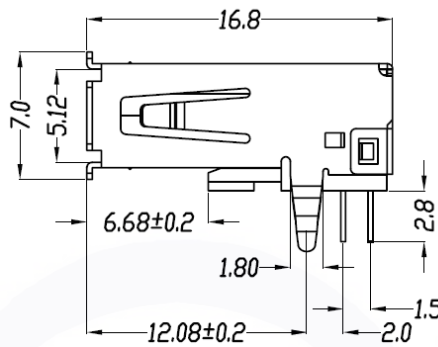
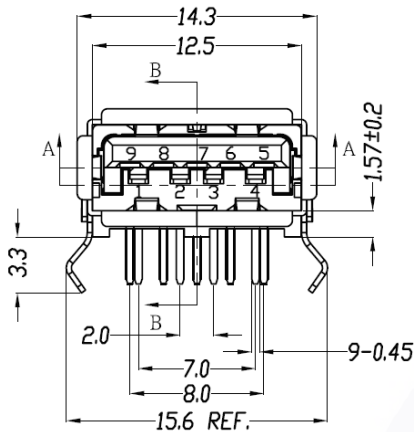
## USB CONNECTOR 3.0, FOR PCB, A TYPE, FEMALE, 9 PINS, DIP, RIGHT ANGLE

### Material

Housing: PBT G.F. , Blue  
 Contact: Phosphor Bronze, Gold/Tin Plated  
 Shell: Nickel plated.

### Electrical

Contact Resistance: The Pin 1, Pin 4, mated plug connectors, 30M ohms Max.  
 Other Pins, mated plug connectors, 50M ohms Max.  
 Insulation Resistance: 100M ohms Min. At 500V DC.  
 Contact Current Rating: 1.8 AMP. Min.  
 Voltage Rating: 500V AC for 1 minute.  
 Dielectric Withstanding Voltage: 500V AC for 1 minute.  
 Durability( Life Test, Before): Insertion Force: 35N Max.  
 Extraction Force: 10N Min.  
 Durability( Life Test, Before): 1500 cycles at 200+/- 50 cycles per hours.  
 Extraction Force: 8N Min.



CONNECTOR FRONT EDGE  
 REFERENCE PCB LAYOUT

Series-	Type	Style	No. Pins	Angle	Deck	Color	Plating	Packing-	Option-	Status-
U3P	1- [A] A TYPE	[2] FEMALE	9	[R] 90°/DIP	[1] SINGLE DECK	[4] BLUE	[T1] SELECTIVE GOLD PLATED 1u" [T30] SELECTIVE GOLD PLATED 30u"	[G] BAG [X] BOX [R] REEL [U] TUBE [Y] TRAY		[R]RoHS

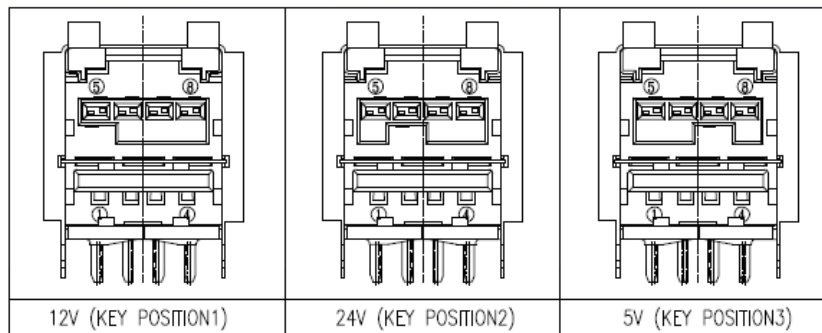
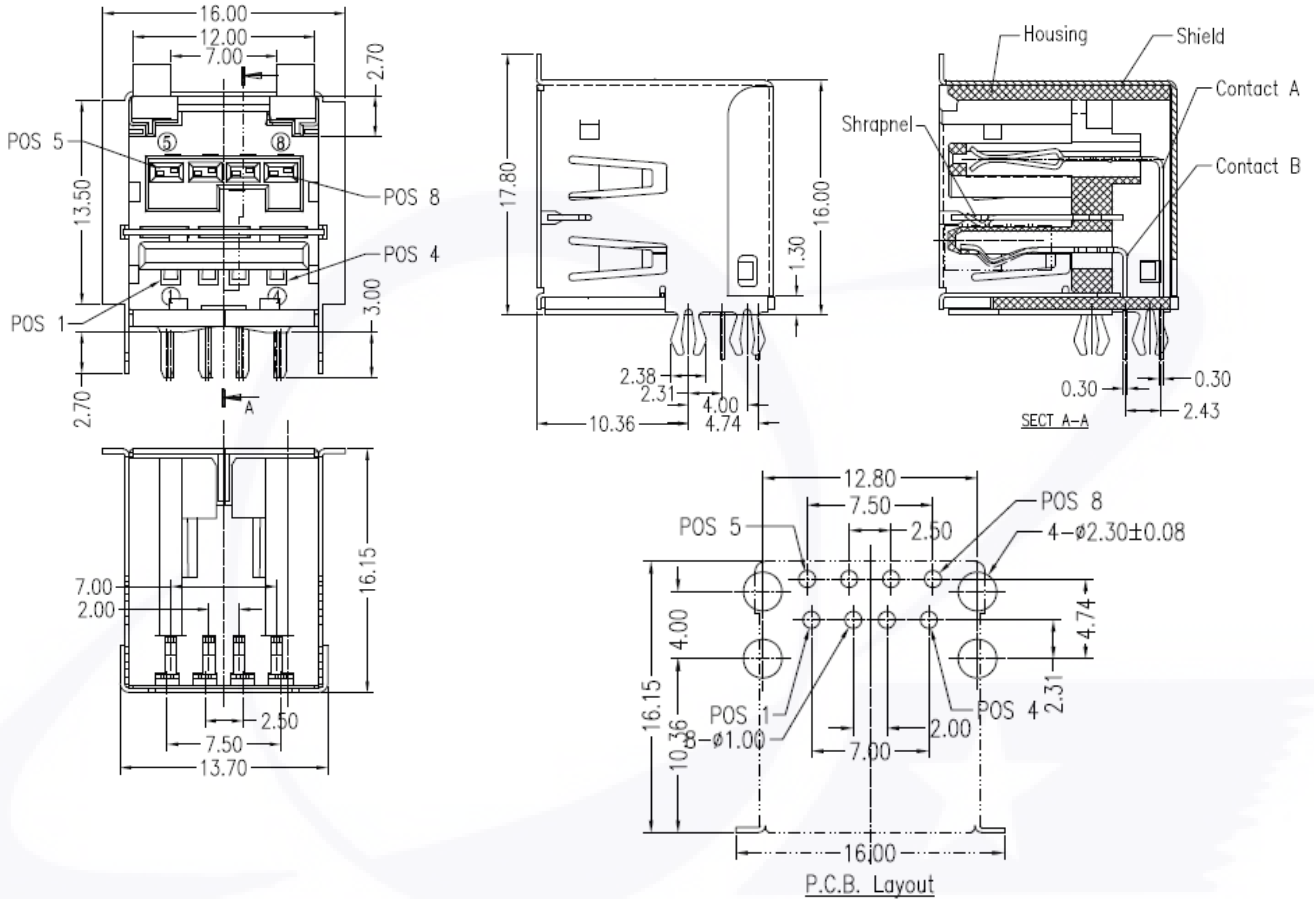
# USB + POWER PLUG 8 PINS

## Material

Housing: Nylon66, Glass Fiber 30%, UL 94V-0 rated.  
 Contact: Phosphor Bronze;  
 Contacts Plating: Gold plating over Nickel(40~80u")min. on contact area.  
 Tin(100~250u")min. Plating on Solder Tail.  
 Shields: Phosphor Bronze;  
 Shields Plating: Tin(100~250u")min. Over Nickel(40~80u")min.  
 Sharpnel: Brass;  
 Sharpnel Plating: Nickel Plating.

## Mechanical

Inertion Force: 35N max.  
 Extraction Force: 10N min.  
 Durability: 1500 cycles.  
 USB Section Conforms to USB 2.0 Specification.  
 Electrical Specification  
 Rated Voltage and Current: 3.0A at 250V AC min.  
 Contact Resistance: 30m ohms Max.  
 Insulation Resistance: 1000 Mohms min at 500V DC.  
 Dielectric Withstanding Voltage: 500V AC for 1 minute.  
 Operating Temperature: -55°C to 85°C



Series-	NO. of PINS	Voltage	Color	Plating
USPO-	1-	8	[5] 5V [12] 12V [24] 24V	[0] BLACK [5] RED [7] GREEN
				[G30] GOLD PLATED 30u"

**MICRO USB CONNECTOR, FOR PCB, AB TYPE, FEMALE, 5 PINS, SMT**
**Specification**

Contact Resistance:

(1) 30m Ohms Max. at 100mA

(2) 10,000 Cycles After: 40m ohms Max. at 100mA

Rated Voltage: AC 30V

Contact Current Rating:

(1) Signal Line: 1A/Pin (NO. 1 to 5)

(2) 2-Line for Power: 1.8A/Pin (NO.1 and 5), 0.5A/Pin (NO. 2 to 4)

Insulation Resistance: 100M Ohms Min. At 500V DC

Dielectric Withstanding Voltage: 100V AC for 1 Minute

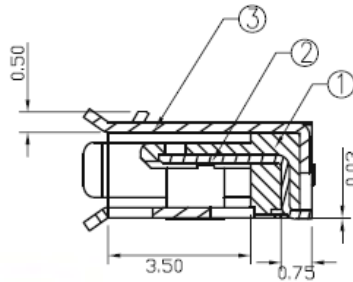
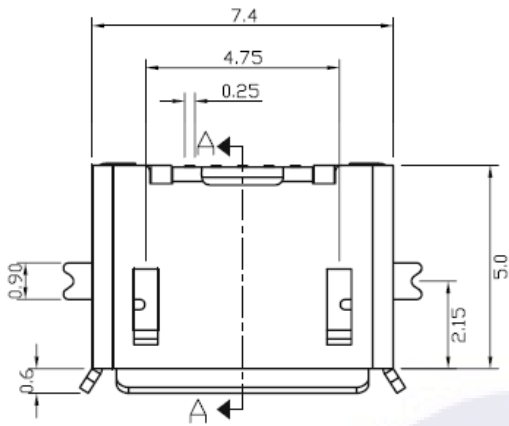
Durability (Life Test): 10,000 Cycles

Insertion Force: 35 Newton Max.

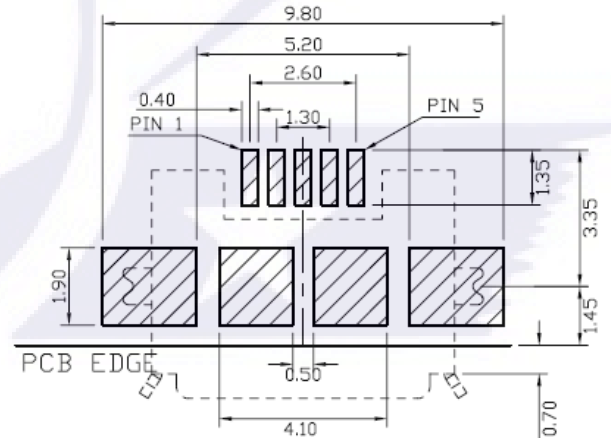
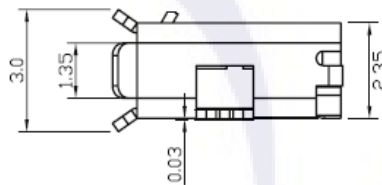
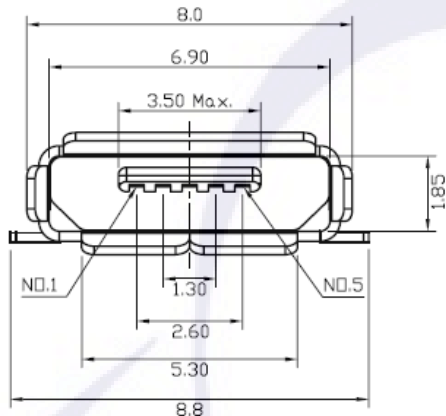
Extraction Force: 8 Newton Min.

Operating Temperature: -30°C to +80°C

Solderability: 260°C± 5°C; 5 Sec.



SECTION A-A


 COMPONENT SIDE  
PCB LAYOUT

Series-	Type	Style	No. Pins	Deck	Insulator Color	Plating	Packing-	Status-
UMP-	1-	[C] AB TYPE [2] FEMALE	5	[M] SMT [1] SINGLE DECK	[0] BLACK	[G30] GOLD PLATED 30u"	[G] BAG [X] BOX [R] REEL [U] TUBE [Y] TRAY	[R]RoHS

**MICRO USB CONNECTOR, FOR PCB, B TYPE, FEMALE, 5 PINS, SMT ( WITH 2 POSTS)**

**Specification**

Contact Resistance:

(1) 30m Ohms Max. at 100mA

(2) 10,000 Cycles After: 40m ohms Max. at 100mA

Rated Voltage: AC 30V

Contact Current Rating:

(1) Signal Line: 1A/Pin (NO. 1 to 5)

(2) 2-Line for Power: 1.8A/Pin (NO.1 and 5), 0.5A/Pin (NO. 2 to 4)

Insulation Resistance: 100M Ohms Min. At 500V DC

Dielectric Withstanding Voltage: 100V AC for 1 Minute

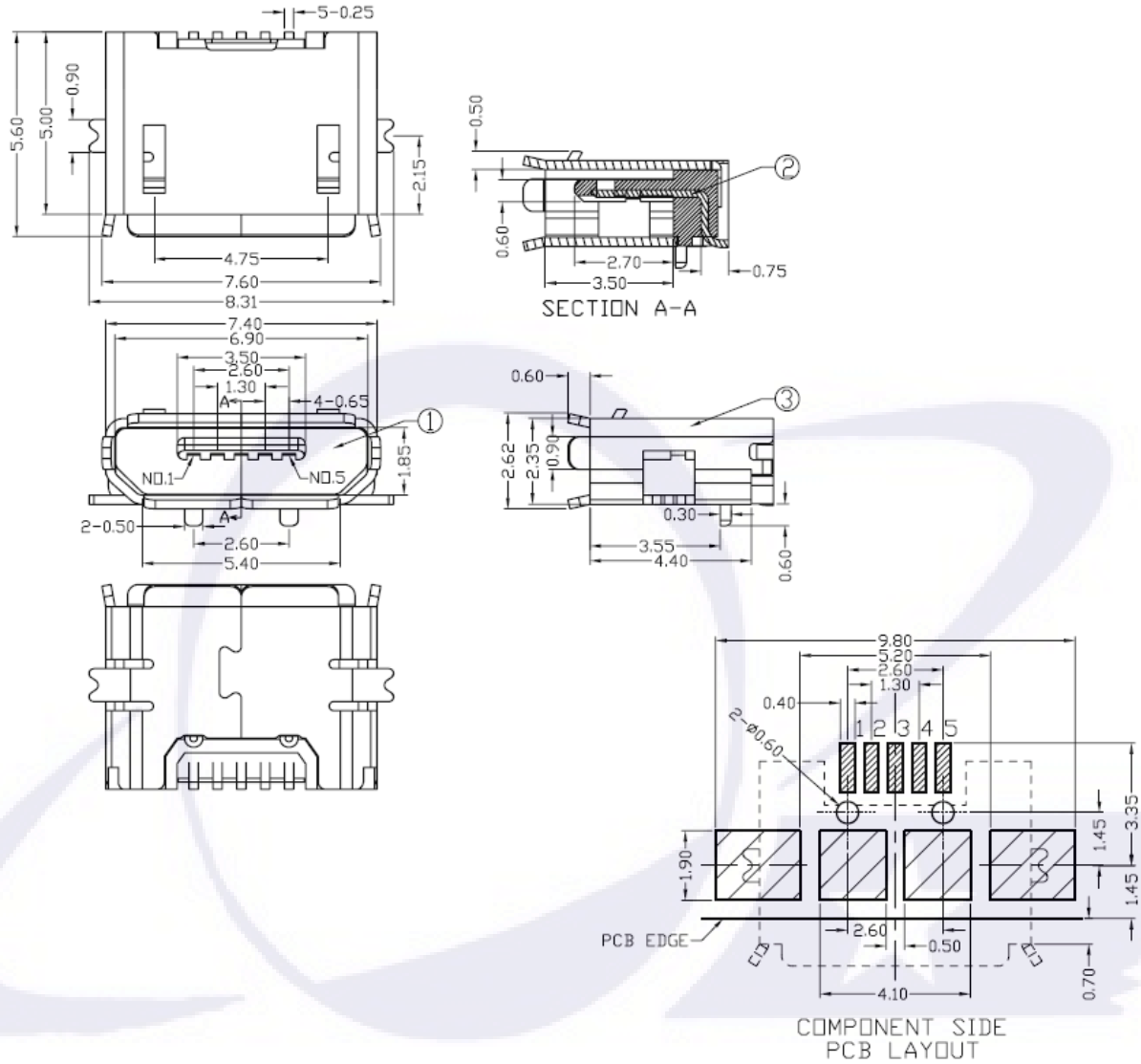
Durability (Life Test): 10,000 Cycles

Insertion Force: 35 Newton Max.

Extraction Force: 8 Newton Min.

Operating Temperature: -30°C to +80°C

Solderability: 255°C± 5°C; 5 Sec.



Series-	Type	Style	No. Pins	Deck	Insulator Color	Plating	Packing-	Status-
UMP-	1- [B] B TYPE	[2] FEMALE	5 [M] SMT	[1] SINGLE DECK	[0] BLACK	[G30] GOLD PLATED 30u"	[G] BAG [X] BOX [R] REEL [U] TUBE [Y] TRAY	[R]RoHS

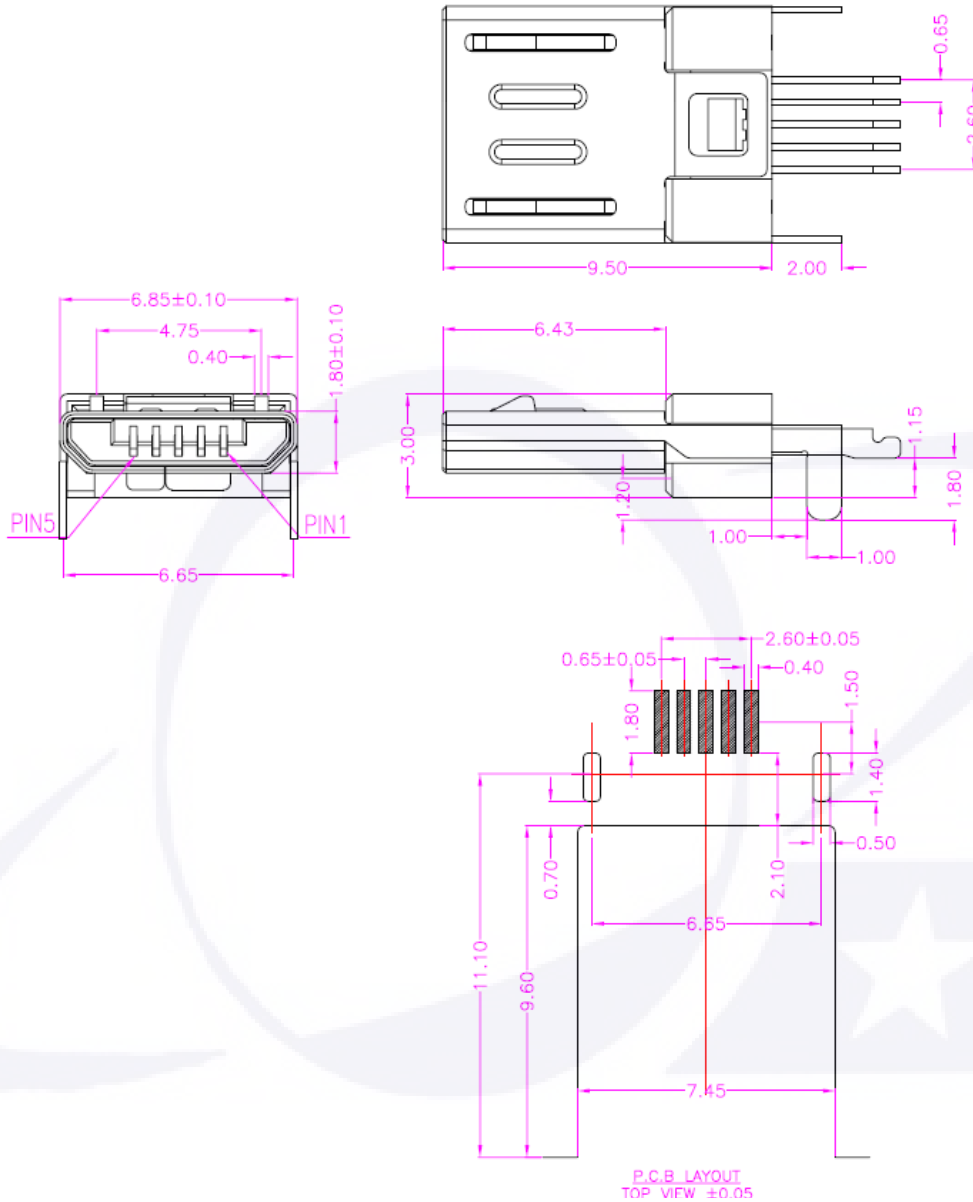
**MICRO USB CONNECTOR FOR PCB B TYPE MALE 5 PINS SMT**

**Material**

Housing: Hi-Temp, Plastic UL94V-0  
 Shell: Stainless Steel, Nickel Plating  
 Terminal: Copper Alloy, Gold plated on Contact area; Tin plated on Solder tail

**Specification**

Current rating: 1.8 Amp Max. (only pin 1 and 5), others 1 Amp Max.  
 Dielectric withstanding: 100V AC for one minute  
 Contact resistance: 30m Ohms Max.  
 Insulation resistance: 100M Ohms min. at DC 500V  
 Operation temperature: -25°C~+85°C



Series-	Type	Style	No. Pins	Deck	Insulator Color	Plating
UMP-	1- [B] B TYPE	[1] MALE	5 [M] SMT	[1] SINGLE DECK	[0] BLACK	[G1] GOLD FLASH

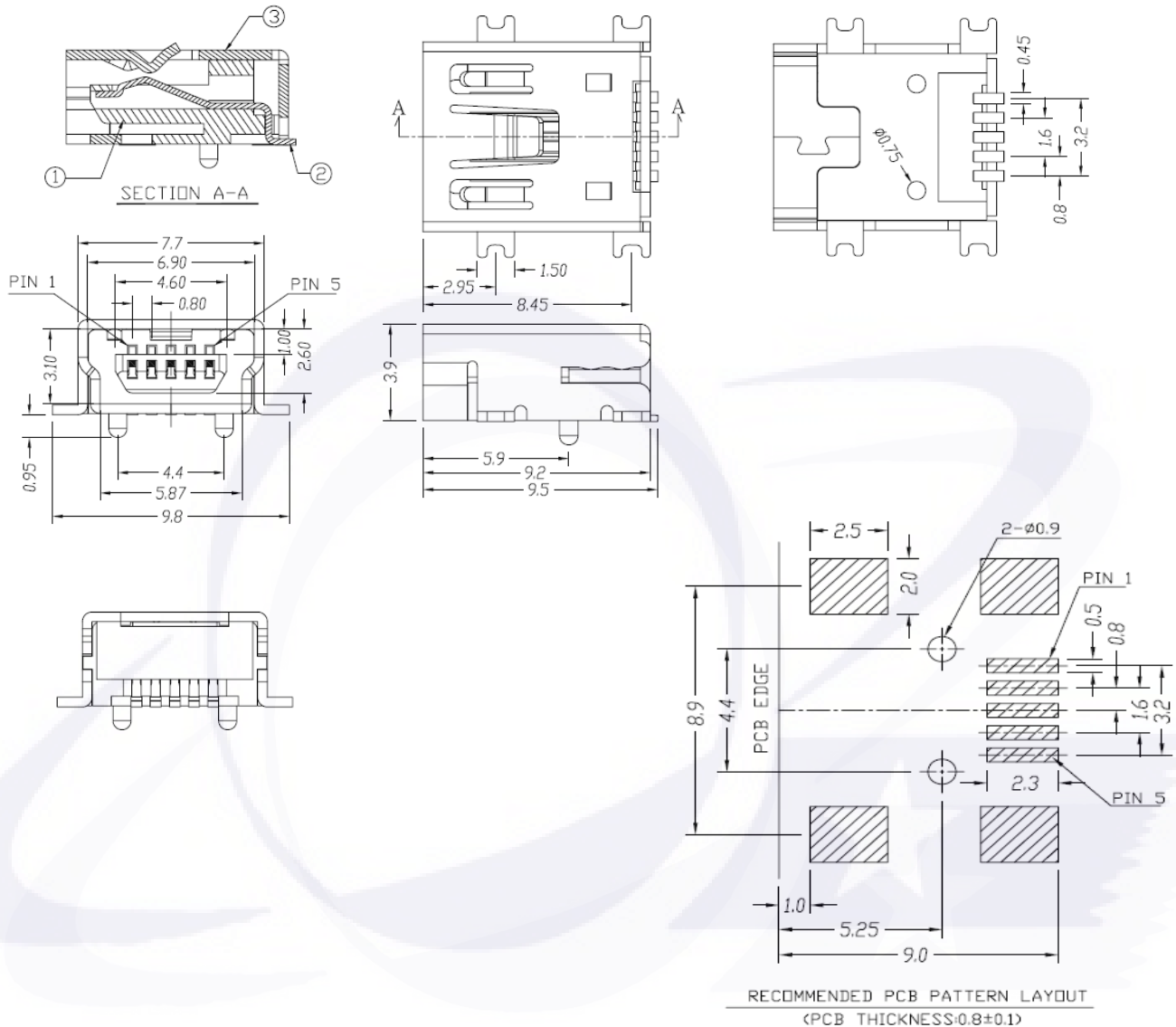
## MINI USB CONNECTOR, FOR PCB, B TYPE, FEMALE, 5 PINS, SMT, RIGHT ANGLE

### Material and Finish

1. Housing: PBT G.F., Black
2. Pin term: PBS, T=0.25, Gold/Tin Plated
3. Shell: Brass, T=0.4, Nickel plated

### Electrical

Contact Resistance: 50M ohms Max.  
 Insulation Resistance: 100M ohms Min. At 500V DC.  
 Rated Voltage and Current: 1A at 30V AC Min  
 Dielectric Withstanding Voltage: 100V AC for 1 minute.  
 Durability( Life Test): 1500 cycles  
 Insertion Force: 35 Newton Max.  
 Extraction Force: 7 Newton Min.



Series-	Type	Style	No. Pins	Angle	Deck	Color	Plating	Packing-	Option-	Status-
UP-	1- [B] B TYPE	[2] FEMALE	5	[RM] 90°/SMT	[1] SINGLE DECK	[0] BLACK	[T1] SELECTIVE GOLD PLATED 1u" [T30] SELECTIVE GOLD PLATED 30u"	[G] BAG [X] BOX [R] REEL [U] TUBE [Y] TRAY		[R]RoHS

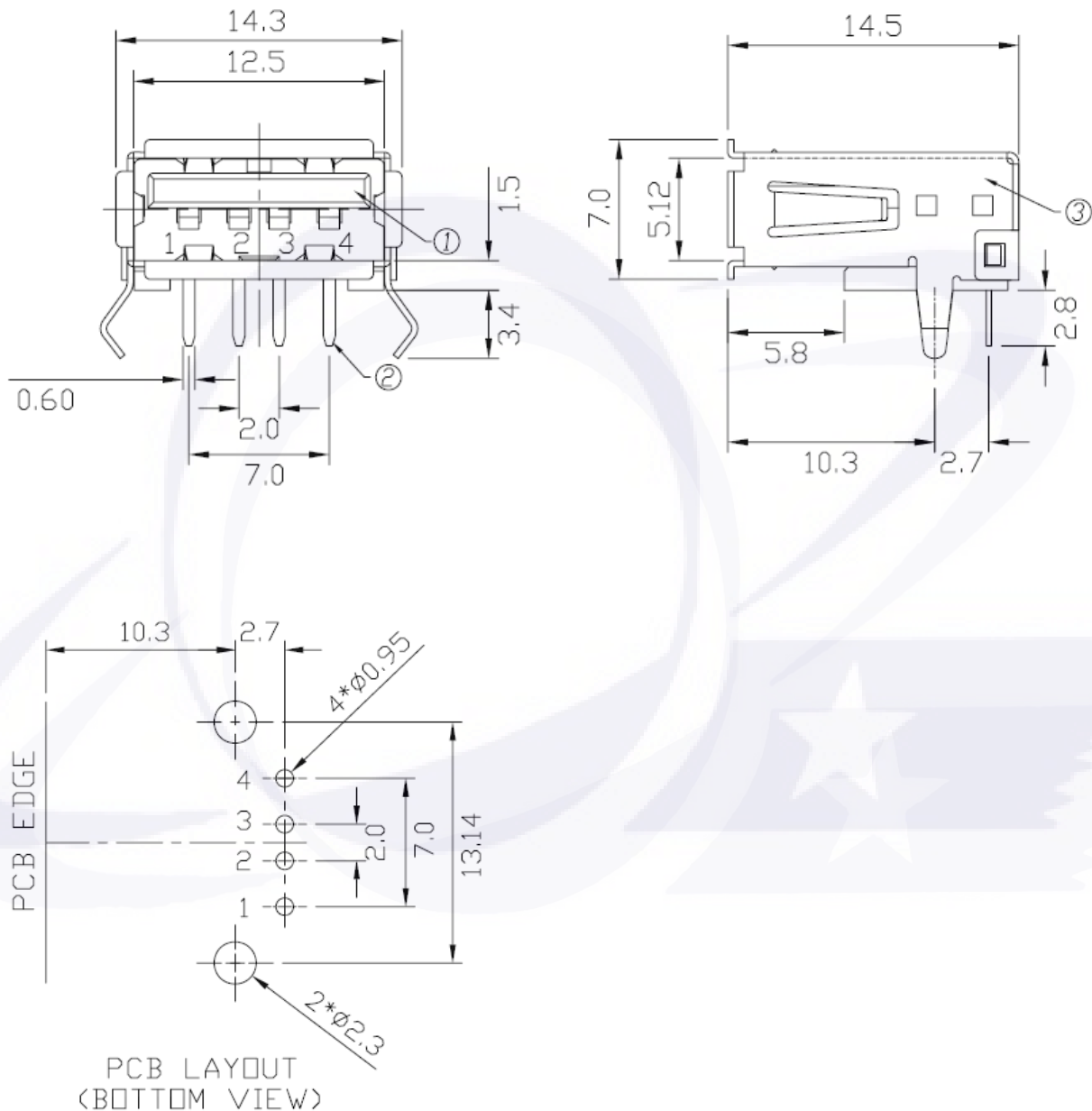
## USB CONNECTOR, FOR PCB, A TYPE, FEMALE, 4 PINS, DIP, RIGHT ANGLE

### Material and Finish

1. Housing: PBT G.F., White
2. Pin term: Phosphor Bronze, T=0.25, Gold/Tin Plated
3. Shell: Brass, T=0.3, Tin plated

### Electrical

Contact Resistance: 30M ohms Max.  
 Insulation Resistance: 1000M ohms Min. At 500V DC.  
 Rated Voltage and Current: 1.5A at 250V AC Min  
 Dielectric Withstanding Voltage: 750V AC for 1 minute.  
 Durability( Life Test): 1500 cycles  
 Insertion Force: 35 Newton Max.  
 Extraction Force: 10 Newton Min.



Series-	Type	Style	No. Pins	Angle	Deck	Color	Plating	Packing-	Option-	Status-
UP-	1- [A] A TYPE	[2] FEMALE	4	[R] 90°/DIP	[1] SINGLE DECK	[1] WHITE	[T1] SELECTIVE GOLD PLATED 1u" [T30] SELECTIVE GOLD PLATED 30u"	[G] BAG [X] BOX [R] REEL [U] TUBE [Y] TRAY		[R]RoHS

**USB CONNECTOR FOR PCB A TYPE FEMALE 4 PINS DIP RIGHT ANGLE LOW PROFILE**
**Material and Finish**

Insulator: High temperature Thermoplastic with g.f, UL 94V-0  
 Contact: Copper Alloy  
 Shell: Copper Alloy

**Electrical**

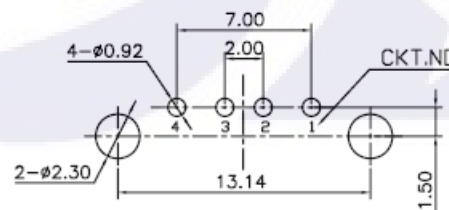
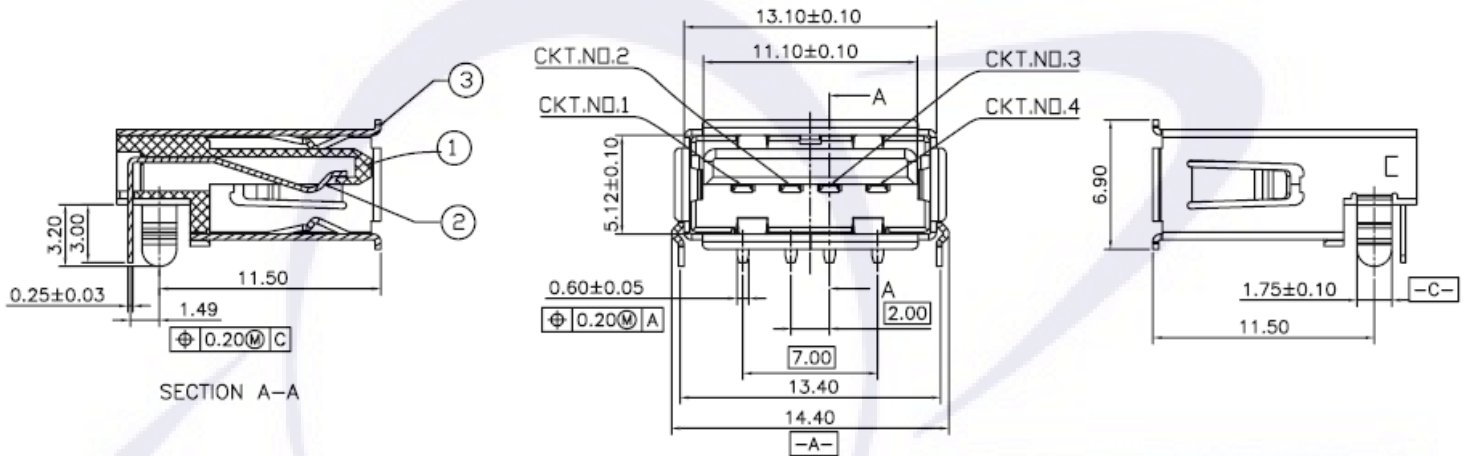
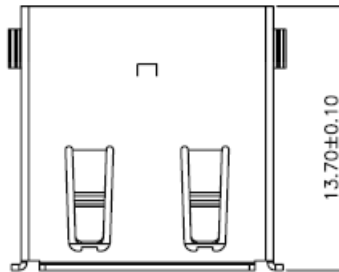
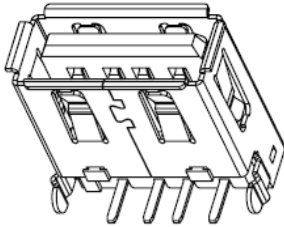
Current Rating: 1.0A Max  
 Dielectric Withstanding Voltage: 750V (AC)  
 Contact Resistance: 30m ohms Max  
 Insulation Resistance: 1000M ohms Min

**Environmental**

Temperature Range: -40°C ~ +60°C

**Mechanical**

Mating Force: 3.5 Kgf Max  
 Unmating Force: 1.0 Kgf Min



P.C.B LAYOUT  
 TOLERANCE:±0.10

Series-	Type	Style	No. Pins	Angle	Deck	Color	Plating	Packing-	Option-	Status-
UP-	2- [A] A TYPE	[2] FEMALE	4	[R] 90°/DIP	[1] SINGLE DECK	[0] BLACK [1] WHITE	[T1] SELECTIVE GOLD PLATED 1u" [T30] SELECTIVE GOLD PLATED 30u"	[G] BAG [X] BOX [R] REEL [U] TUBE [Y] TRAY		[R]RoHS

**USB CONNECTOR FOR PCB A TYPE FEMALE 4 PINS DIP RIGHT ANGLE LOW PROFILE**
**Material and Finish**

Housing: PBT G.F., WHITE

Pin Term.: Phos. Bronze T=0.25, Gold/Tin plated

Shell: Brass T:0.3, Nickel plated

**Electrical**

Contact Resistance: 30m ohms Max

Insulation Resistance: 1000M ohms Min. At 500VDC

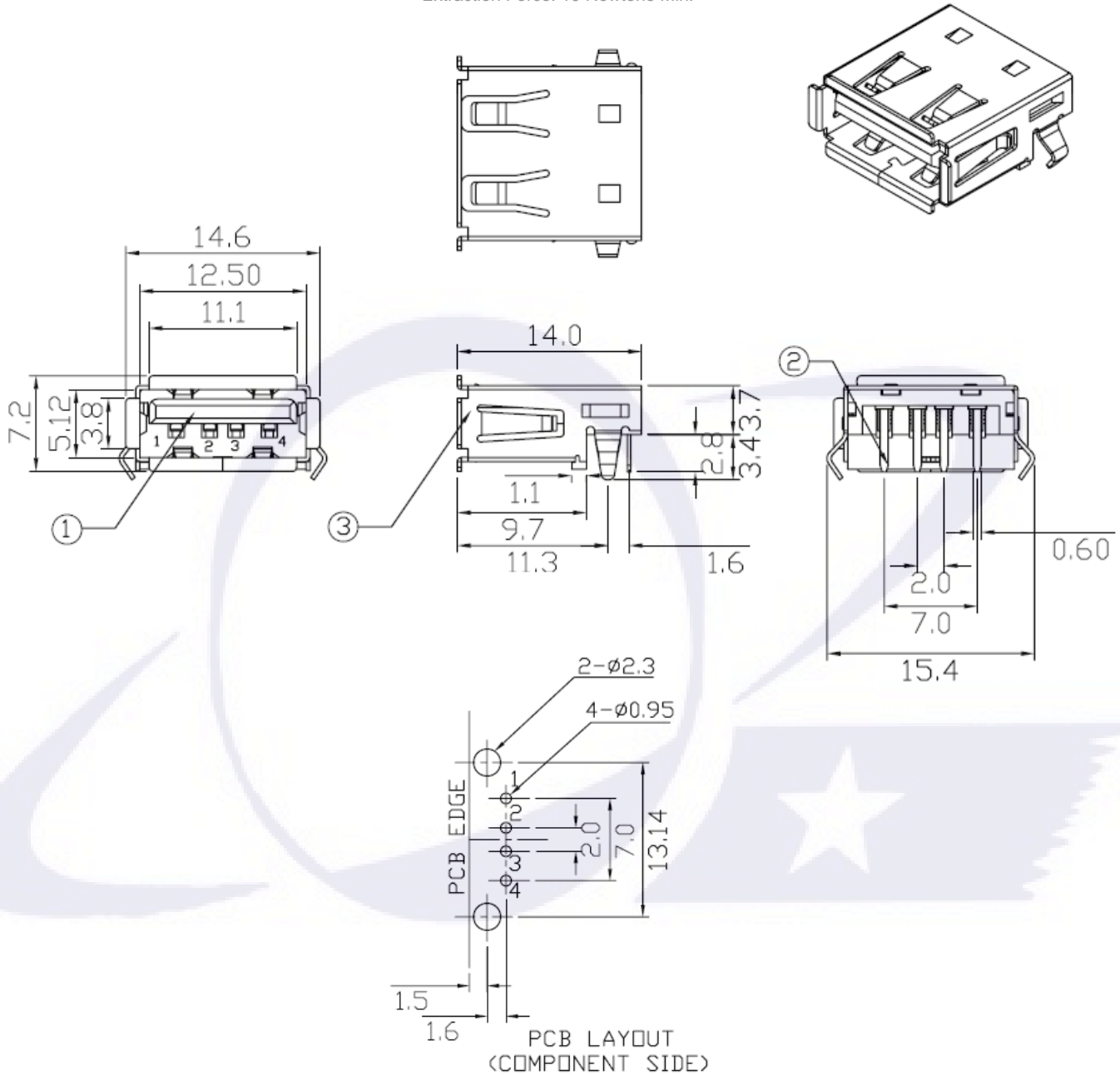
Rated Voltage and Current: 1.5A at 250VAC Min.

Dielectric Withstanding Voltage: 750VAC (rms) for 1 Minute

Durability (Life Test): 1500 Cycles

Insertion Force: 35 Newton Max.

Extraction Force: 10 Newton Min.



Series-	Type	Style	No. Pins	Angle	Deck	Color	Plating	Packing-	Option-	Status-
UP-	3- [A] A TYPE	[2] FEMALE	4	[R] 90°DIP	[1] SINGLE DECK	[1] WHITE	[T1] SELECTIVE GOLD PLATED 1u"	[G] BAG [X] BOX [R] REEL [U] TUBE [Y] TRAY		[R]RoHS

**USB CONNECTOR, FOR PCB, A TYPE, FEMALE, 4 PINS, DIP, RIGHT ANGLE, SHORT TYPE**
**Material**

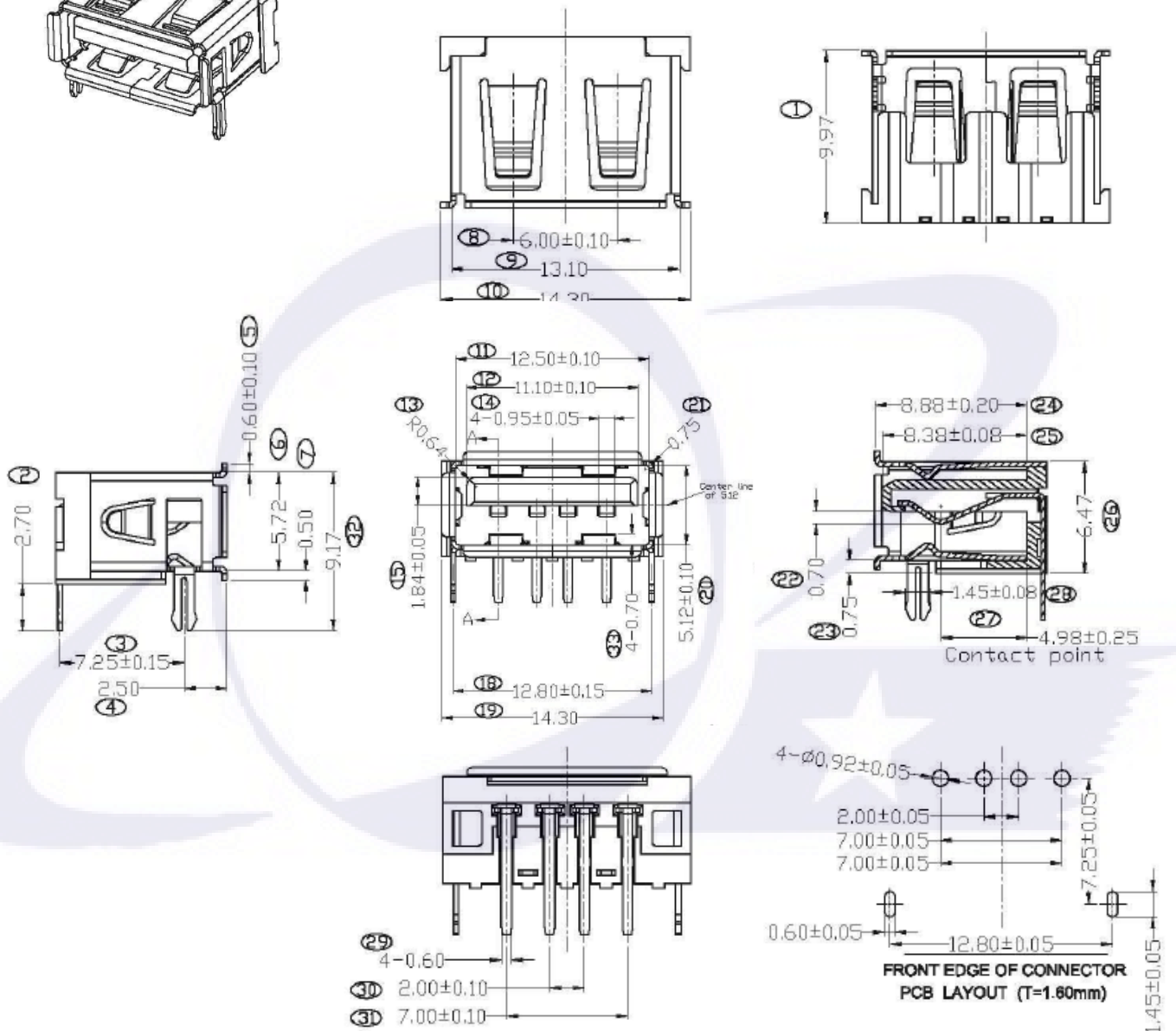
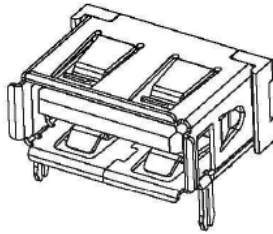
Housing: PA66, BLACK UL94V-0  
 Terminal: C5191R-H, T=0.25  
 Shell: C5191R-H, T=0.30

**Electrical**

Contact Resistance: 30 ohms Max.  
 Dielectric Withstanding Voltage: 500V AC for 1 minute  
 Insulation Resistance: 1000 ohms Min

**Mechanical**

Insertion Force: 35N (3.57KGF) Max  
 Extraction Force: 10-35N (1.02-3.57 KGF) Min  
 Durability: 1500 cycle extraction force: 10~35N  
 5000 cycles Min  
 5000 cycles extraction force: 3~35N



Series-	Type	Style	No. Pins	Angle	Deck	Color	Plating	Packing-	Option-	Status-
UP	3-	[A] A TYPE [2] FEMALE	4	[R] 90°/DIP	[1] SINGLE DECK	[0] BLACK [4] BLUE	[T1] SELECTIVE GOLD PLATED 1u" [T30] SELECTIVE GOLD PLATED 30u"	[G] BAG [X] BOX [R] REEL [U] TUBE [Y] TRAY		[R]RoHS

**USB CONNECTOR, FOR PCB, A TYPE, FEMALE, 4 PINS, DIP, RIGHT ANGLE, SHORT TYPE**
**Material**

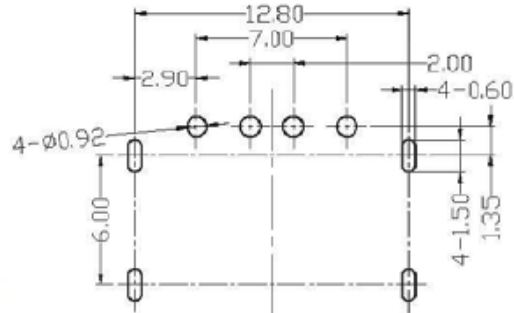
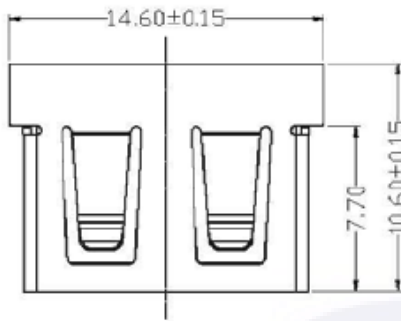
Insulation Material: Thermoplastic  
 Shell: Copper Alloy, T:0.30mm; Nickel  
 Terminal: Copper Alloy, T:0.25mm; Gold/Tin plated

**Electrical**

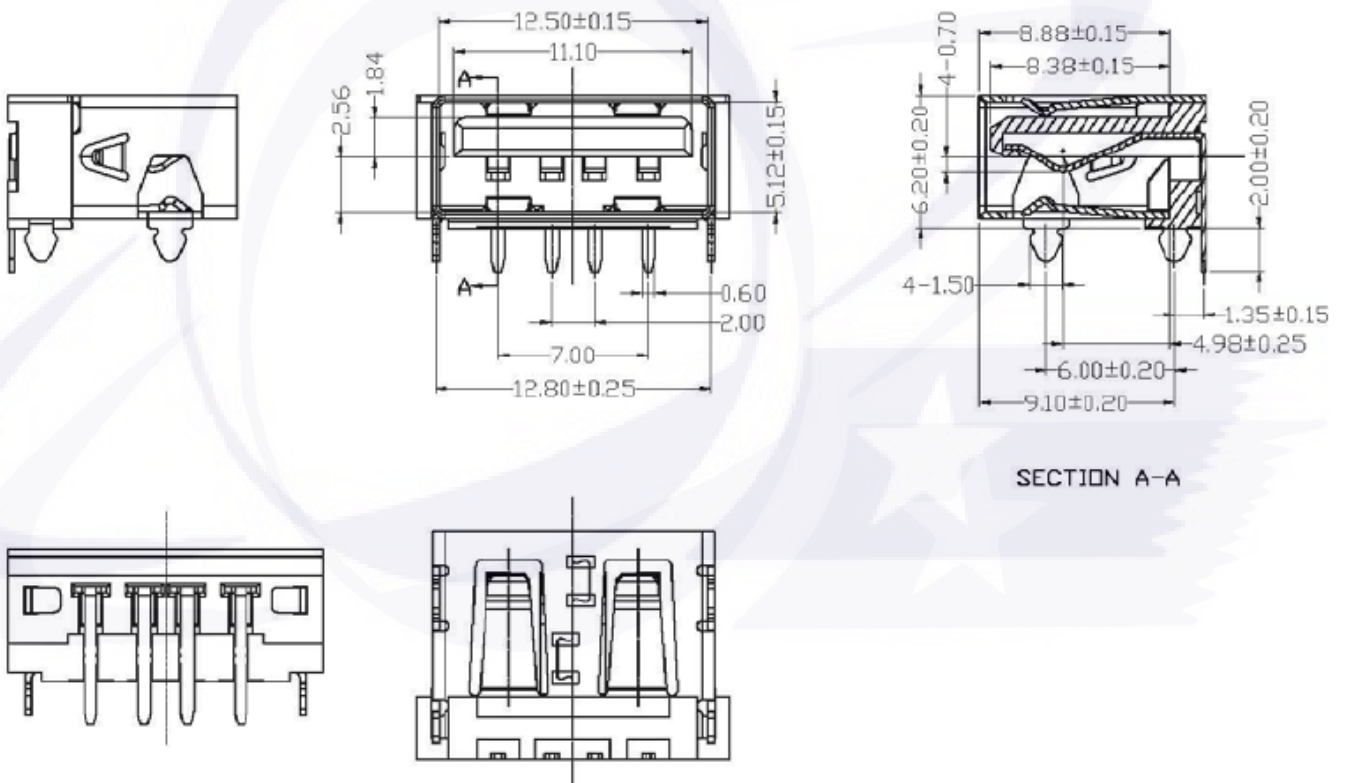
Insulation Resistance: 1000M ohms Min.  
 Contact Resistance: 30m ohms Max  
 Withstanding Voltage: 500V AC

**Mechanical Characteristics:**

Insertion Force: 3.57Kgf Max  
 Extraction Force: 1.02Kgf Min



**RECOMMENDED P. C. B LAYOUT**  
 PCB THICKNESS=0.60MM (TOLERANCE=±0.05)



**SECTION A-A**

Series-	Type	Style	No. Pins	Angle	Deck	Color	Plating	Packing-	Option-	Status-
UP	2-	[A] A TYPE	[2] FEMALE	4	[R] 90°/DIP	[1] SINGLE DECK	[0] BLACK [4] BLUE	[T1] SELECTIVE GOLD PLATED 1u" [T30] SELECTIVE GOLD PLATED 30u"	[G] BAG [X] BOX [R] REEL [U] TUBE [Y] TRAY	[R]RoHS

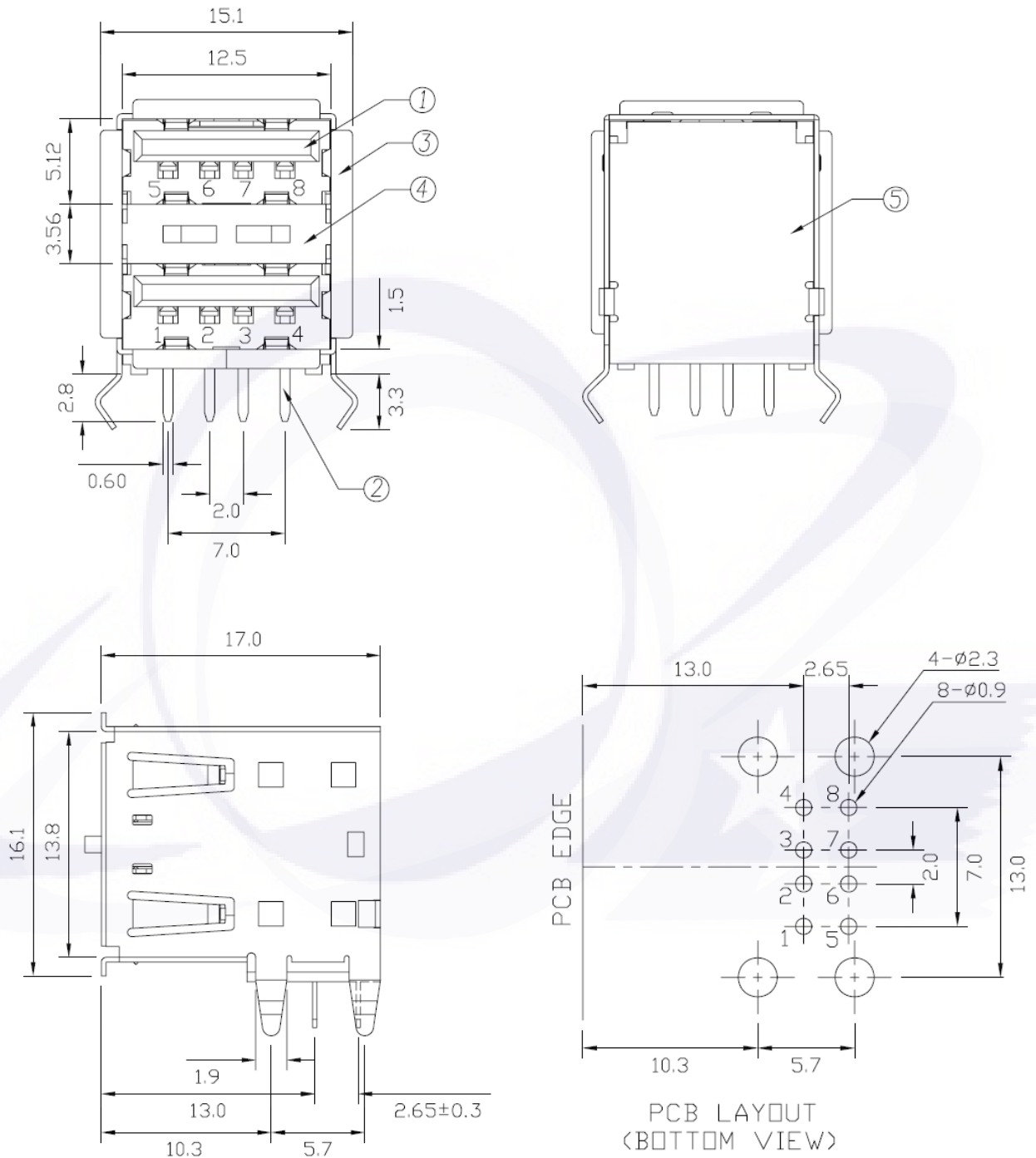
## USB CONNECTOR, FOR PCB, A TYPE, FEMALE, 8 PINS, DIP, RIGHT ANGLE, DUAL STACKS

### Material and Finish

1. Housing: Nylon PA9T, G.F., BLACK
2. Pin term: Phosphor Bronze, T=0.25, Gold/Tin Plated
3. Shell: Brass, T=0.3, Tin plated
4. Spring clip: Brass, T=0.3, Tin plated
5. Rear shell: SPCC, T=0.3, Nickel plated

### Electrical

Contact Resistance: 30M ohms Max.  
 Insulation Resistance: 1000M ohms Min. At 500V DC.  
 Rated Voltage and Current: 1.5A at 250V AC Min  
 Dielectric Withstanding Voltage: 750V AC for 1 minute.  
 Durability( Life Test): 1500 cycles  
 Insertion Force: 35 Newton Max.  
 Extraction Force: 10 Newton Min.

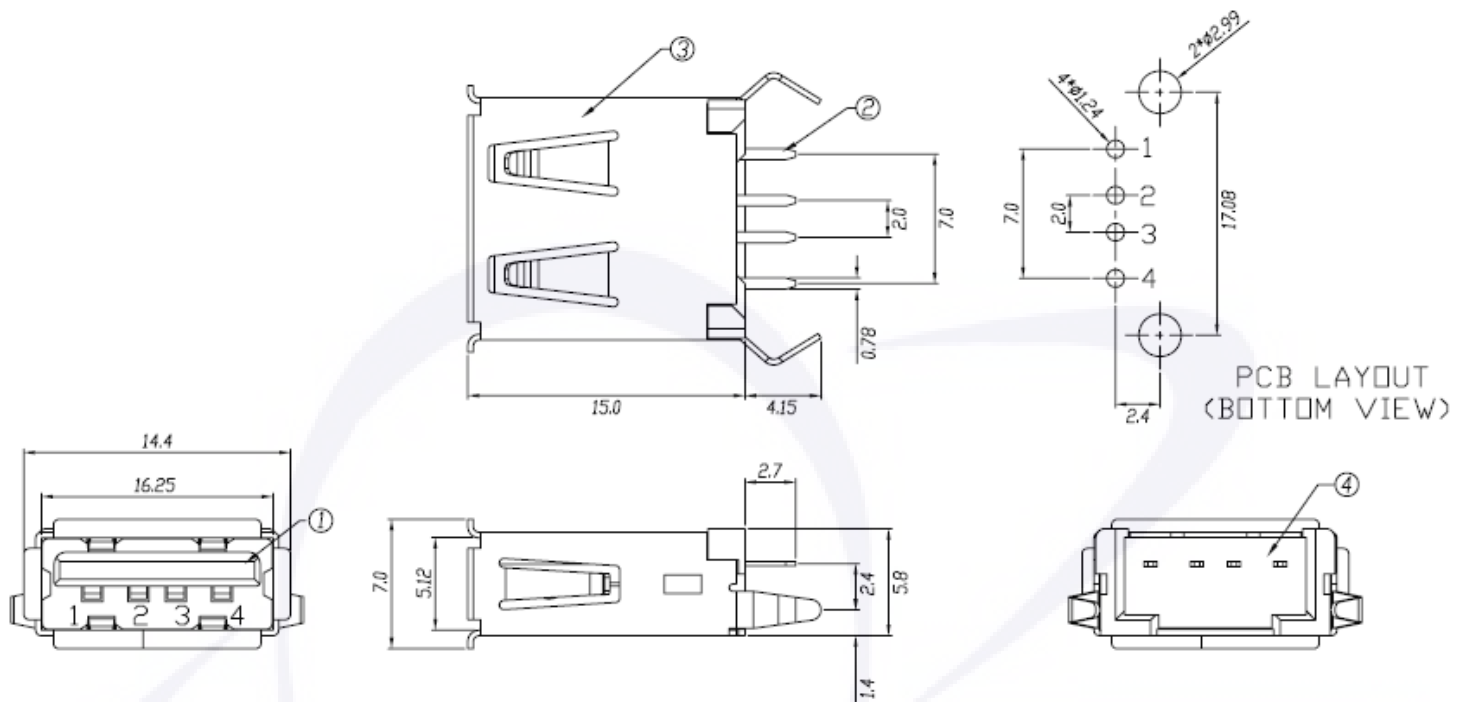


Series-	Type	Style	No. Pins	Angle	Deck	Color	Plating	Packing-	Option-	Status-
UP- FOR PCB	1- [A] A TYPE	[2] FEMALE	8	[R] 90°/DIP	[2] DUAL DECKS	[0] BLACK	[T1] SELECTIVE GOLD PLATED 1u" [T30] SELECTIVE GOLD PLATED 30u"	[G] BAG [X] BOX [R] REEL [U] TUBE [Y] TRAY		[R]RoHS

## USB CONNECTOR FOR PCB A TYPE FEMALE 4 PINS DIP TOP ENTRY

### Specification

Contact Resistance: 30m Ohms Max.  
 Insulation Resistance: 1000M Ohm Min. at 500VDC  
 Rated Voltage and Current: 1.5A at 250VAC Min.  
 Dielectric Withstanding Voltage: 750VAC for 1 Min.  
 Durability (Life test): 1500 Cycles  
 Insertion Force: 35 Newton Max.  
 Extraction Force: 10 Newton Min.



NO.	NAME	MATERIAL	FINISH	Q'TY	REMARK
1	HOUSING	PBT G.F.	WHITE	1	
2	TERMINAL	PHOS. BRONZE T:0.25	GOLD/TIN PLATED	4	Gold:1~3u'; NI:40~60u'; TIN:120u' (100% pure Tin of lead free plating)
3	SHELL	BRASS T:0.3	NICKEL PLATED	1	Ni: 80~120U'
4	BOTTOM COVER	PBT G.F.	WHITE	1	

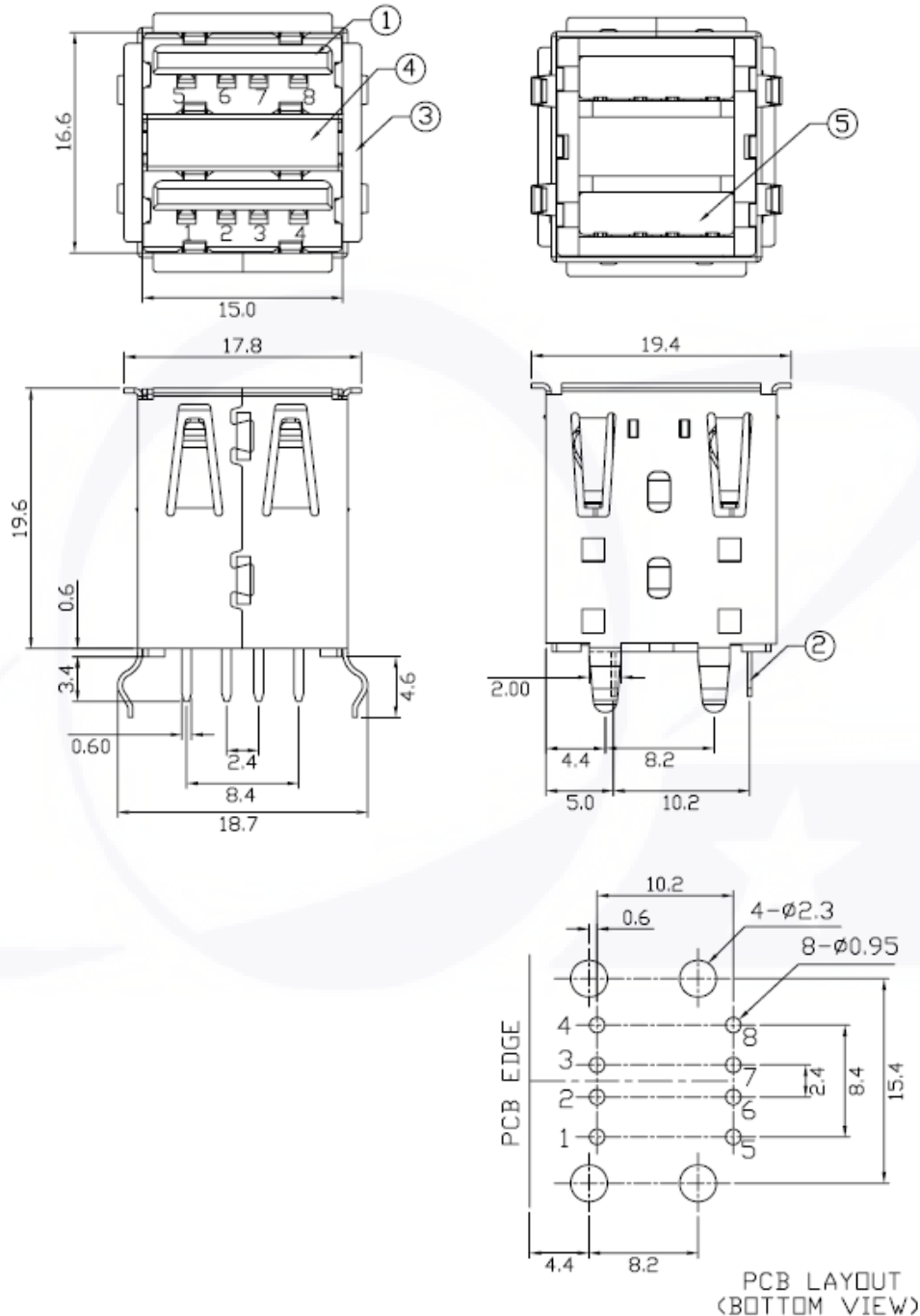
Series-	Type	Style	No. Pins	Angle	Deck	Color	Plating
UP-	1-	[A] A TYPE [2] FEMALE	4	[S] 180°/DIP	[1] SINGLE DECK	[1] WHITE	[T1] SELECTIVE GOLD PLATED 1u"

FOR PCB

## USB CONNECTOR FOR PCB A TYPE FEMALE 8 PINS DIP TOP ENTRY DUAL STACKS

### Specification

Contact Resistance: 30m Ohms Max.  
 Insulation Resistance: 1000M Ohm Min. at 500VDC  
 Rated Voltage and Current: 1.5A at 250VAC Min.  
 Dielectric Withstanding Voltage: 750VAC for 1 Min.  
 Durability (Life test): 1500 Cycles  
 Insertion Force: 35 Newton Max.  
 Extraction Force: 10 Newton Min.



Series-	Type	Style	No. Pins	Angle	Deck	Color	Plating
UP- FOR PCB	1- [A] A TYPE	[2] FEMALE	8	[S] 180°/DIP	[2] DUAL DECKS	[0] BLACK [1] WHITE	[T1] SELECTIVE GOLD PLATED 1 $\mu$ "

## USB CONNECTOR, FOR PCB, A TYPE, MALE, 4 PINS, SMT, REVERSE CONTACT

### Material and Finish

Housing: Nylon PA9T G.F., Black

Terminal: Brass EH T:0.25mm, Gold/Tin plated  
(Gold 1~3u", Ni 40~60u", Tin 120u")

Shell: Brass T:0.3mm, Nickel plated ( Ni 80~120u")

### Specification:

Contact Resistance: 30 ohms Max.

Insulation Resistance: 1000M ohms Min. at 500V DC.

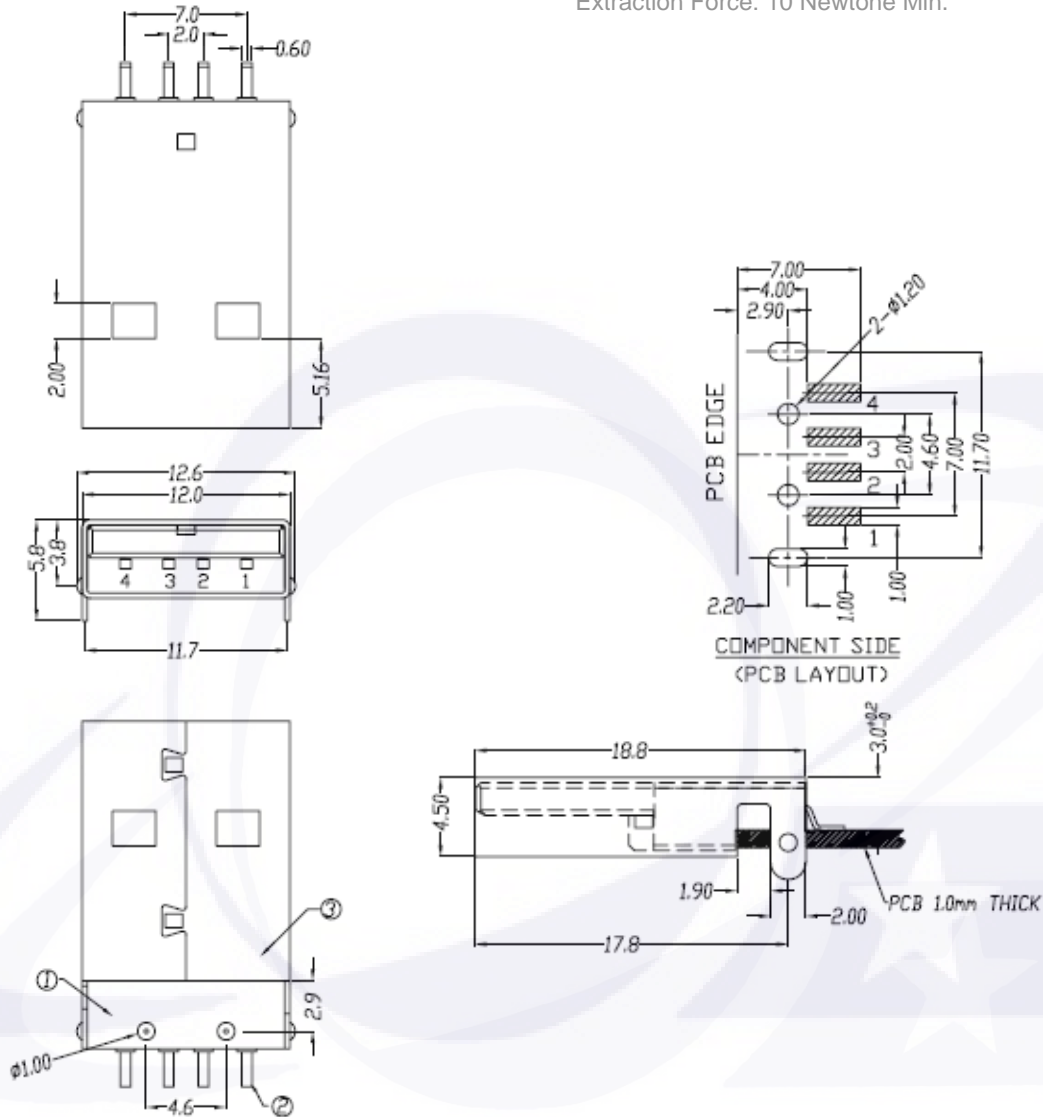
Rated Voltage and Current: 1.5A at 250V AC Min.

Dielectric Withstanding Voltage: 750V AC (rms) for 1 Minute  
500V AC (rms) for 1 Minute

Durability(Life Test): 1500 Cycles.

Insertion Force: 35 Newton Max.

Extraction Force: 10 Newton Min.

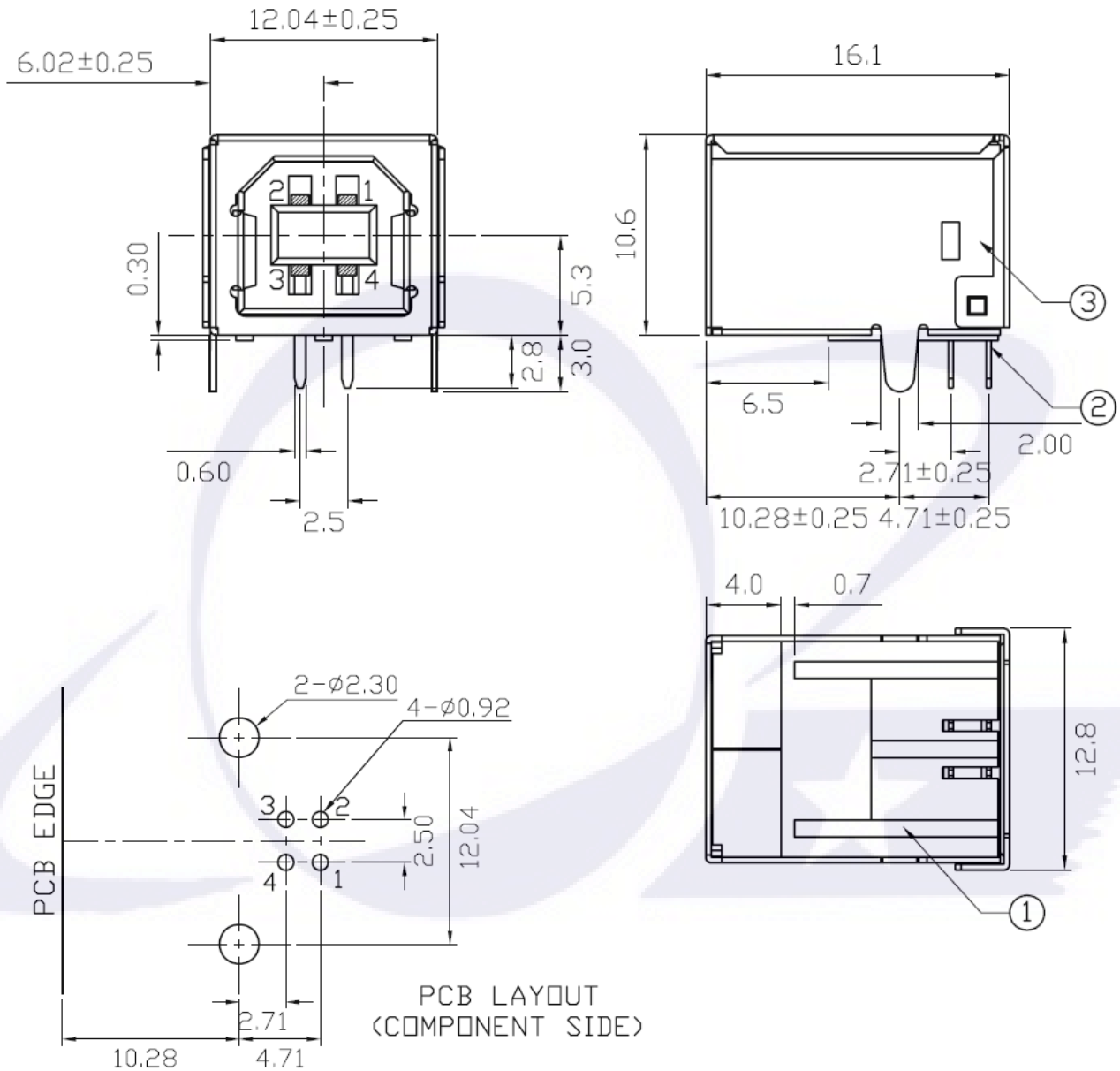


Series-	Type	Style	No. Pins	Insulator Color	Plating	Packing-	Option-	Status-
UP-	1- [A] A TYPE	[1] MALE	4	[0] BLACK	[T1] SELECTIVE GOLD PLATED 1u" [T30] SELECTIVE GOLD PLATED 30u"	[G] BAG [X] BOX [R] REEL [U] TUBE [Y] TRAY		[R]RoHS

## USB CONNECTOR, FOR PCB, B TYPE, FEMALE, 4 PINS, DIP, RIGHT ANGLE

### Specification

Contact Resistance: 30m ohms Max.  
 Insulation Resistance: 1000M ohm Min. at 500V DC.  
 Rated Voltage and Current: 1.5A at 250V AC Min.  
 Dielectric Withstanding Voltage: 750V AC(rms) for 1 Minute.  
 Durability (Life Test): 1500 Cycles  
 Insertion Force: 35 Newton Max.  
 Extraction Force: 10 Newton Min.



Series-	Type	Style	No. Pins	Angle	Deck	Color	Plating
UP-	1- [B] B TYPE	[2] FEMALE	4	[R] 90°DIP	[1] SINGLE DECK	[0] BLACK [1] WHITE	[T1] SELECTIVE GOLD PLATED 1u" [T30] SELECTIVE GOLD PLATED 30u"

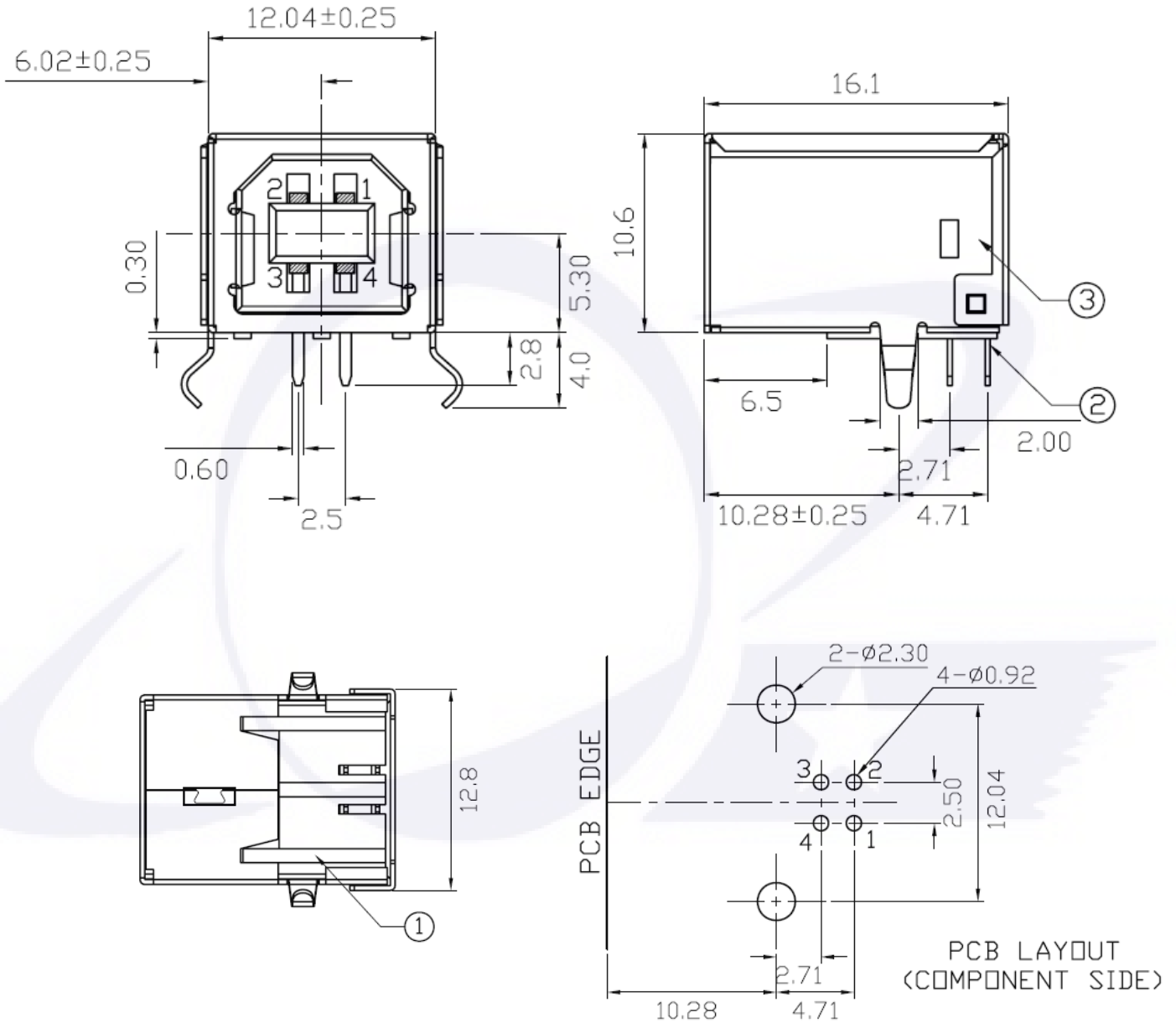
**USB CONNECTOR, FOR PCB, B TYPE, FEMALE, 4 PINS, DIP, RIGHT ANGLE**

**Material and Finish**

- 1. Housing: PBT G.F., White
- 2. Pin term: Phosphor Bronze, T=0.25, Gold/Tin Plated
- 3. Shell: Brass, T=0.3, Tin plated

**Electrical**

Contact Resistance: 30M ohms Max.  
 Insulation Resistance: 1000M ohms Min. At 500V DC.  
 Rated Voltage and Current: 1.5A at 250V AC Min  
 Dielectric Withstanding Voltage: 750V AC for 1 minute.  
 Durability( Life Test): 1500 cycles  
 Insertion Force: 35 Newton Max.  
 Extraction Force: 10 Newton Min.



Series-	Type	Style	No. Pins	Angle	Deck	Color	Plating	Packing-	Option-	Status-
UP-	2- [B] B TYPE	[2] FEMALE	4	[R] 90°DIP	[1] SINGLE DECK	[0] BLACK [1] WHITE	[T1] SELECTIVE GOLD PLATED 1u" [T30] SELECTIVE GOLD PLATED 30u"	[G] BAG [X] BOX [R] REEL [U] TUBE [Y] TRAY		[R]RoHS

## USB CONNECTOR, FOR PCB, B TYPE, FEMALE, 4 PINS, DIP, TOP ENTRY

### Specification

Contact Resistance: 30m ohms Max.

Insulation Resistance: 1000M ohm Min. at 500V DC.

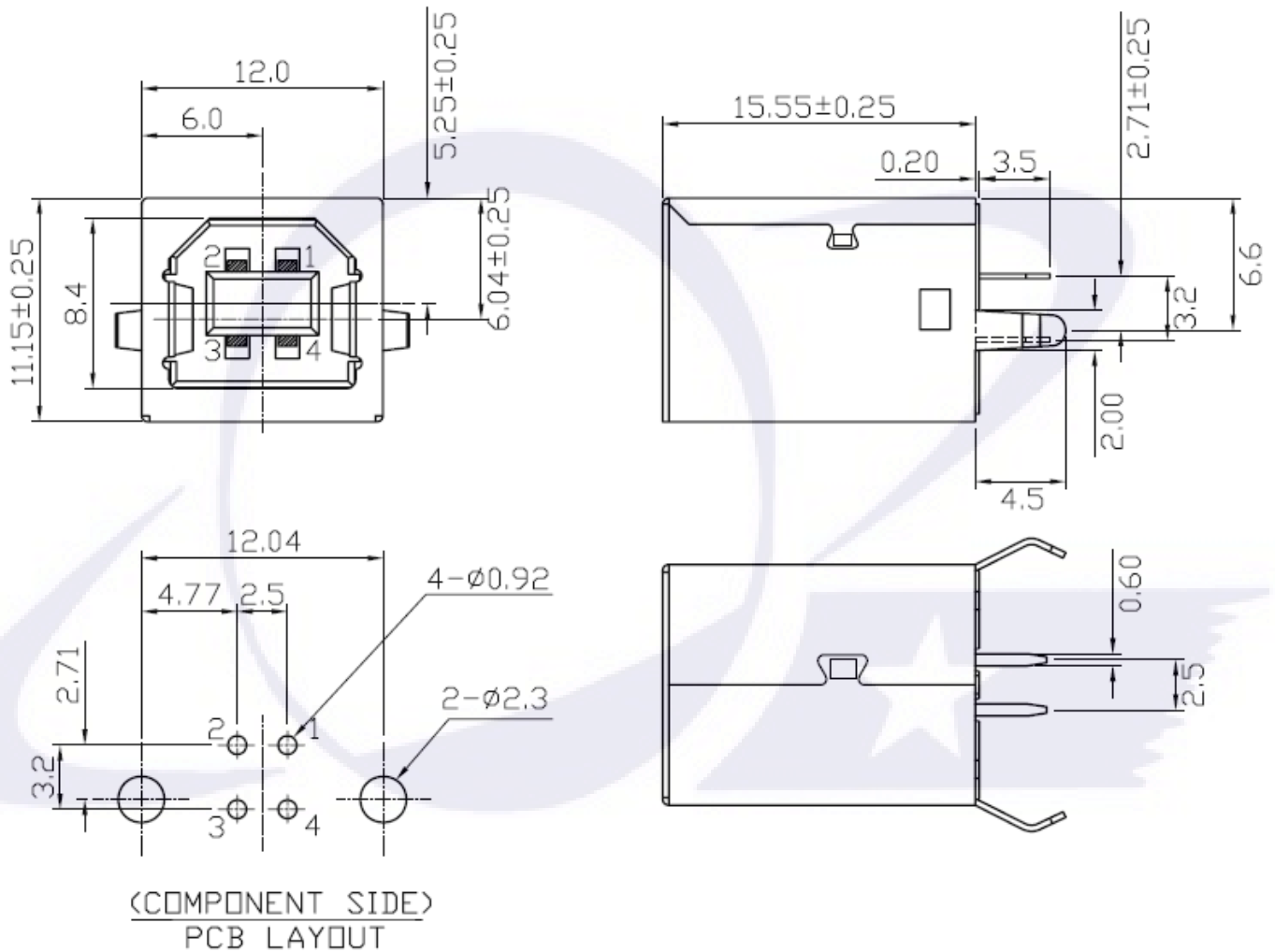
Rated Voltage and Current: 1.5A at 250V AC Min.

Dielectric Withstanding Voltage: 750V AC(rms) for 1 Minute.

Durability (Life Test): 1500 Cycles

Insertion Force: 35 Newton Max.

Extraction Force: 10 Newton Min.



Series-	Type	Style	No. Pins	Angle	Deck	Color	Plating
UP-	1- [B] B TYPE	[2] FEMALE	4	[S] 180°/DIP	[1] SINGLE DECK	[0] BLACK [1] WHITE	[T1] SELECTIVE GOLD PLATED 1µ"

## MICRO USB CONNECTOR, FOR CABLE, B TYPE, MALE, 5 PINS

### Specification

Contact Resistance:

(1) 30m Ohms Max. at 100mA

(2) 10,000 Cycles After: 40m ohms Max. at 100mA

Rated Voltage: AC 30V

Contact Current Rating:

(1) Signal Line: 1A/Pin (NO. 1 to 5)

(2) 2-Line for Power: 1.8A/Pin (NO.1 and 5), 0.5A/Pin (NO. 2 to 4)

Insulation Resistance: 100M Ohms Min. At 500V DC

Dielectric Withstanding Voltage: 100V AC for 1 Minute

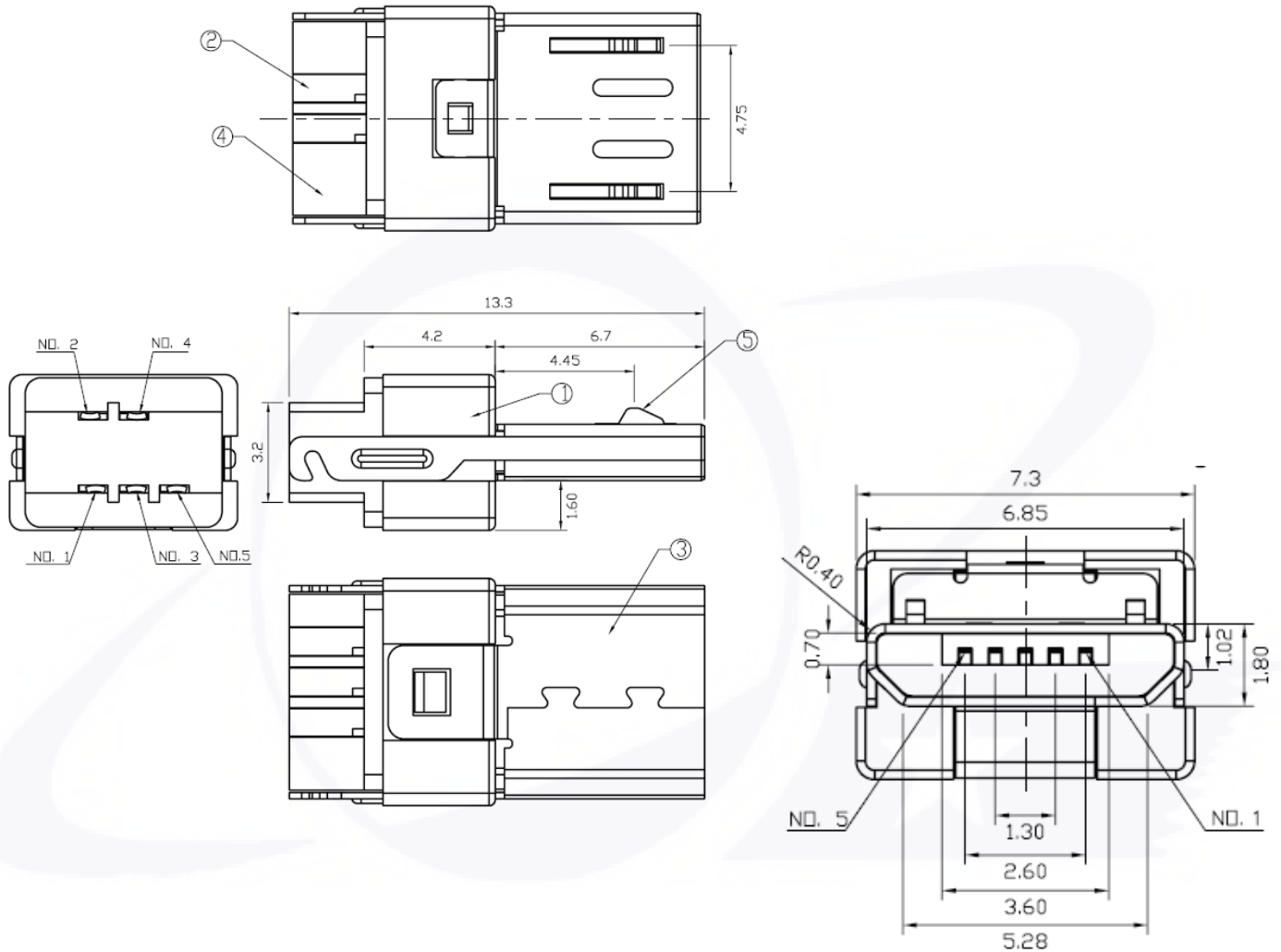
Durability (Life Test): 10,000 Cycles

Insertion Force: 35 Newton Max.

Extraction Force: 8 Newton Min.

Operating Temperature: -30°C to +80°C

Solderability: 260°C± 5°C; 5 Sec.



Series-	Type	Style	No. Pins	Insulator Color	Plating	Packing-	Status-
UMC	1- [B] B TYPE	[1] MALE	5	[0] BLACK	[T1] SELECTIVE GOLD PLATED 1u"	[G] BAG [X] BOX [R] REEL [U] TUBE [Y] TRAY	[R]RoHS

## MICRO USB CONNECTOR, FOR CABLE, B TYPE, MALE, 5 PINS

### Specification

#### Contact Resistance:

- (1) 30m Ohms Max. at 100mA
- (2) 10,000 Cycles After: 40m ohms Max. at 100mA

#### Rated Voltage: AC 30V

#### Contact Current Rating:

- (1) Signal Line: 1A/Pin (NO. 1 to 5)
- (2) 2-Line for Power: 1.8A/Pin (NO.1 and 5), 0.5A/Pin (NO. 2 to 4)

#### Insulation Resistance: 100M Ohms Min. At 500V DC

#### Dielectric Withstanding Voltage: 100V AC for 1 Minute

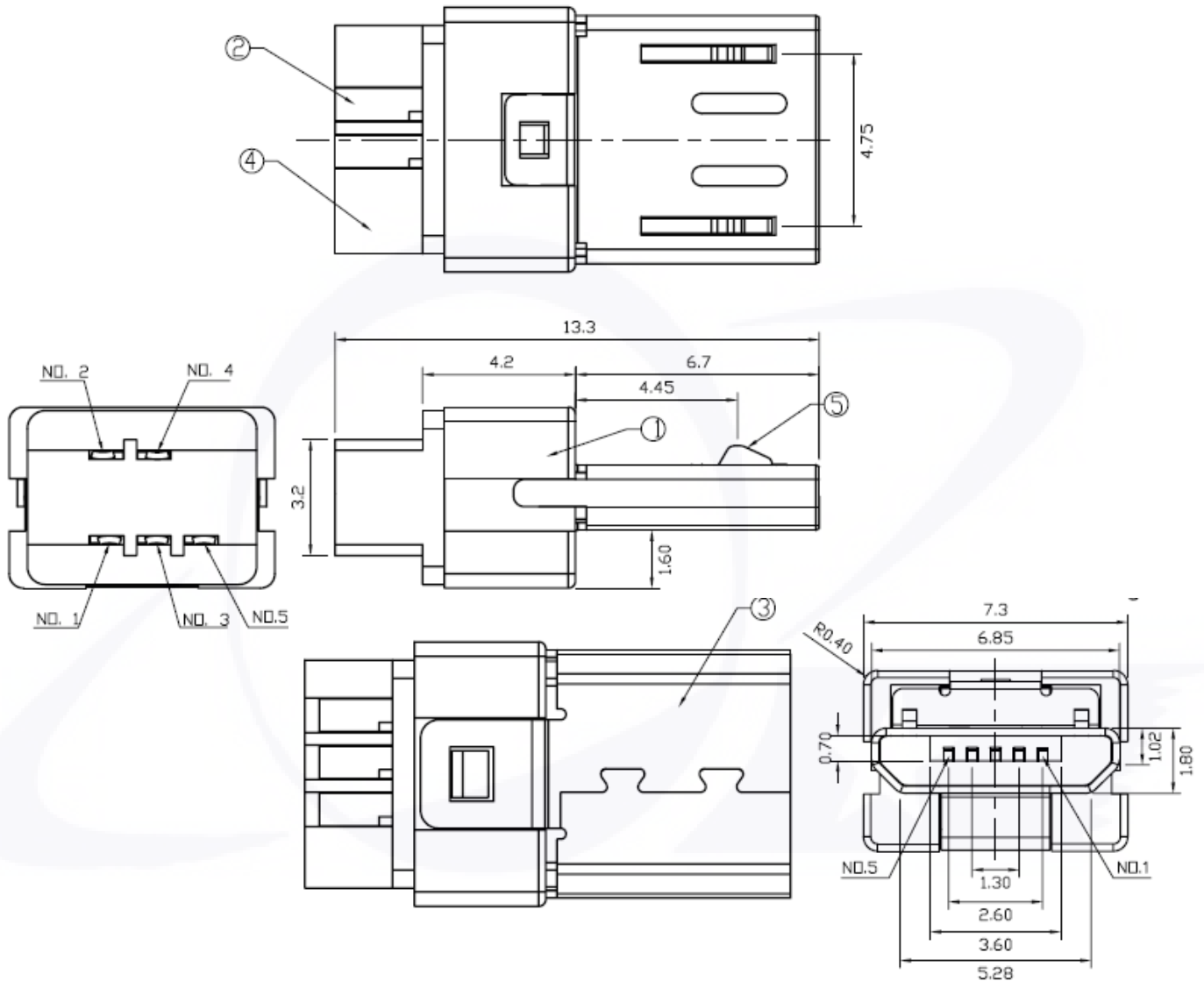
#### Durability (Life Test): 10,000 Cycles

#### Insertion Force: 35 Newton Max.

#### Extraction Force: 8 Newton Min.

#### Operating Temperature: -30°C to +80°C

#### Solderability: 260°C± 5°C; 5 Sec.

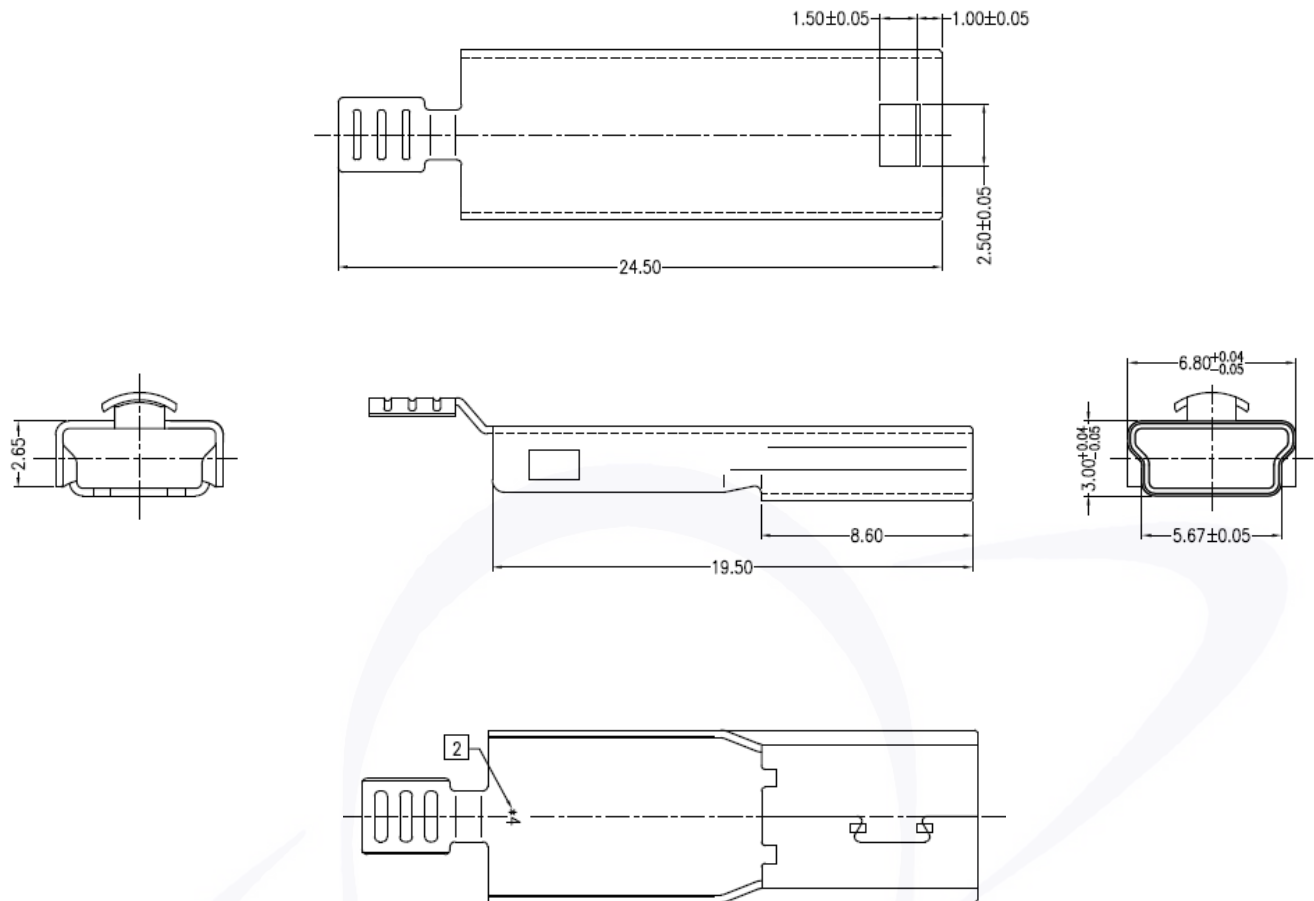


Series-	Type	Style	No. Pins	Insulator Color	Plating	Packing-	Status-
UMC	2- [B] B TYPE	[1] MALE	5	[0] BLACK	[T1] SELECTIVE GOLD PLATED 1u"	[G] BAG [X] BOX [R] REEL [U] TUBE [Y] TRAY	[R]RoHS

# MINI USB CONNECTOR, FOR CABLE, B TYPE, MALE, 5 PINS, FRONT SHELL

## Material

Steel ( T=0.30)



Series-	Type	Style	No. Pins	Insulator Color	Plating	Packing-	Option-	Status-
UMFH-	1- [B] B TYPE	[1] MALE	5	[0] BLACK	[T1] SELECTIVE GOLD PLATED 1u" [T30] SELECTIVE GOLD PLATED 30u"	[G] BAG [X] BOX [R] REEL [U] TUBE [Y] TRAY		[R]RoHS

# MINI USB CONNECTOR, FOR CABLE, B TYPE, MALE, 5 PINS, HOUSING+TERMINAL

## Material and Finish

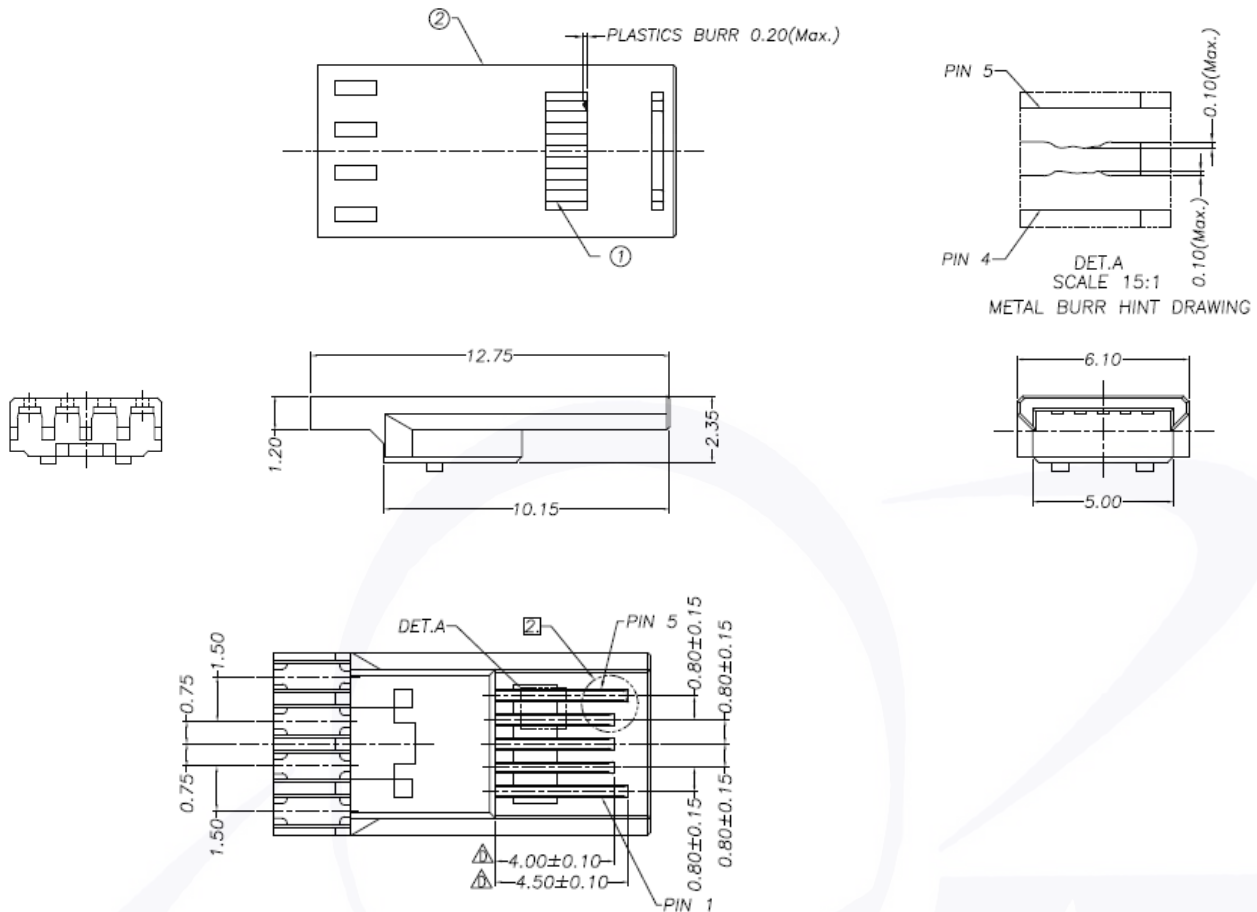
Housing: High Thermoplastics, G.F. 30%, UL94V-0, Black

Terminal: Copper Alloy (T=0.25)

Contact area: Au 30u"

Solder area: Sn-Pb 120u"

Under-plating: Ni 50u"

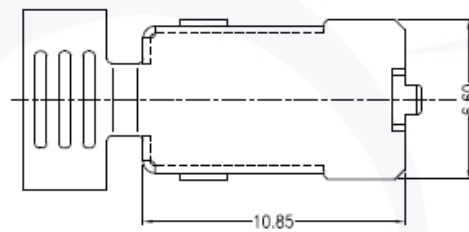
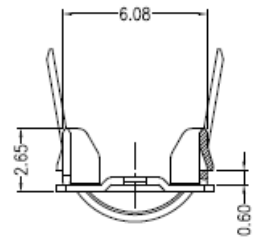
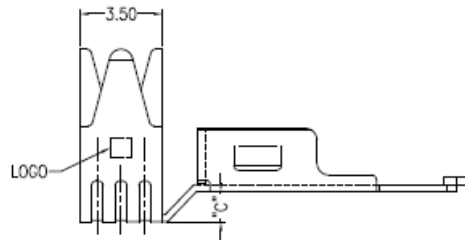
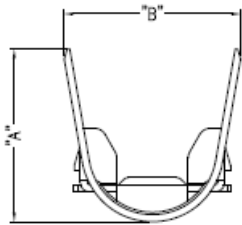


Series-	Type	Style	No. Pins	Insulator Color	Plating	Packing-	Option-	Status-
UMHT-	1- [B] B TYPE	[1] MALE	5	[0] BLACK	[T1] SELECTIVE GOLD PLATED 1u" [T30] SELECTIVE GOLD PLATED 30u"	[G] BAG [X] BOX [R] REEL [U] TUBE [Y] TRAY		[R]RoHS

# MINI USB CONNECTOR, FOR CABLE, B TYPE, MALE, 5 PINS, REAR SHELL

## Material

Steel ( T=0.30)

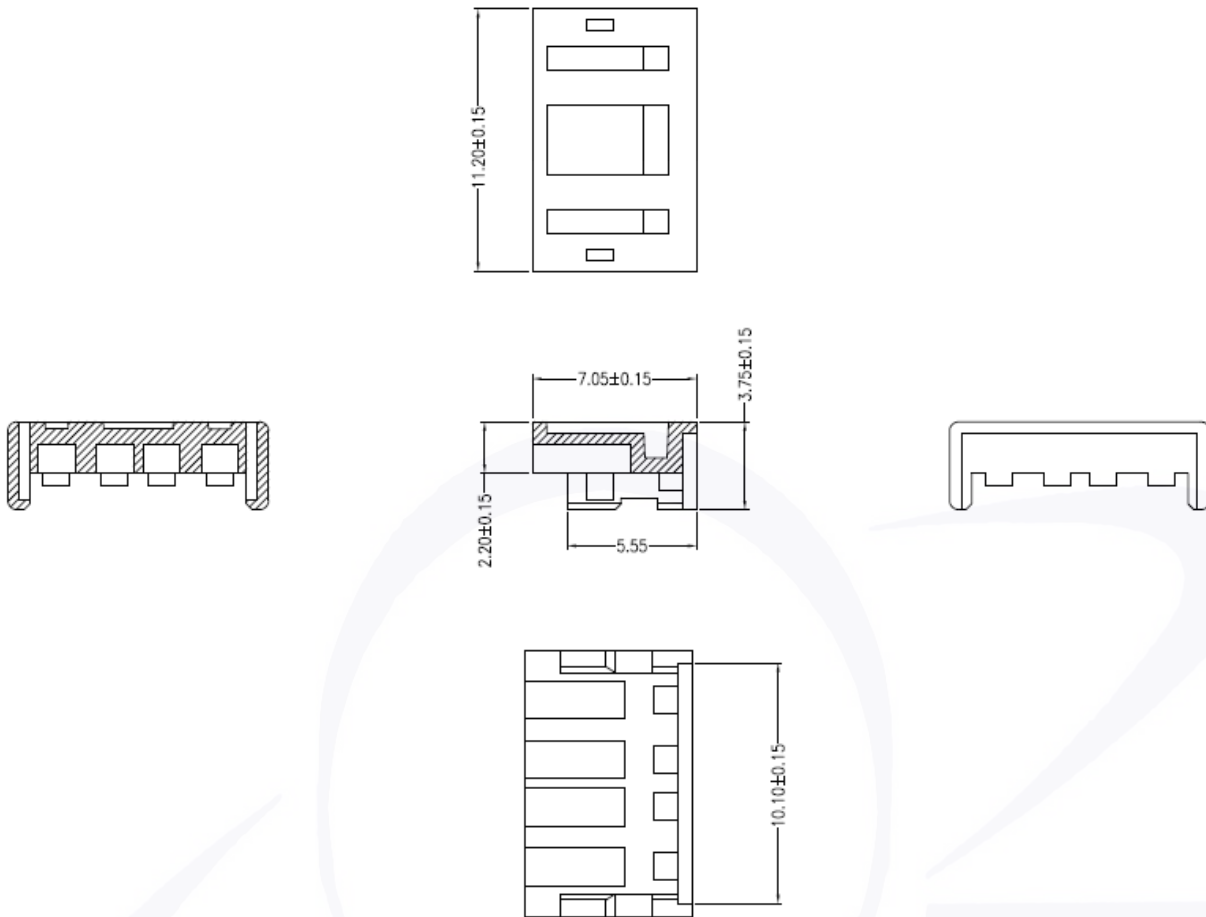


Series-	Type	Style	No. Pins	Insulator Color	Plating	Packing-	Option-	Status-
UMRH-	1- [B] B TYPE	[1] MALE	5	[0] BLACK	[T1] SELECTIVE GOLD PLATED 1u" [T30] SELECTIVE GOLD PLATED 30u"	[G] BAG [X] BOX [R] REEL [U] TUBE [Y] TRAY		[R]RoHS

## USB CONNECTOR, FOR CABLE, A TYPE, MALE, 4 PINS , COVER

### Material and Finish

Housing: PBT, UL94V-0, G.F. 30%, Black or Beige

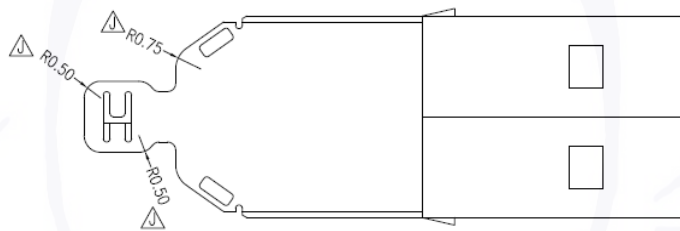
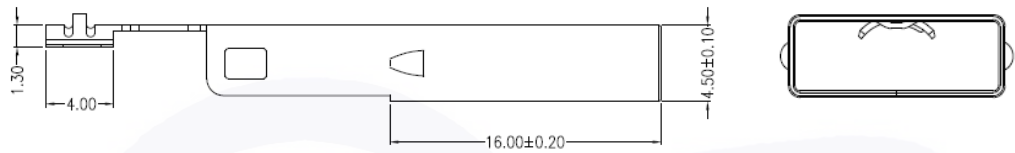
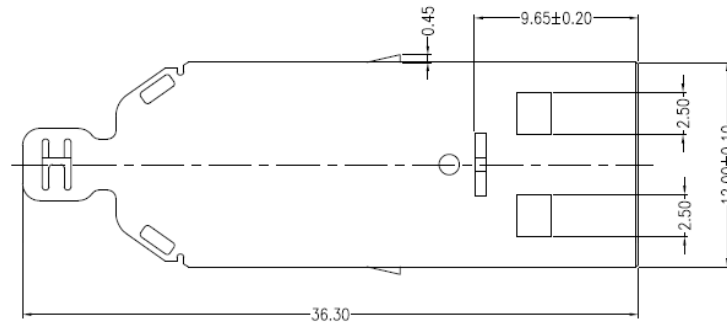


Series-	Type	Style	No. Pins	Insulator Color	Plating	Packing-	Option-	Status-
UCO-	1- [A] A TYPE	[1] MALE	4	[0] BLACK [12] BEIGE	[T1] SELECTIVE GOLD PLATED 1u" [T30] SELECTIVE GOLD PLATED 30u"	[G] BAG [X] BOX [R] REEL [U] TUBE [Y] TRAY		[R]RoHS

**USB CONNECTOR, FOR CABLE, A TYPE, MALE, 4 PINS , FRONT SHELL**

**Material**

Housing: Steel (t=0.35)



Series-	Type	Style	No. Pins	Insulator Color	Plating	Packing-	Option-	Status-
UFH-	1- [A] A TYPE	[1] MALE	4	[0] BLACK [12] BEIGE	[T1] SELECTIVE GOLD PLATED 1u" [T30] SELECTIVE GOLD PLATED 30u"	[G] BAG [X] BOX [R] REEL [U] TUBE [Y] TRAY		[R]RoHS

# USB CONNECTOR, FOR CABLE, A TYPE, MALE, 4 PINS, HOUSING+TERMINAL

## Material and Finish

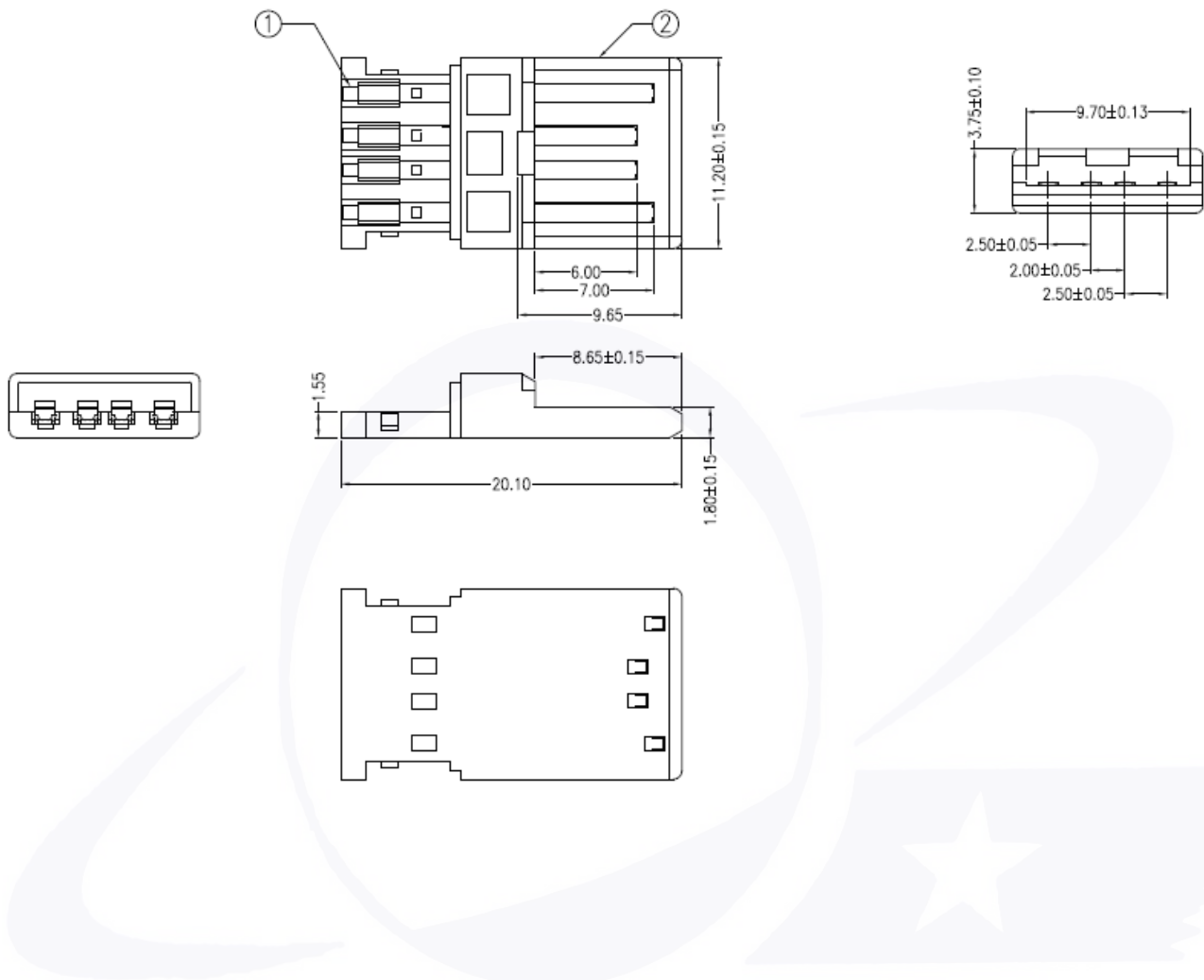
Housing: Thermoplastics, G.F. 30%, UL94V-0, Black.

Terminal: Copper Alloy (t=2.0)

Contact area: Au or G.F.

Solder area: Sn 100u"

Under-plating: Ni 50u"

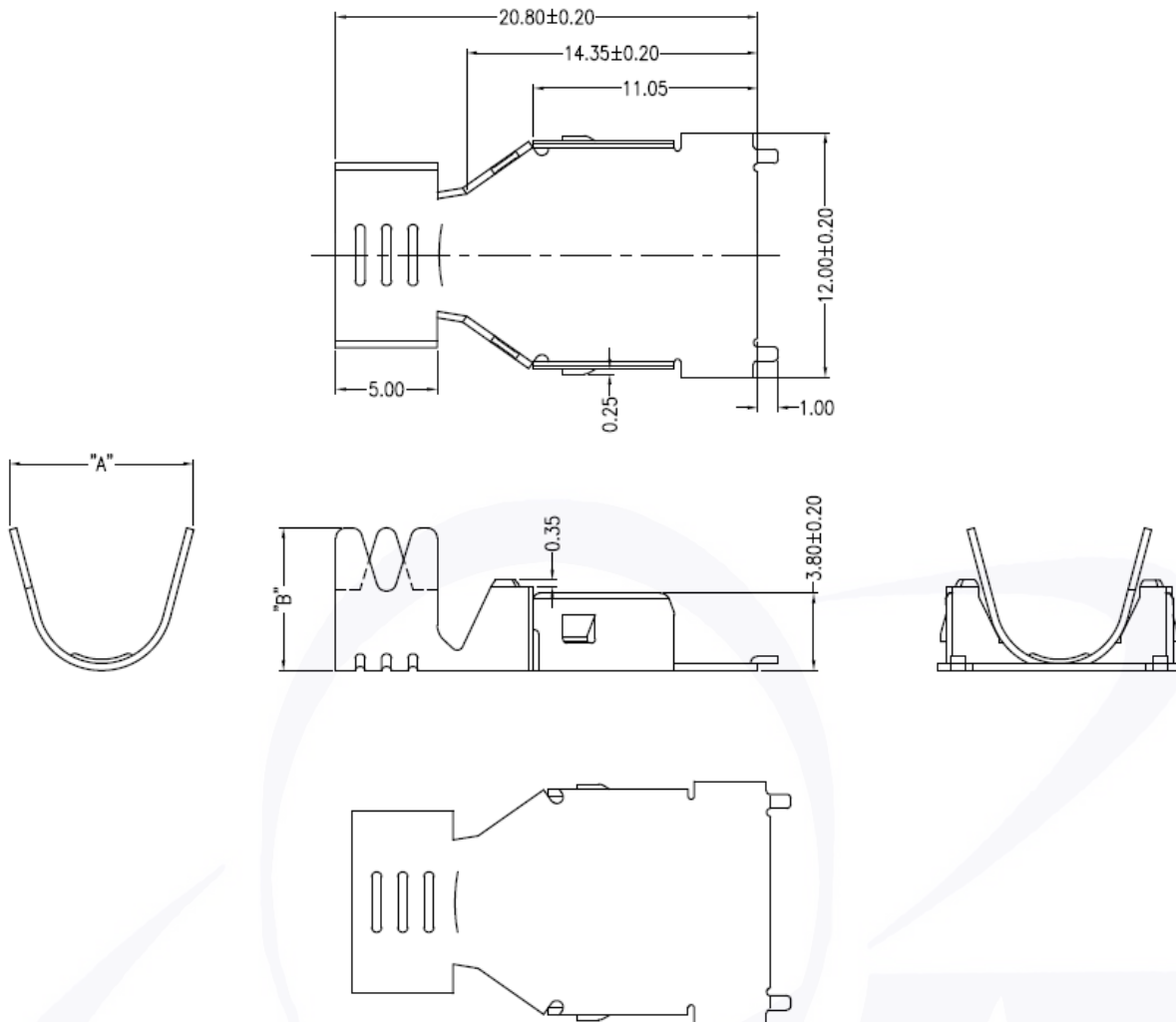


Series-	Type	Style	No. Pins	Insulator Color	Plating	Packing-	Option-	Status-
UHT-	1- [A] A TYPE	[1] MALE	4	[0] BLACK	[T1] SELECTIVE GOLD PLATED 1u" [T30] SELECTIVE GOLD PLATED 30u"	[G] BAG [X] BOX [R] REEL [U] TUBE [Y] TRAY		[R]RoHS

# USB CONNECTOR, FOR CABLE, A TYPE, MALE, 4 PINS , REAR SHELL

## Material

Rear Shell: Steel (t=0.35)



Series-	Type	Style	No. Pins	Insulator Color	Plating	Packing-	Option-	Status-
URH-	1- [A] A TYPE	[1] MALE	4	[0] BLACK [12] BEIGE	[T1] SELECTIVE GOLD PLATED 1u" [T30] SELECTIVE GOLD PLATED 30u"	[G] BAG [X] BOX [R] REEL [U] TUBE [Y] TRAY		[R]RoHS