

**DVI CONNECTOR, PCB DIP TYPE, 24+1 PINS, FEMALE, RIGHT ANGLE**

**Material**

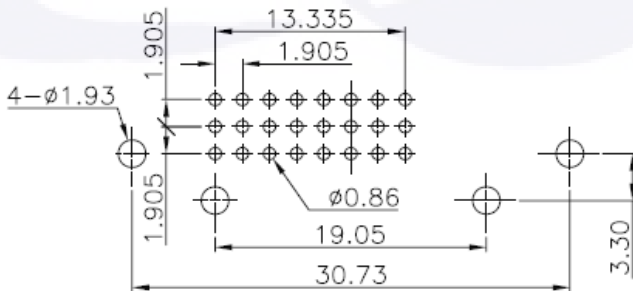
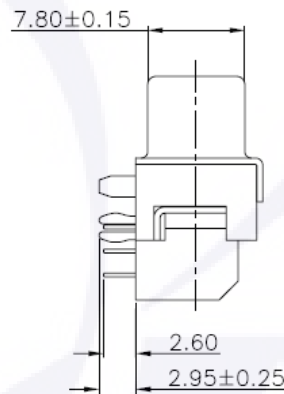
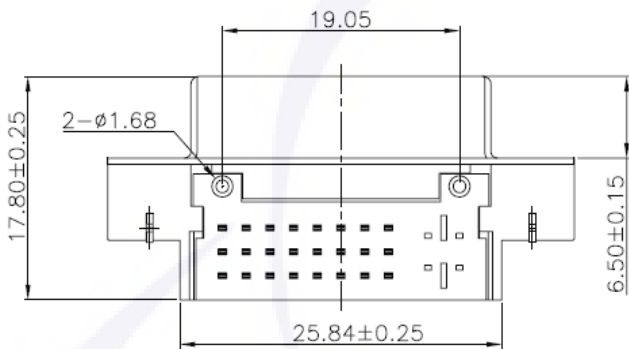
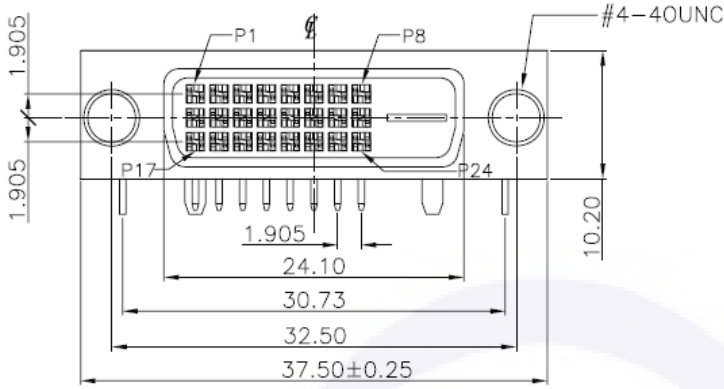
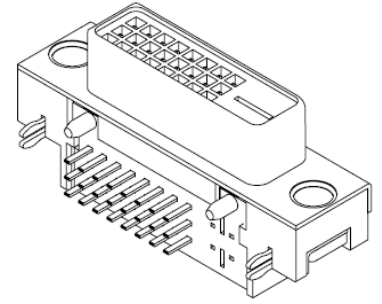
Body & Latch: NY66 rated.  
 Contacts: Brass  
 Shell: SPCC  
 Leg: Brass  
 Rivet: Brass  
 Contact plating: Gold plating over Nickel

**Electrical**

Current rating: 1.5A  
 Voltage rating: 40V  
 Contact resistance: 30M ohms Max.  
 Insulation resistance: 1000M ohms Min 500V DC.  
 Dielectric Withstanding Voltage: 500V AC.

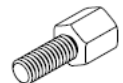
**Environmental**

Operating temperature: -20°C~80°C



RECOMMENDED PCB LAYOUT

NO.	NUT SPC
1	4.75*11.80 L=4.80
2	4.75*11.80 L=5.80
3	4.75*13.00 L=4.80
4	4.75*13.00 L=5.80



Series-	NO. Pins	Type	Angle	Screw	Color	Plating-	Option-
DVP-	1- [1] 25	[2] FEMALE	[R] 90°	[0] W/O SCREW [1] W/ SCREW LOCKED [2] W/ SCREW UNLOCKED	[1] WHITE	[T1] SELECTIVE GOLD PLATED 1u" [G1] FULL GOLD PLATED 1u"	[1] 4.75*11.80, L=4.80 [2] 4.75*11.80, L=5.80 [3] 4.75*13.00, L=4.80 [4] 4.75*13.00, L=5.80

## DVI CONNECTOR, SOLDER TYPE, 24+1 PINS, MALE, STRAIGHT

### Material

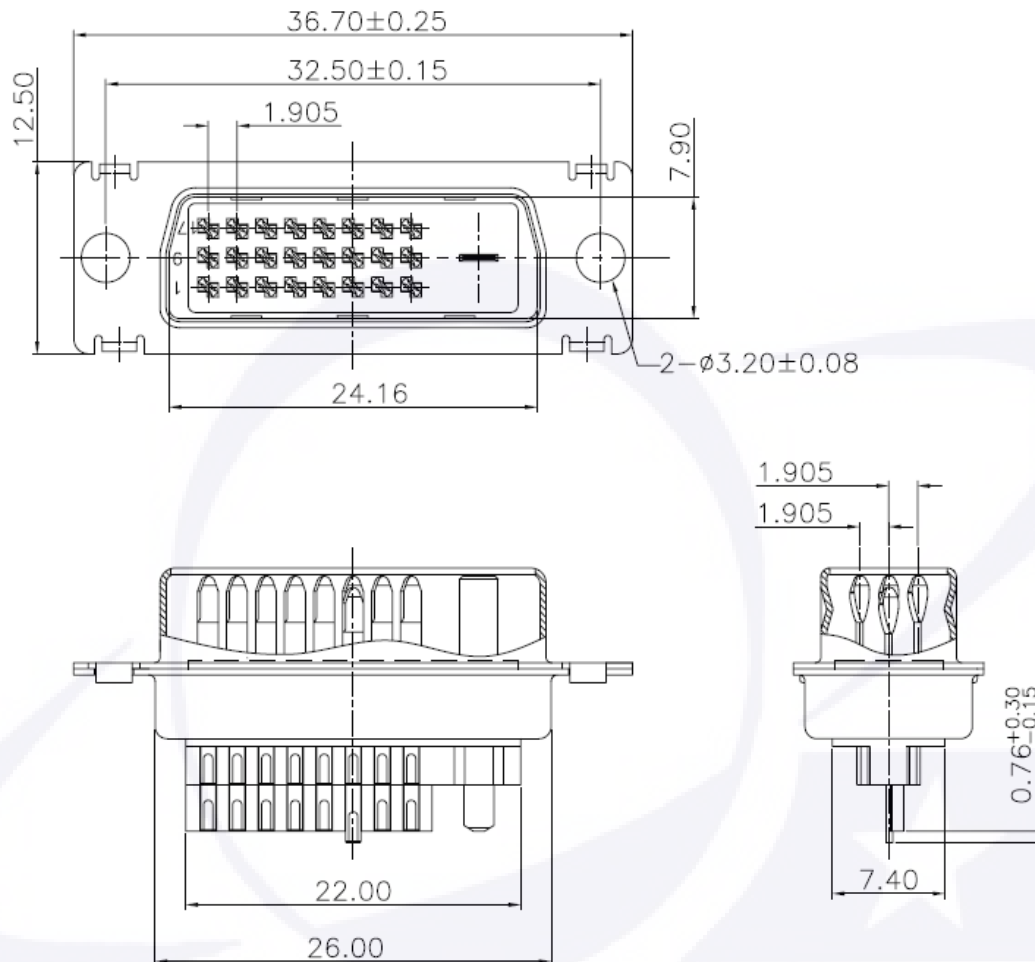
Insulator: PBT +30% GF  
 Contact: Brass  
 Shell: SPCD  
 Contact Plating: Gold plating over Nickel

### Electrical

Current rating: 1.5A  
 Voltage rating: 40V  
 Contact resistance: 30M ohms Max.  
 Insulation resistance: 1000M ohms Min 500V DC.  
 Dielectric Withstanding Voltage: 500V AC.

### Environmental

Operating temperature: -20°C~80°C



Series-	NO. Pins-	Type	Angle	Screw	Color	Plating-	Option-
DVS-	1- [1] 25	[1] MALE	[S] 180°	[0] W/O SCREW [1] W/ SCREW LOCKED [2] W/ SCREW UNLOCKED	[0] BLACK [1] WHITE	[T1] SELECTIVE GOLD PLATED 1u" [G1] FULL GOLD PLATED 1u"	

## DVI CONNECTOR, SOLDER TYPE, 24+5 PINS, FEMALE, STRAIGHT

### Material

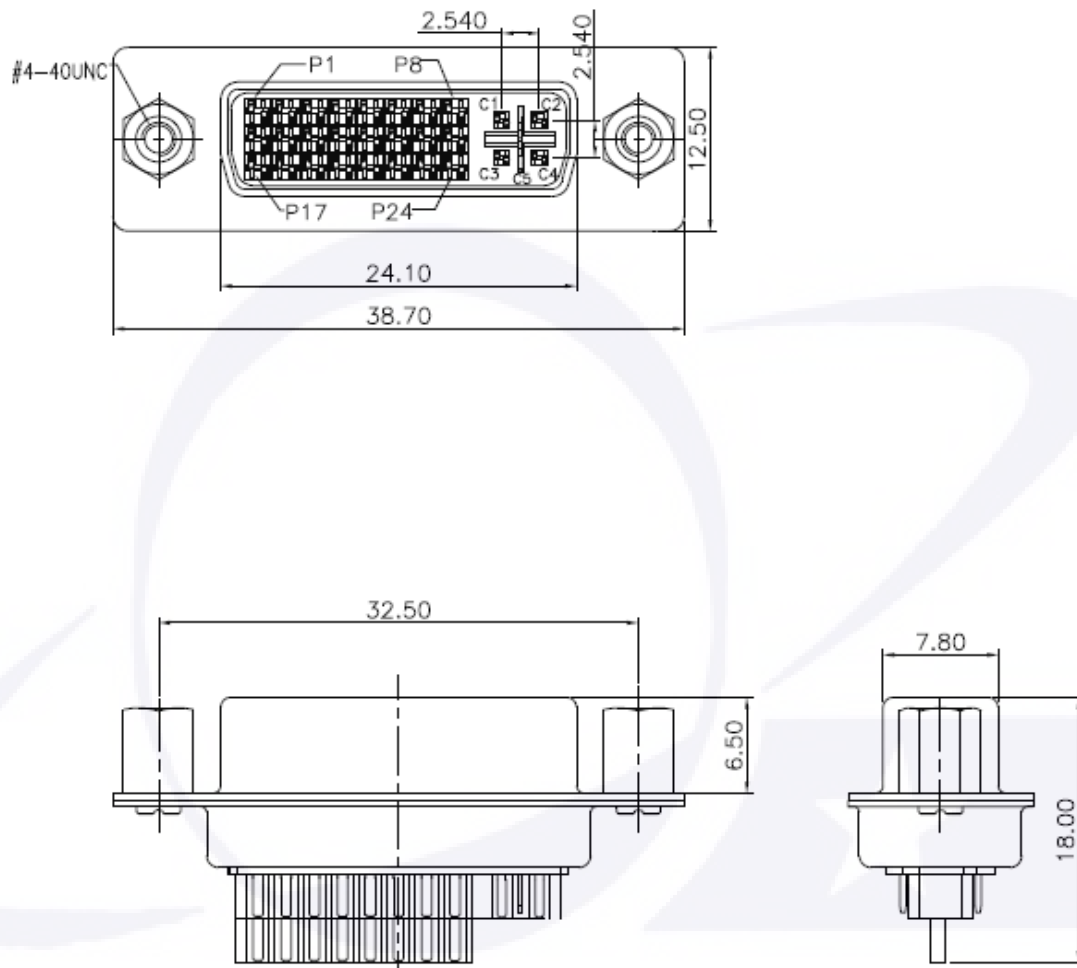
Body & Latch: NY66 Rated  
 Contacts: Phosphor Bronze  
 Ground Contact: Brass  
 Shell: SPCD  
 Rivet: Brass  
 Contact Plating: Gold Plating over Nickel

### Electrical

Current rating: 1.5A  
 Voltage rating: 40V  
 Contact resistance: 30M ohms Max.  
 Insulation resistance: 1000M ohms Min 500V DC.  
 Dielectric Withstanding Voltage: 500V AC.

### Environmental

Operating temperature: -20°C~80°C



Series-	NO. Pins-	Type	Angle	Screw	Color	Plating-	Option-
DVS-	2-	[2] 29	[2] FEMALE [S] 180°	[0] W/O SCREW [1] W/ SCREW LOCKED [2] W/ SCREW UNLOCKED	[0] BLACK [1] WHITE	[T1] SELECTIVE GOLD PLATED 1u" [G1] FULL GOLD PLATED 1u"	

## DVI CONNECTOR, SOLDER TYPE, 24+5 PINS, FEMALE, STRAIGHT

### Material

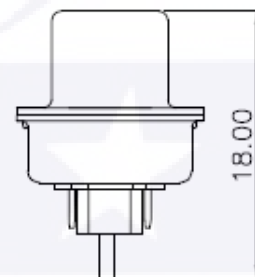
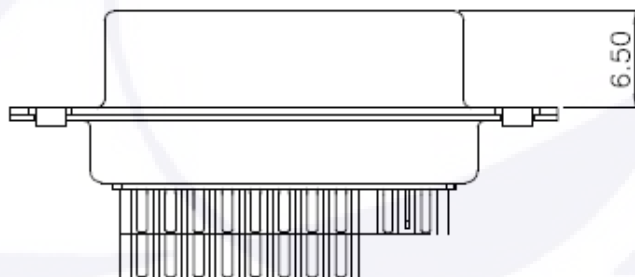
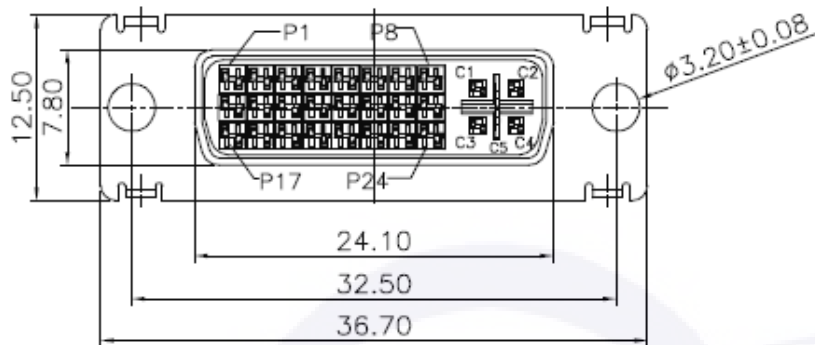
Body & Latch: PBT  
 Numberal Contacts: Phosphor Bronze  
 Ground Contact: Brass  
 Shell: SPCD  
 Rivet: Brass  
 Contact Plating: Gold Plating over Nickel

### Electrical

Current rating: 1.5A  
 Voltage rating: 40V  
 Contact resistance: 30M ohms Max.  
 Insulation resistance: 1000M ohms Min 500V DC.  
 Dielectric Withstanding Voltage: 500V AC.

### Environmental

Operating temperature: -20°C~80°C



Series-	NO. Pins-	Type	Angle	Screw	Color	Plating-	Option-
DVS-	1-	[2] 29	[1] MALE [S] 180°	[0] W/O SCREW [1] W/ SCREW LOCKED [2] W/ SCREW UNLOCKED	[0] BLACK [1] WHITE	[T1] SELECTIVE GOLD PLATED 1u" [G1] FULL GOLD PLATED 1u"	

## DVI CONNECTOR, SOLDER TYPE, 24+5 PINS, MALE, STRAIGHT

### Material

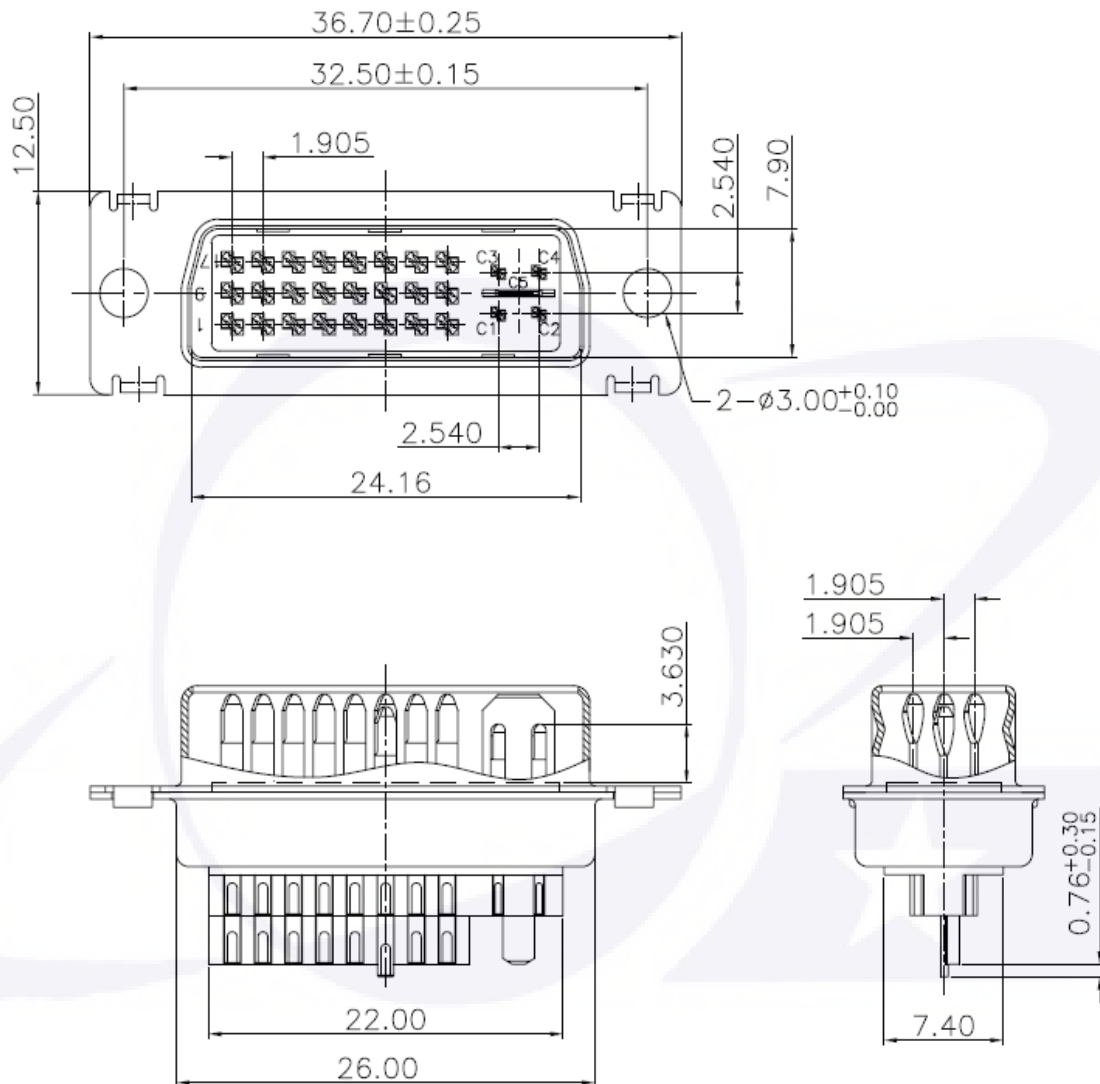
Insulator: PBT +30% GF  
 Contact: Brass  
 Shell: SPCD  
 Contact Plating: Gold plating over Nickel

### Electrical

Current rating: 1.5A  
 Voltage rating: 40V  
 Contact resistance: 30M ohms Max.  
 Insulation resistance: 1000M ohms Min 500V DC.  
 Dielectric Withstanding Voltage: 500V AC.

### Environmental

Operating temperature: -20°C~80°C



Series-	NO. Pins-	Type	Angle	Screw	Color	Plating-	Option-
DVS-	1-	[2] 29	[1] MALE	[S] 180°	[0] W/O SCREW [1] W/ SCREW LOCKED [2] W/ SCREW UNLOCKED	[0] BLACK [T1] SELECTIVE GOLD PLATED 1u" [1] WHITE [G1] FULL GOLD PLATED 1u"	

**DVI CONNECTOR, PCB DIP TYPE, 24+5 PINS, FEMALE, RIGHT ANGLE**

**Material**

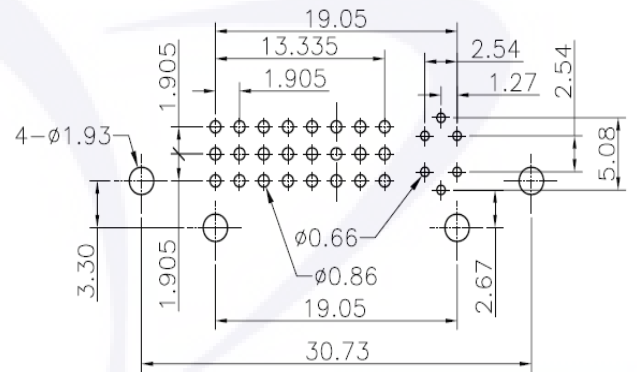
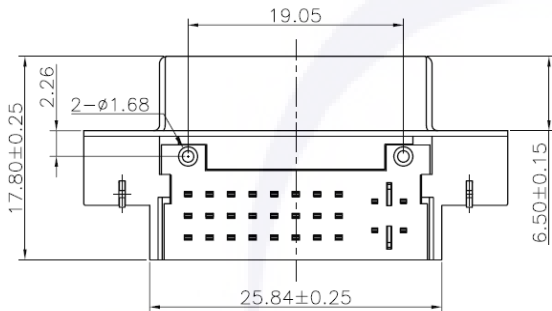
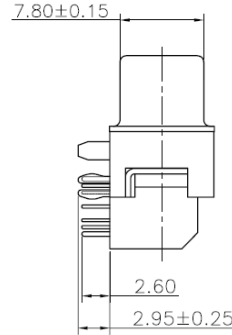
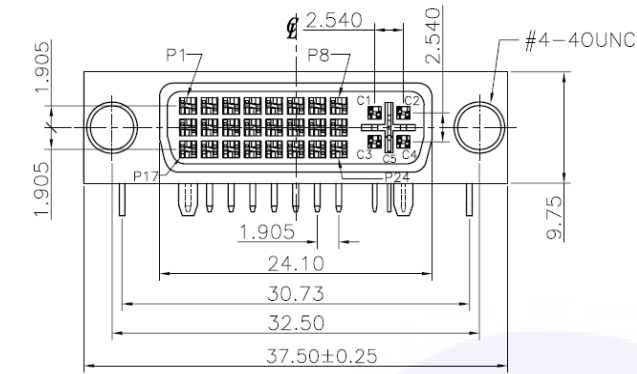
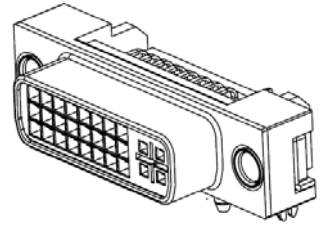
Body & Latch: NY66 rated.  
 Numeral contacts: Brass  
 Ground contacts: Brass  
 Shell: SPCC  
 Leg: Brass  
 Rivet: Brass  
 Contact plating: Gold plating over Nickel

**Electrical**

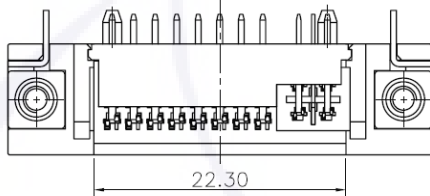
Current rating: 1.5A  
 Voltage rating: 40V  
 Contact resistance: 30M ohms Max.  
 Insulation resistance: 1000M ohms Min 500V DC.  
 Dielectric Withstanding Voltage: 500V AC.

**Environmental**

Operating temperature: -20°C~80°C



RECOMMENDED PCB LAYOUT



NO.	NUT SPC
1	4.75*11.80 L=4.80
2	4.75*11.80 L=5.80
3	4.75*13.00 L=4.80
4	4.75*13.00 L=5.80



Series-	NO. Pins-	Type	Angle	Screw	Color	Plating-	Option-
DVP-	1- [2] 29	[2] FEMALE	[R] 90°	[0] W/O SCREW [1] W/ SCREW LOCKED [2] W/ SCREW UNLOCKED	[1] WHITE	[T1] SELECTIVE GOLD PLATED 1u" [G1] FULL GOLD PLATED 1u"	[1] 4.75*11.80, L=4.80 [2] 4.75*11.80, L=5.80 [3] 4.75*13.00, L=4.80 [4] 4.75*13.00, L=5.80

## DVI CONNECTOR, PCB DIP TYPE, 24+1 PINS, FEMALE, STRAIGHT

### Material

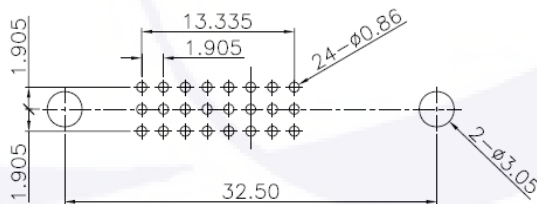
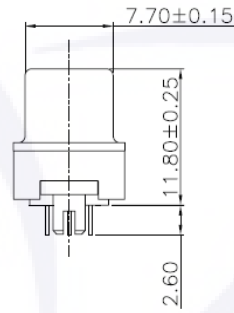
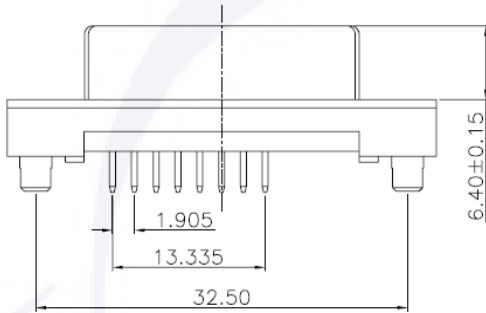
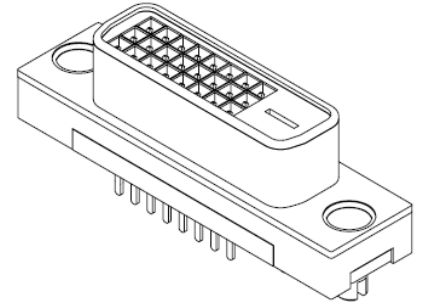
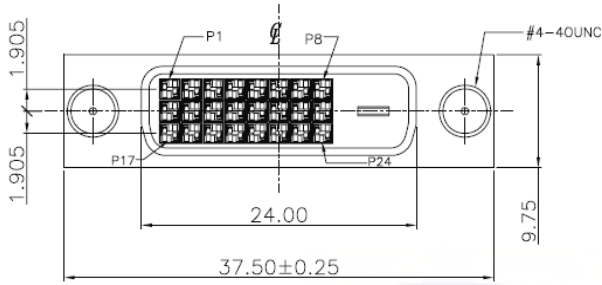
Body & Latch: NY66 rated.  
 Contacts: Phosphor Bronze.  
 Shell: Zinc Alloy.  
 Rivet: Brass  
 Contact plating: Gold plating over Nickel.

### Electrical

Current rating: 1.5A  
 Voltage rating: 40V  
 Contact resistance: 30M ohms Max.  
 Insulation resistance: 1000M ohms Min 500V DC.  
 Dielectric Withstanding Voltage: 500V AC.

### Environmental

Operating temperature: -20°C~80°C



RECOMMENDED PCB LAYOUT

Series-	NO. Pins-	Type	Angle	Screw	Color	Plating-	Option-
DVP-	1- [1] 25	[2] FEMALE	[S] 180°	[0] W/O SCREW [1] W/ SCREW LOCKED [2] W/ SCREW UNLOCKED	[1] WHITE	[T1] SELECTIVE GOLD PLATED 1u" [G1] FULL GOLD PLATED 1u"	

## DVI CONNECTOR, PCB DIP TYPE, 24+5 PINS, FEMALE, STRAIGHT

### Material

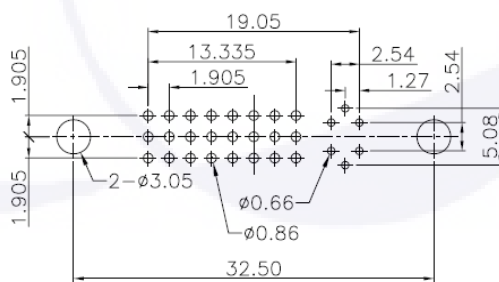
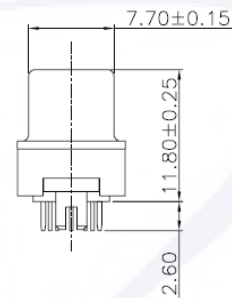
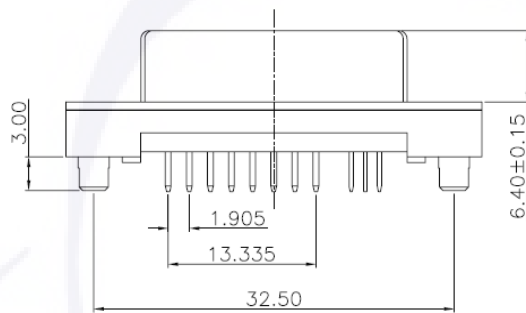
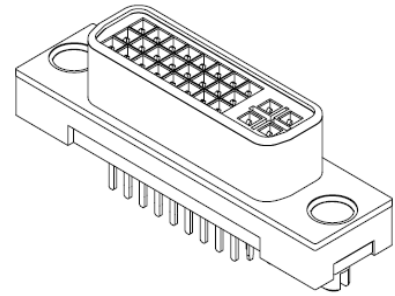
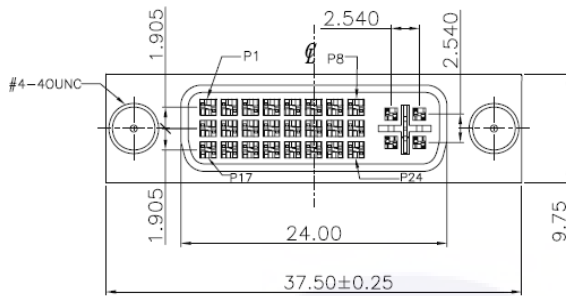
Body & Latch: NY66 rated.  
 Contacts: Phosphor Bronze.  
 Ground Contact: Brass  
 Shell: Zinc Alloy.  
 Rivet: Brass  
 Contact plating: Gold plating over Nickel.

### Electrical

Current rating: 1.5A  
 Voltage rating: 40V  
 Contact resistance: 30M ohms Max.  
 Insulation resistance: 1000M ohms Min 500V DC.  
 Dielectric Withstanding Voltage: 500V AC.

### Environmental

Operating temperature: -20°C~80°C



RECOMMENDED PCB LAYOUT

Series-	NO. Pins-	Type	Angle	Screw	Color	Plating-	Option-
DVP-	1- [2] 29	[2] FEMALE [S]	180°	[0] W/O SCREW [1] W/ SCREW LOCKED [2] W/ SCREW UNLOCKED	[1] WHITE	[T1] SELECTIVE GOLD PLATED 1u" [G1] FULL GOLD PLATED 1u"	