

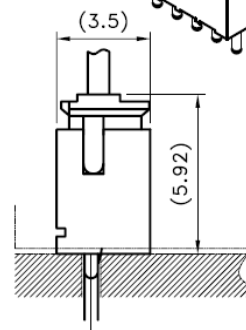
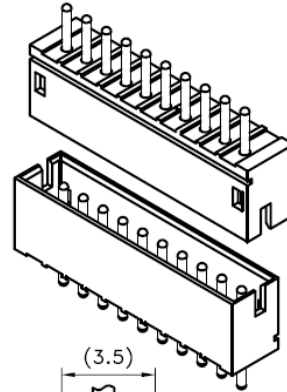
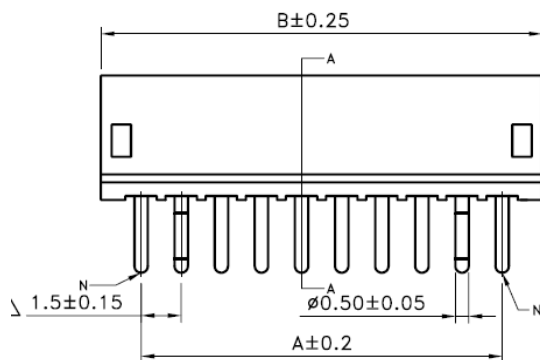
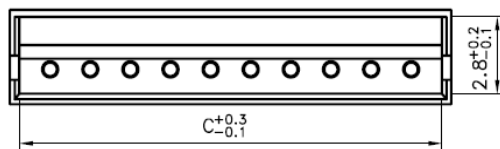
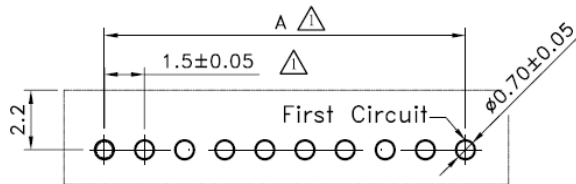
WAFER CONNECTOR, PITCH 1.50, DIP, STRAIGHT, SINGLE ROW, CRIMP STYLE

Material and Finish

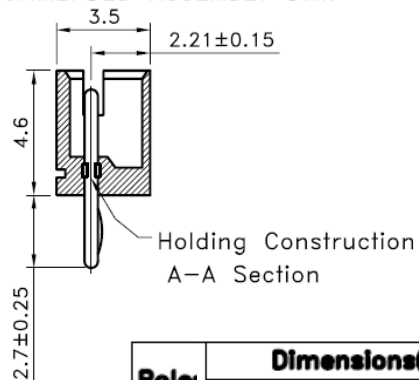
Material PAN: PA46 UL94V-0, Color Nature
 Tin Plated , Ni>30u", Sn>100u"
 Q'ty: 1,000 pcs/ Tape & Reel

Electrical

Current Rating: 1A AC/DC
 Withstanding Voltage: 500V AC/Minute
 Insulation Resistance: 500M ohms Min.
 Temperature Range: -25°C to +85°C
 Contact Resistance: 20m ohms Max.



RECOMMENDED ASSEMBLY DIM.



Pole:	Dimensions(mm)		
	A	B	C
2	1.50	4.50	3.60
3	3.00	6.00	5.10
4	4.50	7.50	6.60
5	6.00	9.00	8.10
6	7.50	10.50	9.60
7	9.00	12.00	11.10
8	10.50	13.50	12.60
9	12.00	15.00	14.10
10	13.50	16.50	15.60
11	15.00	18.00	17.10
12	16.50	19.50	18.60
13	18.00	21.00	20.10

Series	Free Code	Pitch	Style	Plating
WFC	1-	[C] 1.50mm	[S] 180°DIP	[T0] TIN PLATED