

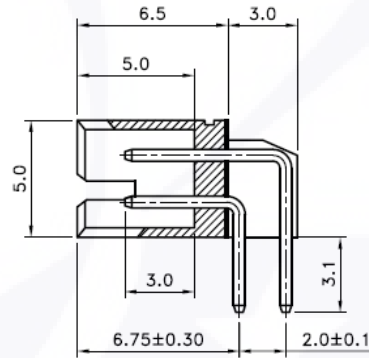
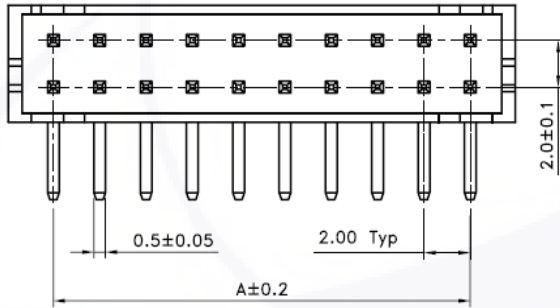
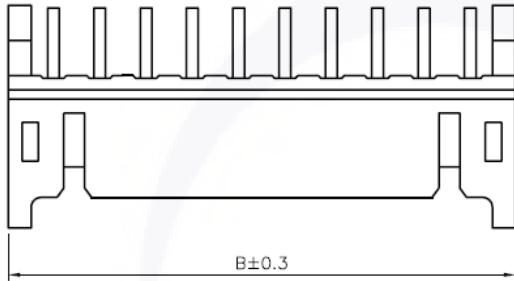
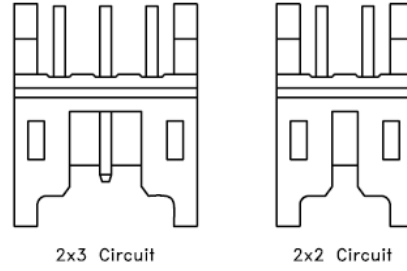
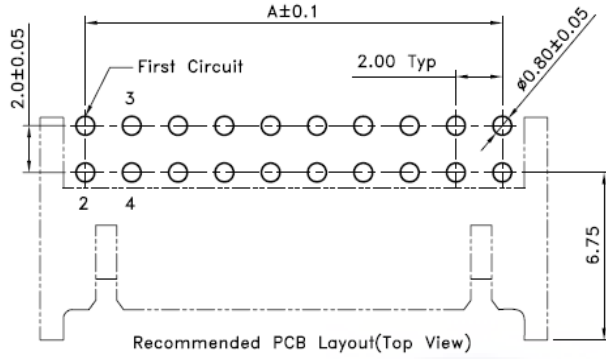
WAFER CONNECTOR, PITCH 2.00, DIP RIGHT ANGLE, DUAL ROWS, CRIMP STYLE

Material and Finish

Contact: Brass, Tin Plated.
Base: Nylon 66 UL94V-0

Electrical

Voltage Rating: 250V AC/DC
Current Rating: 3A AC/DC
Withstanding Voltage: 800V AC/Minute
Insulation Resistance: 1,000M ohms Min.
Temperature Range: -25°C to +85°C
Contact Resistance: 20m ohms Max.



Poles	Dimensions(mm)	
	A	B
3x2	4.00	8.00
4x2	6.00	10.00
5x2	8.00	12.00
6x2	10.00	14.00
7x2	12.00	16.00
8x2	14.00	18.00
9x2	16.00	20.00
10x2	18.00	22.00
11x2	20.00	24.00
12x2	22.00	26.00
13x2	24.00	28.00
14x2	26.00	30.00
15x2	28.00	32.00
16x2	30.00	34.00

Series	Free Code	Pitch	Style	Plating
WFC	1-	[D] 2.00mm	[R] 90°/DIP	[T0] TIN PLATED