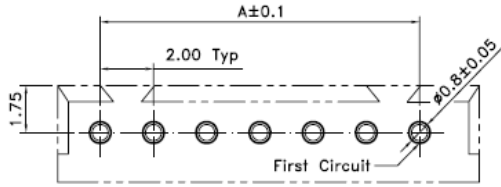


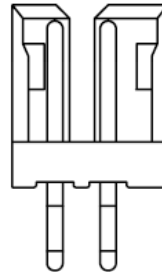
WAFER CONNECTOR, PITCH 2.00, DIP STRAIGHT, SINGLE ROW, CRIMP STYLE

Material and Finish
 Contact: Brass, Tin Plated.
 Base: Nylon 66 UL94V-0

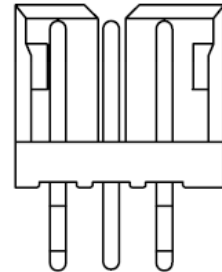
Electrical
 Voltage Rating: 125V AC/DC
 Current Rating: 2A AC/DC
 Withstanding Voltage: 800V AC/Minute
 Insulation Resistance: 1,000M ohms Min.
 Temperature Range: -25°C to +85°C
 Contact Resistance: 20m ohms Max.



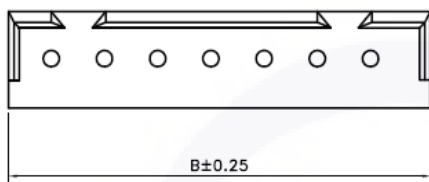
Recommend PCB Layout(Top View)



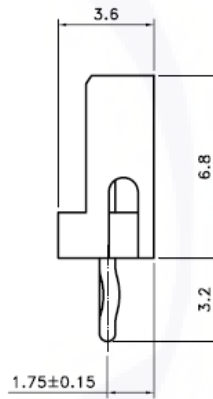
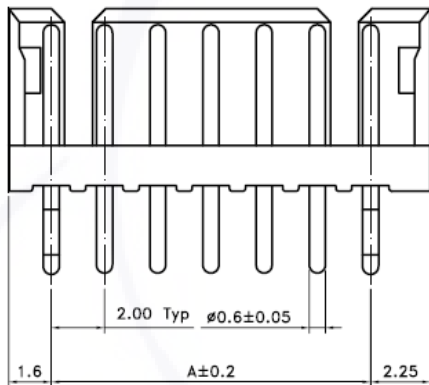
2 Circuit



3 Circuit



4~15 Circuit



Poles	Dimensions	
	A	B
2	2.00	5.85
3	4.00	7.85
4	6.00	9.85
5	8.00	11.85
6	10.00	13.85
7	12.00	15.85
8	14.00	17.85
9	16.00	19.85
10	18.00	21.85
11	20.00	23.85
12	22.00	25.85
13	24.00	27.85
14	26.00	29.85
15	28.00	31.85

Series	Free Code	Pitch	Style	Plating
WFO	1-	[D] 2.00mm	[S] 180° DIP	[T0] TIN PLATED